

THIS DRAWING IS UNPUBLISHED.

RELEASED FOR PUBLICATION

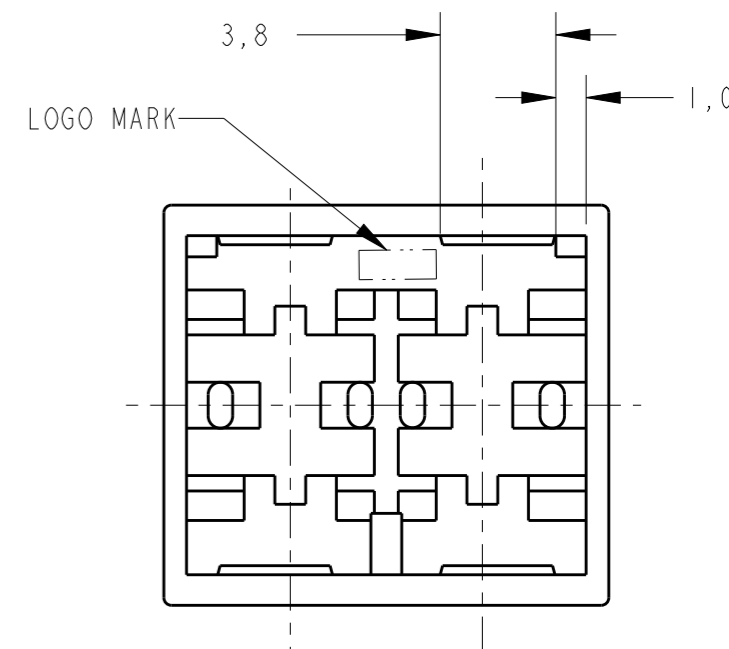
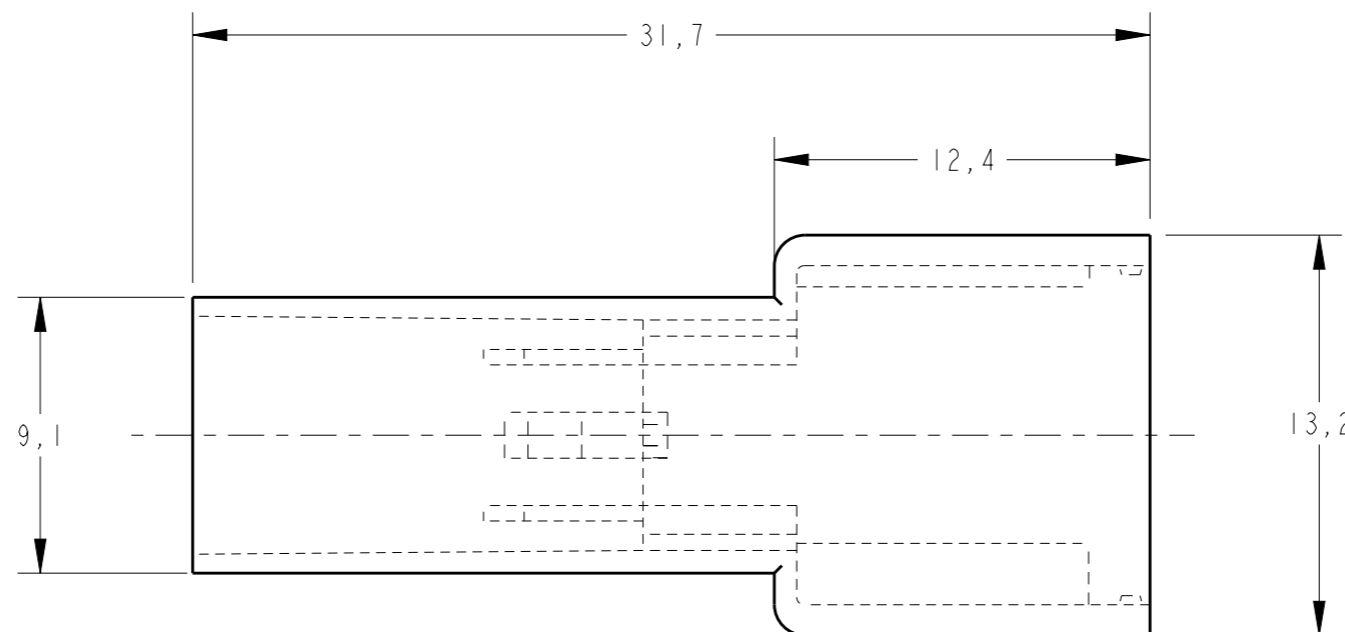
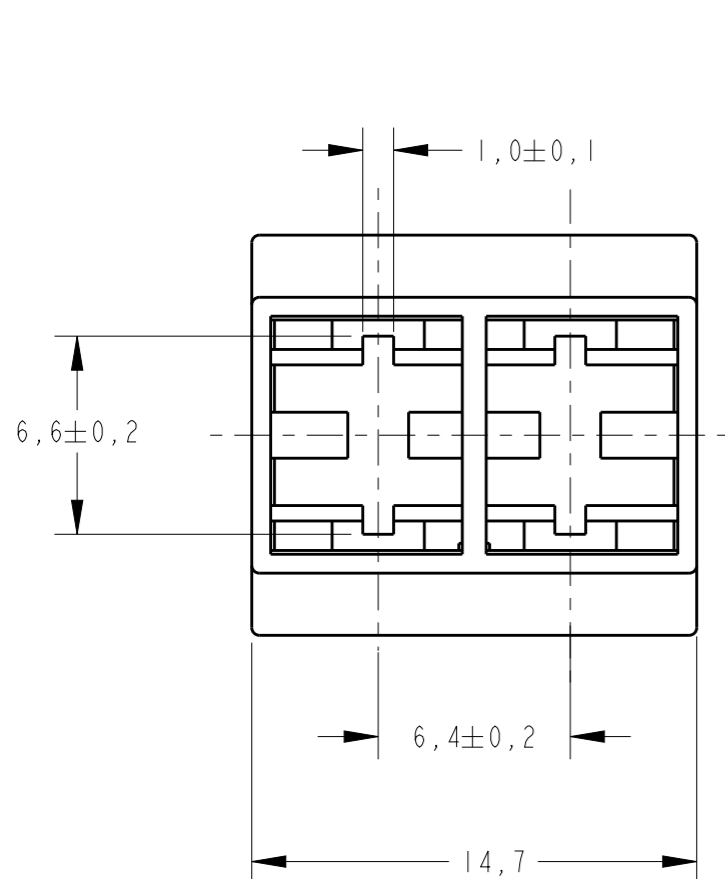
20

© COPYRIGHT 20 BY -

ALL RIGHTS RESERVED.

REVISIONS

P	LTR	DESCRIPTION	DATE	DWN	APVD
D2		REV. BY ECO 16-006304	29APR2016	HC	WLS
D3		REV. BY ECO 17-000292	10JAN2017	HC	WLS



1-INTERCHANGEABLE WITH PN-180924.

△2-PA 6.6 HEAT STABILIZED.

△3-PA 6.6 ACC. TO SPEC. IEC 60335-1 GWT 750C WITHOUT FLAME.

NATURAL	△3	1-880298-1
BLACK	△2	1-880298-0
VIOLET	PA 6.6	880298-9
GRAY	PA 6.6	880298-8
BROWN	PA 6.6	880298-7
BLACK	PA 6.6	880298-6
YELLOW	PA 6.6	880298-5
BLUE	PA 6.6	880298-4
GREEN	PA 6.6	880298-3
RED	PA 6.6	880298-2
NATURAL	PA 6.6	880298-1
FINISH	MATERIAL	PART NUMBER

OBSOLETE

THIS DRAWING IS A CONTROLLED DOCUMENT.

DWN 27APR2016 H.C.CANTERI

CHK 28APR2016 W.L.STEFANI

APVD -

PRODUCT SPEC -

APPLICATION SPEC -

WEIGHT -

CUSTOMER DRAWING

DIMENSIONS:

mm



TOLERANCES UNLESS OTHERWISE SPECIFIED:

- 0 PLC ±-
- 1 PLC ±0,4
- 2 PLC ±-
- 3 PLC ±-
- 4 PLC ±-
- ANGLES ±1°

MATERIAL -

FINISH -



TE Connectivity

NAME 2 WAY .250 FASTIN-ON TAB HOUSING

SIZE A3 CAGE CODE - DRAWING NO C-880298 RESTRICTED TO -

SCALE 4:1 SHEET 1 OF 1 REV D3