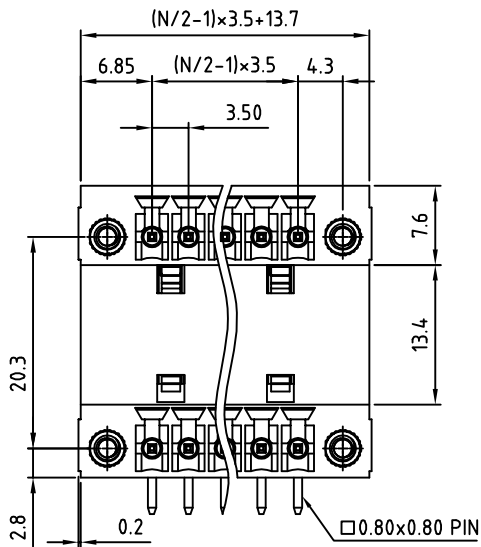
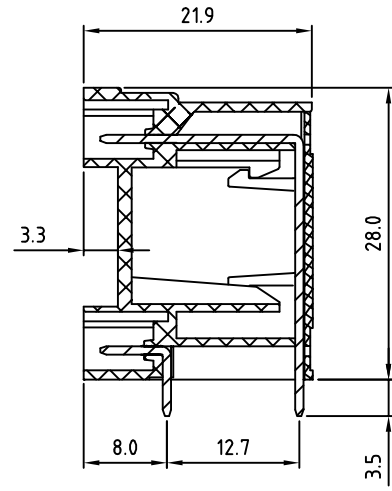


SIGN	DATE	DESCRIPTION	APPROVER
		<i>THIS IS CAD DRAWING, DO NOT REVISE MANUALLY!!!</i>	



N= Number of poles



**Material**

- Terminal body (Contact pin): Brass Whit Tin plated
- With flange nut : Brass
- Insulator (housing): Thermoplastic (UL94V-0)

**Electrical cULus**

- Voltage rating: 300VAC
- Current rating: 10A
- Withstanding Voltage: 1.6KV
- Operating temperature: -30°C to +105°C
- Soldering temperature: 250°C±10°C/5 Sec
- Safety Approval: US

RoHS Compliant

PART NUMBER:

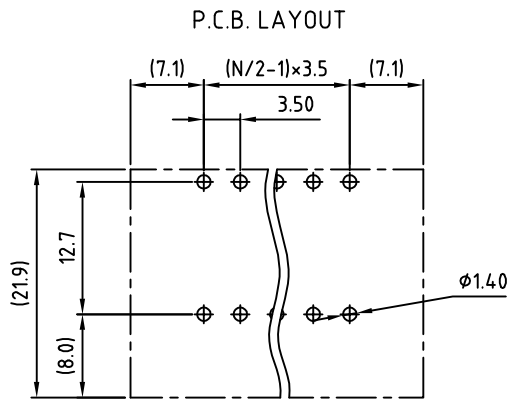
**OSTVLXX1251**

No. of Poles

- 04: 2x02 Poles
- 06: 2x03 Poles
- : :
- 48 2x24 Poles

COLOR

- 0: Black
- 5: Green (Standard)
- 6: Blue
- 8: Grey



THESE DRAWINGS AND SPECIFICATIONS ARE THE PROPERTY OF ON-SHORE TECHNOLOGY, INC. AND SHALL NOT BE REPRODUCED, COPIED OR USED IN ANY MANNER WITHOUT THE PRIOR WRITTEN CONSENT OF ON-SHORE TECHNOLOGY, INC.



TITLE		OSTVL-3.5mm Series with flange right-angle 2x2p-2x24p						
PART NO.		OSTVLXX1251		DWG NO.		OSTVLXX1251.DWG		
APPROVED	CHECKED	DESIGNED	DRAWN	CUST NO.		Tolerance		
Shi Jun 2006.10.23	Marvin 2006.10.23	Marvin 2006.10.23	Marvin 2006.10.23			UNIT: mm		
						SCALE: NONE		X.X
				SHEET: 01/01		REV: C	X.XX	±0.10
							X°	±1°