

PRODUCT NUMBER
10082202-YXX-XXLF

PLATING

1 = 0.76µm GOLD OR
0.76µm GXT (PdNi WITH
GOLD FLASH)
ON CONTACT AREA
2µm MATTE TIN ON TAIL

4 = 2µm MATTE TIN
ON CONTACT AREA
AND TAIL

8 = 0.38µm GOLD
ON CONTACT AREA
2µm MATTE TIN
ON TAIL

RoHS COMPATIBLE SEE NOTE 7

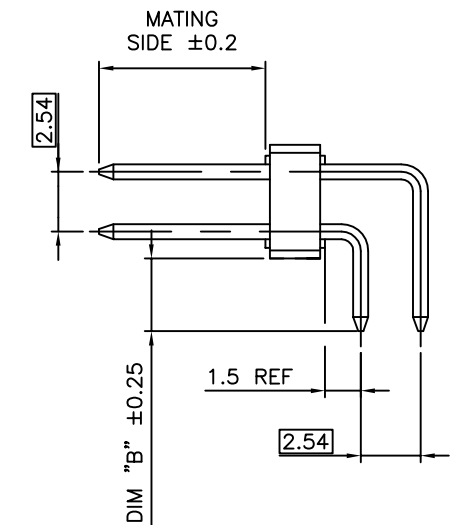
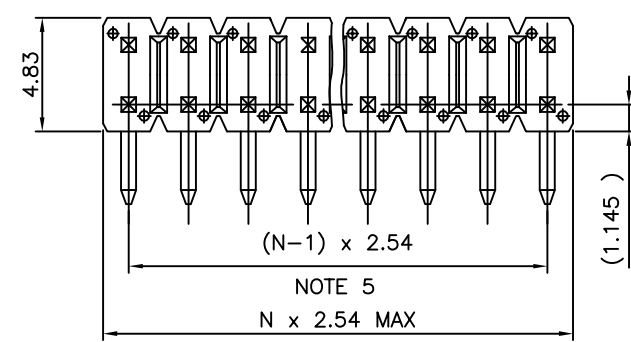
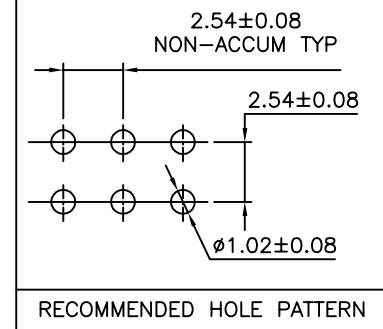
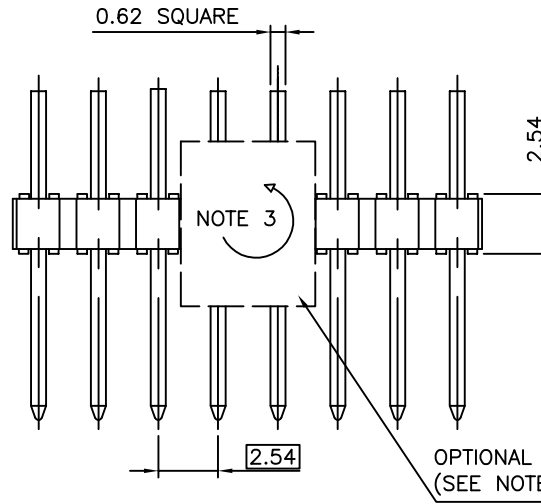
TOTAL NB OF POSITIONS
04 TO 72

PACKAGING NOTE 3.

PIN STYLE	DIM "B"	MATING SIDE
01	2.50	5.84
02	2.50	6.75
03	3.00	5.84
04	3.00	6.75
05	2.90	8.80

NOTES:

- HOUSING MAT'L : HIGH TEMPERATURE THERMOPLASTIC. UL94V-0 COLOR: BLACK
- PIN MATERIAL : PHOSPHOR BRONZE
- PACKAGING :
- = POLY BAGS
A = TAPE & REEL WITH CAP, AS AVAILABLE
- 9N MIN RETENTION IN EITHER DIRECTION
- TO DETERMINE DIMENSIONS :
N = NUMBER OF POSITIONS PER ROW
EXAMPLE : 8 POS N x 2.54 = 20.32mm
- UNDERPLATING : 1.27µm Ni MIN
- RoHS COMPATIBLE PRODUCT SPECIFICATIONS
 - PLATING:
- "LF" MEANS THE PRODUCT IS LEAD-FREE,
2µm MINIMUM MATTE TIN OVER 1.27µm
MINIMUM NICKEL UNDERPLATE.
 - MANUFACTURING PROCESS COMPATIBILITY
- THE HOUSING WILL WITHSTAND EXPOSURE TO 260°C PEAK TEMP
FOR 30 SECONDES IN A CONVECTION, INFRARED, OR VAPOR REFLOW OVEN
 - LABELING:
- MEETS PACKAGING SPECS AS PER GS-14-920
 - LEGAL STATEMENT: SEE GS-47-0004



mat'l. code SEE NOTES		surface ISO 1302	tolerance ISO 406 ISO 1101	projection	product family BERGSTIK
ltr	ecn no	dr	date	tolerances unless otherwise specified	title
A	F08-0104	LMU	08.01.15	angles .X ±0.3	UNSHR.HEADER RA DR PIN IN PASTE
B	F08-0129	LMU	08.02.22	linear .XX ±0.05	
C	F09-0072	JCO	09.07.23	.XXX ±0.05	scale 5:1
D	B-18990	LMU	14.10.06	dr L.MULIN 08.01.15	dwg no sheet 1 of 1 size 10082202 A3
E	B-20031	AMA	15.01.20	engr J.COMPAGNON 08.01.15	
F	F-23188	AMA	16.02.01	chr	type CUSTOMER Drawing
sheet index		revision sheet		FCJ	