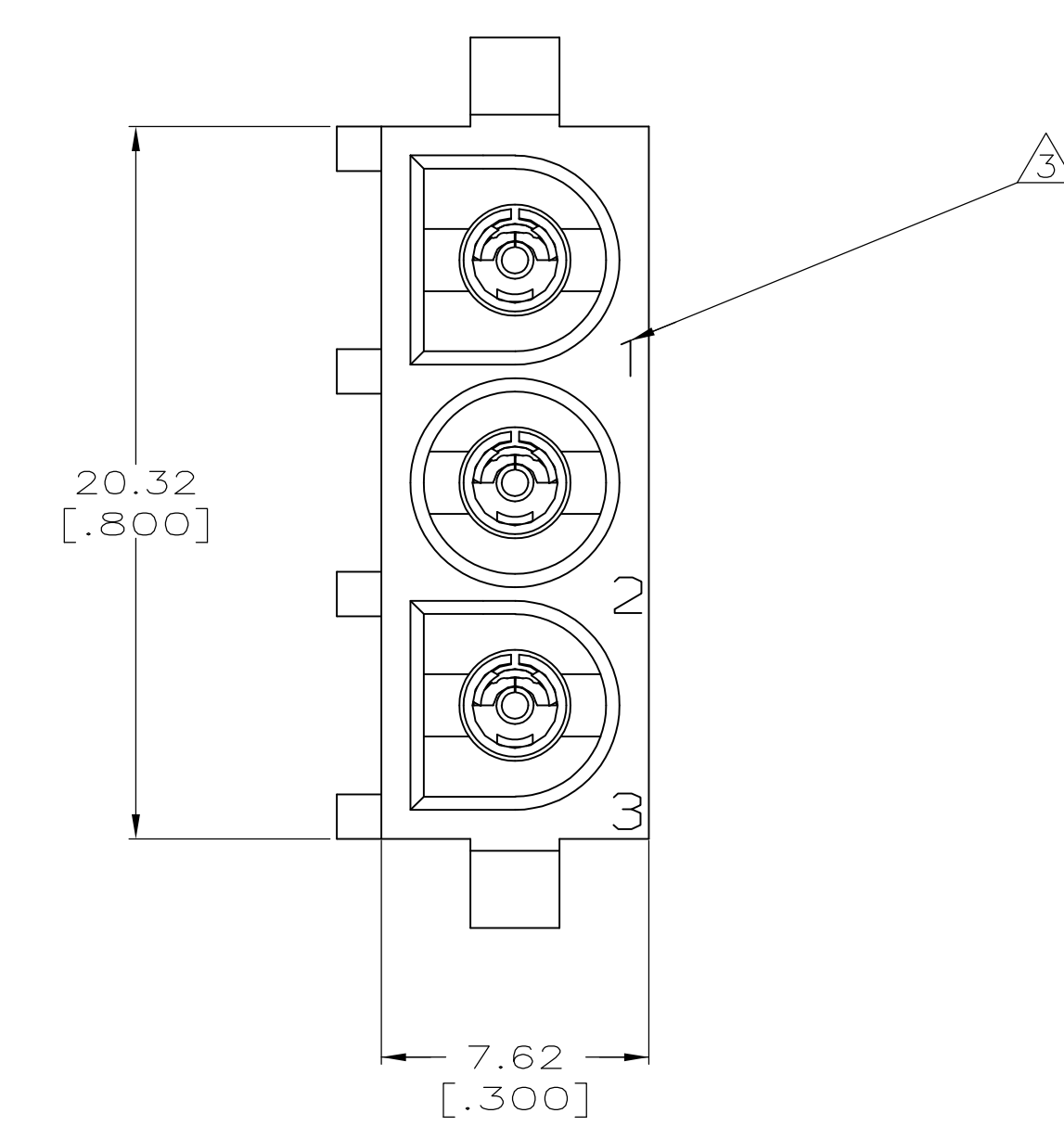
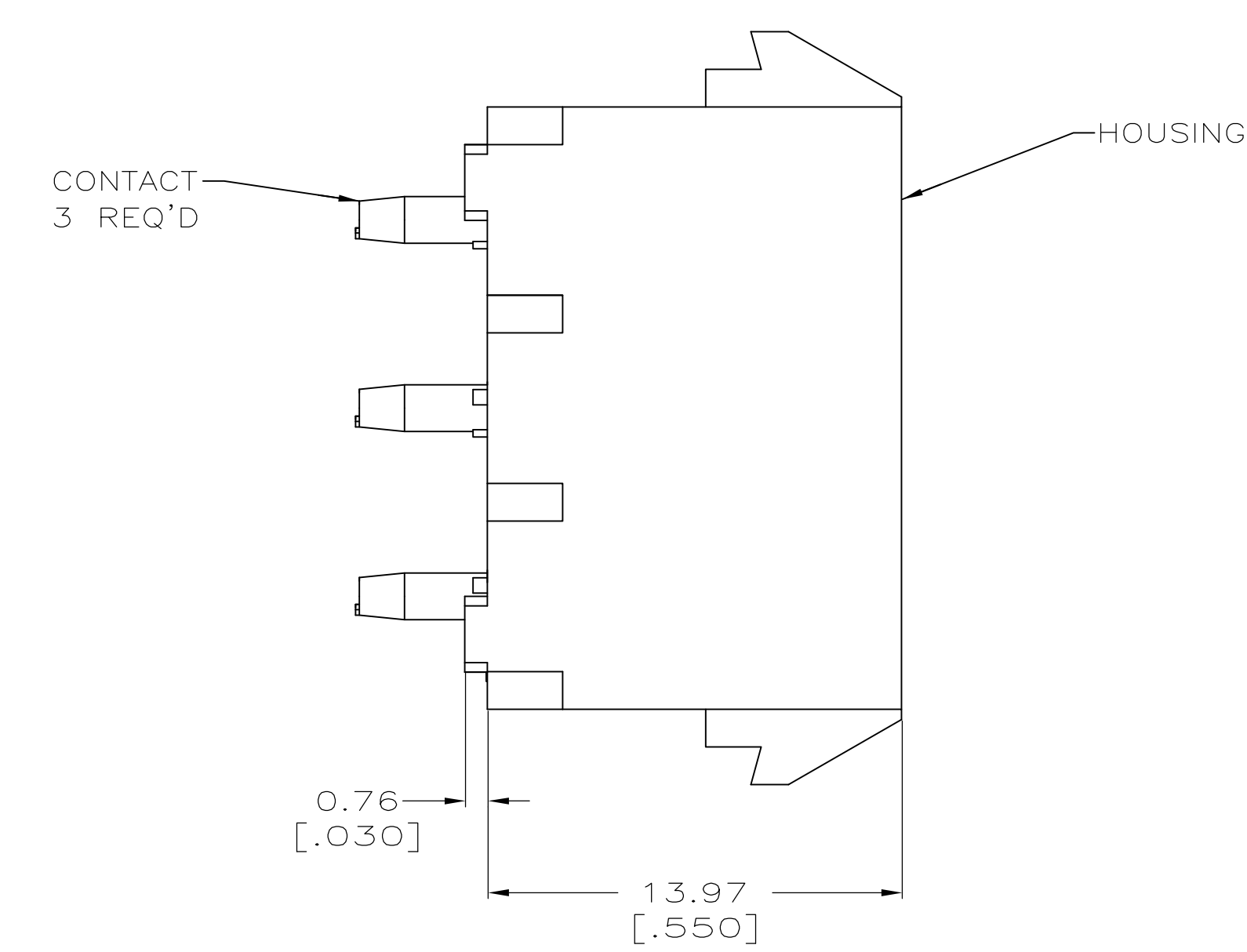
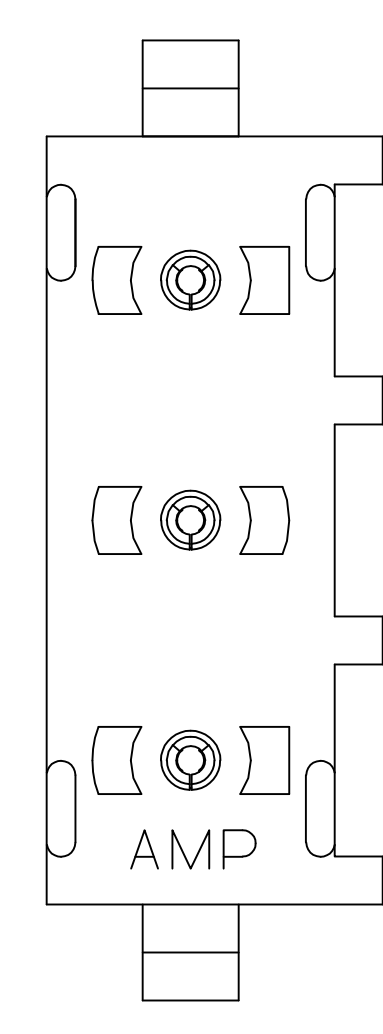
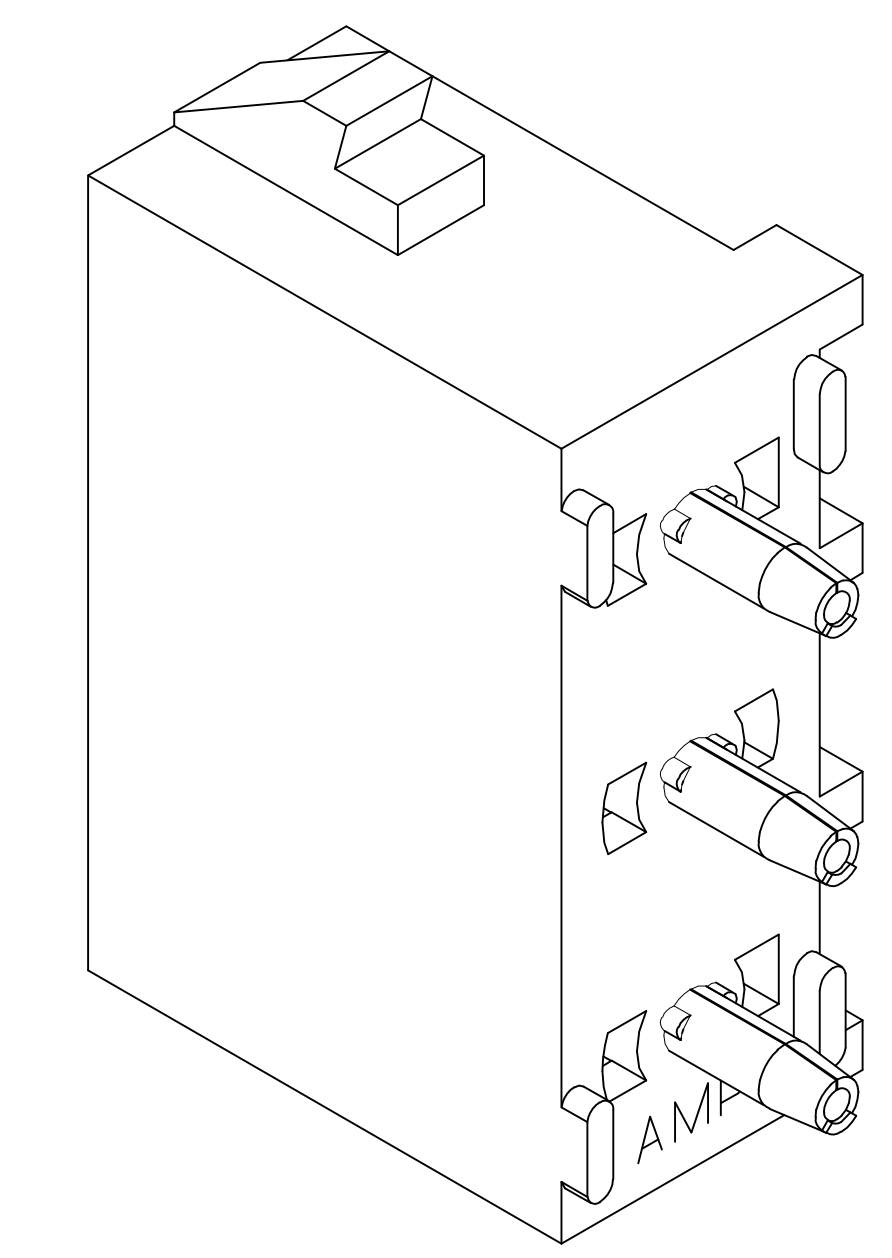
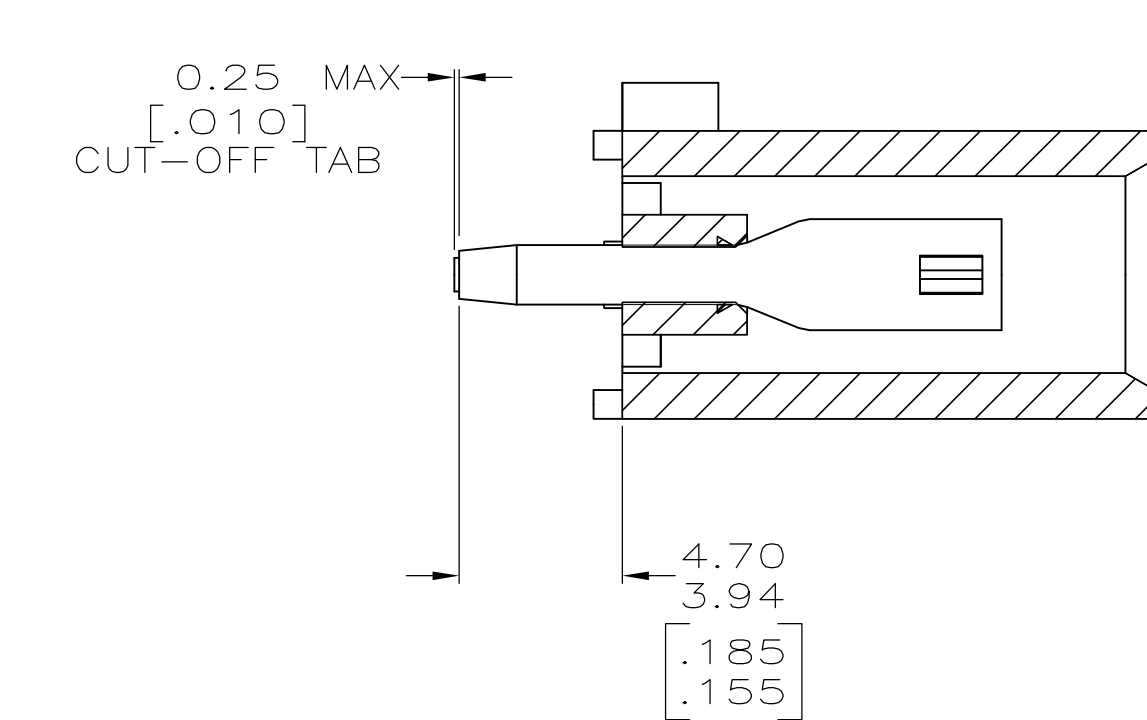


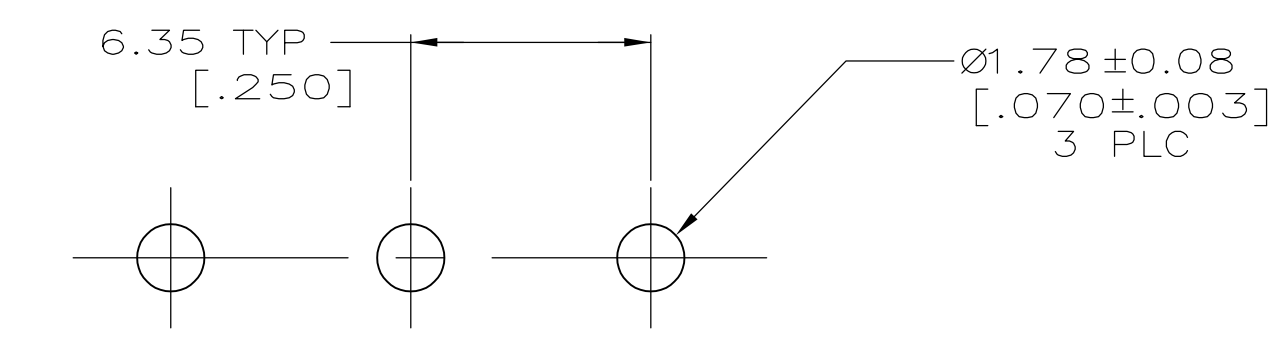
LOC		DIST		REVISIONS			
P	LTR	DESCRIPTION	DATE	DWN	APVD		
B		REV PER ECR 10-018921	13SEPT10	JR	TM		



- PARTS COMPLY TO TYCO ELECTRONICS SOLDERABILITY SPECIFICATION 109-11-2.
- DIMENSIONS IN BRACKETS ARE IN INCHES.
- CIRCUIT IDENTIFICATION CHARACTERS ARE ADJACENT TO THE INDICATED CAVITIES, BUT LOCATION AND ORIENTATION MAY DIFFER FROM PRINT.
- FLAMMABILITY V2 FOR THICKNESS 0.38mm, 1.5mm, and 3.0mm PER IEC 60695-11-10.
- GLOW-WIRE FLAMMABILITY (GWFI) 800°C FOR THICKNESS 0.38mm AND 0.75mm PER IEC 60695-2-12.
- GLOW-WIRE FLAMMABILITY (GWFI) 960°C FOR THICKNESS 1.5mm AND 3.0mm PER IEC 60695-2-12.
- GLOW-WIRE IGNITION (GWIT) 825°C FOR THICKNESS 0.38mm, 0.75mm, 1.5mm AND 3.0mm PER IEC 60695-2-13.

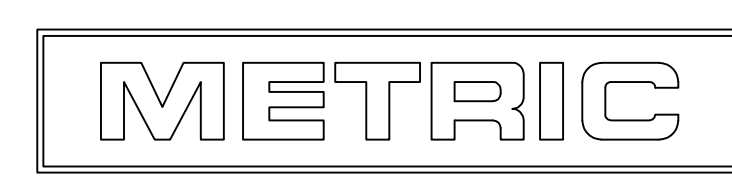


3-DIMENSIONAL MODEL NTS



RECOMMENDED MOUNTING HOLE PATTERN FOR 1.57 [.062] THICK P.C. BOARD

PHOSPHOR BRONZE, PRE-TIN	NYLON, UL94V-2, NATURAL	1586869-1
CONTACT MATERIAL AND FINISH	HOUSING MATERIAL	PART NUMBER



THIS DRAWING IS A CONTROLLED DOCUMENT.		DIN K. WHITAKER 12MAR2008	Tyco Electronics Corporation Greensboro, NC 27409
DIMENSIONS: mm [INCHES]		CHK D. COLEY 12MAR2008	
TOLERANCES UNLESS OTHERWISE SPECIFIED:		APVD D. COLEY 12MAR2008	NAME
0 PLC ± -			SOCKET HEADER ASSEMBLY, 3 CIRCUIT
1 PLC ± -			UNIVERSAL MATE-N-LOK(TM)
2 PLC ± 0.13 [.005]			APPLICATION SPEC
3 PLC ± -			SIZE
4 PLC ± -			CAGE CODE
ANGLES ± ± 0°30'			DRAWING NO
MATERIAL SEE TABLE	FINISH SEE TABLE	WEIGHT -	RESTRICTED TO
CUSTOMER DRAWING		SCALE 5:1	SHEET 1 OF 1