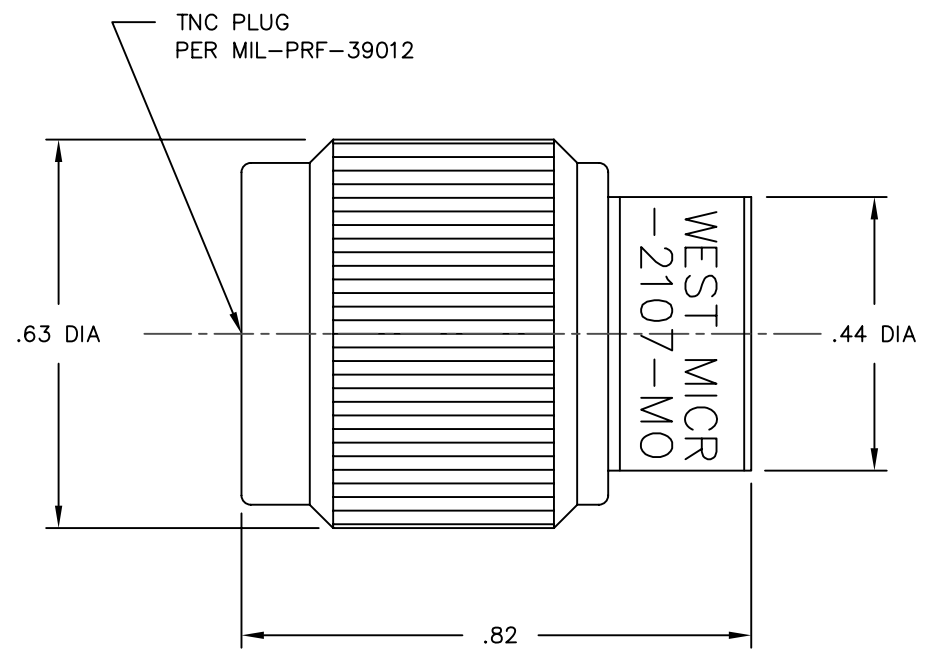


MODEL NUMBER  
TRM-2107-MO-TNC-02

- NOTES:
- 1.0 ELECTRICAL SPECIFICATIONS:
    - 1.1 FREQUENCY RANGE: DC to 12.4 GHz
    - 1.2 INPUT POWER:
      - 1.2.1 AT +25°C: 2 WATTS MAX.
      - 1.2.2 AT +125°C: 0.5 WATTS MAX.
    - 1.3 VSWR:
      - 1.3.1 DC to 8.0 GHz: 1.20:1 MAX.
      - 1.3.2 8.0 to 12.4 GHz: 1.25:1 MAX.
    - 1.4 IMPEDANCE: 50 OHMS
    - 1.5 OPERATING TEMP. RANGE:
      - 55°C to +125°C
  - 2.0 MARKING
    - 2.1 MARK UNIT AS SHOWN:  
(REF: INK-2729-27-03)



DWG NO. WAS: 02714-01-00

REV.	DESCRIPTION	DATE
-	RELEASED	1/26/87
A	ECR 1233	6/29/81
B	ECR 6545	6/30/89
B1	CORR. TITLE	12/13/89
C	ECR 7129	2/20/89
D	REDRAW ON CAD ADD SPECS/23/91	
D1	REVISE FINISH CODE	6/10/91
E	ECN 12202	11/10/92
F	ECN 12602	4/27/93
G	ECN 12916	9/9/93
H	ECN 14627	7/25/95
H1	ADDED TITLEBLOCK	11/2/05

NOTICE: The information contained in this drawing is proprietary and must not be used without the permission of Emerson Network Power.  UNLESS OTHERWISE NOTED DIMENSIONS ARE IN INCHES AND TOLERANCES ARE: 3 PLACE DECIMALS ±.005 2 PLACE DECIMALS ±.02 FRACTIONS ±1/64 PARALLELITY: T.I.R. _____ FLATNESS: T.I.R. _____ CONCENTRICITY: T.I.R. _____ ANGLES AND PERPENDICULARITY: ±1°		CASE CODE <b>34078</b>	<b>MIDWEST MICROWAVE</b>	
		TITLE TERMINATION OUTLINE DRAWING		
DRAWN/DATE A.BEATTY 1/23/91	ENG./DATE G.KOZAK 1/25/91	DRAWING NUMBER TRM-2107-MO-TNC-02-01		REV. H1
CHECKED/DATE D.ESTY 1/24/91	APPROVED/DATE	SCALE: 5=1	SHEET 1 of 1	