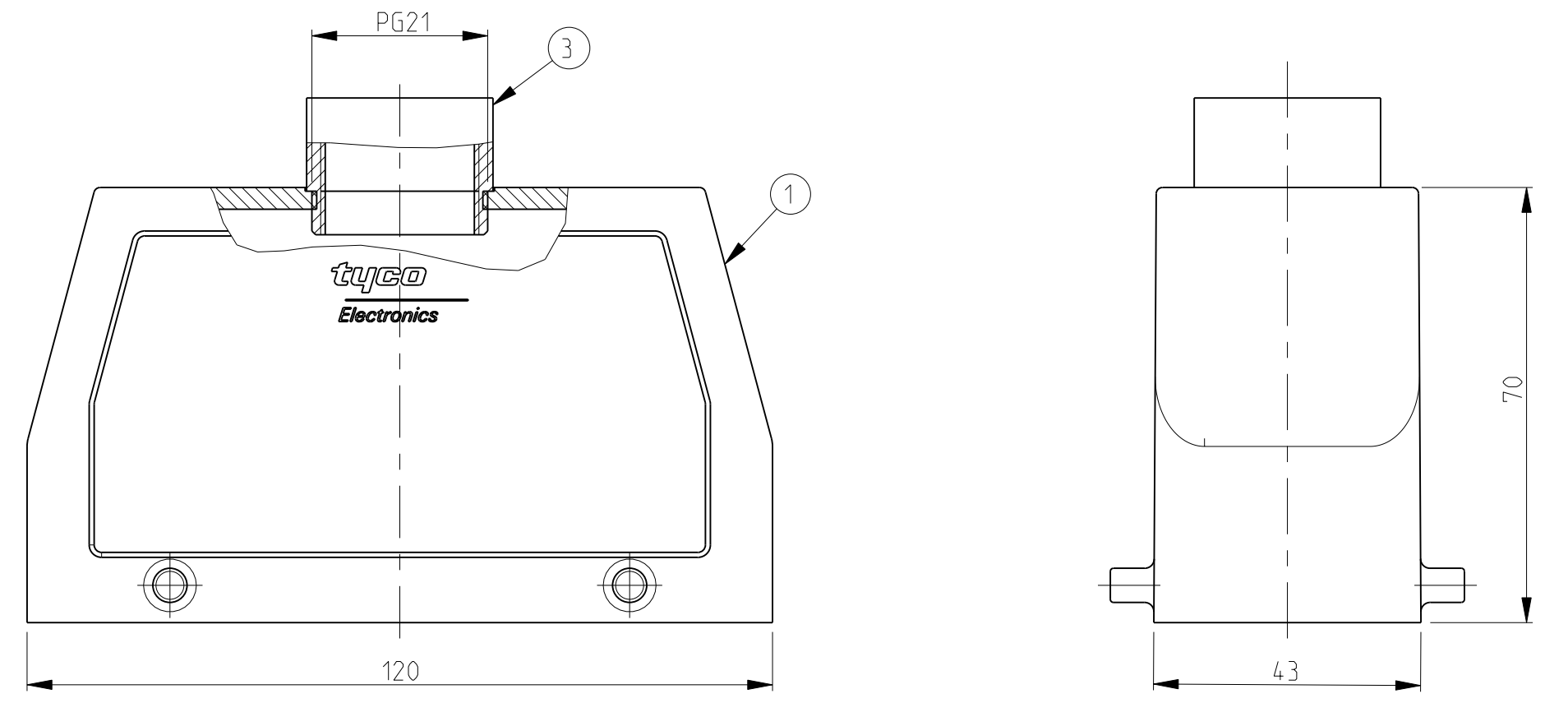
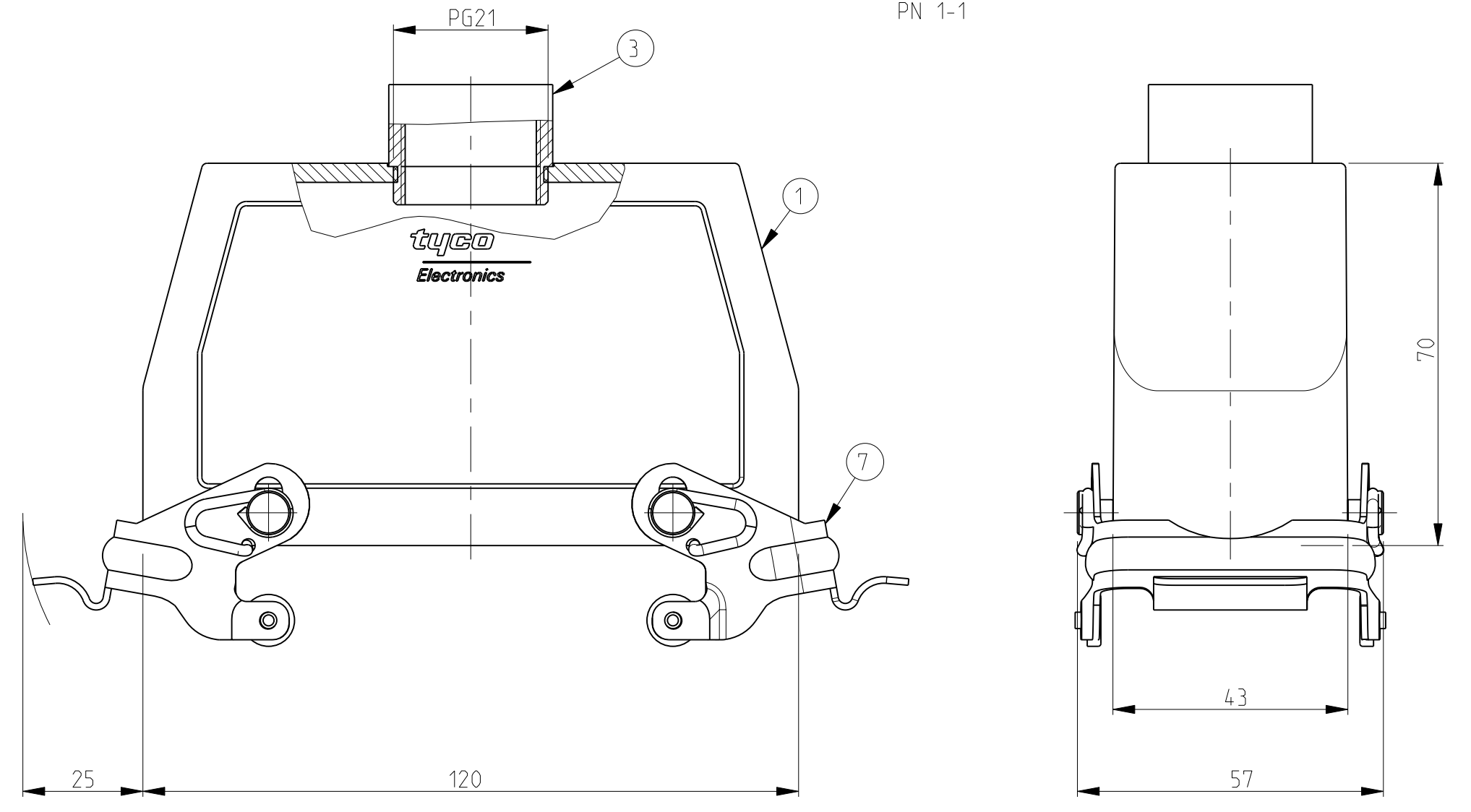


LOC	DIST	REV	DATE	BY	APPD
A1	-	A4	Released as per ECE-07-019955	22.08.07	SK TS

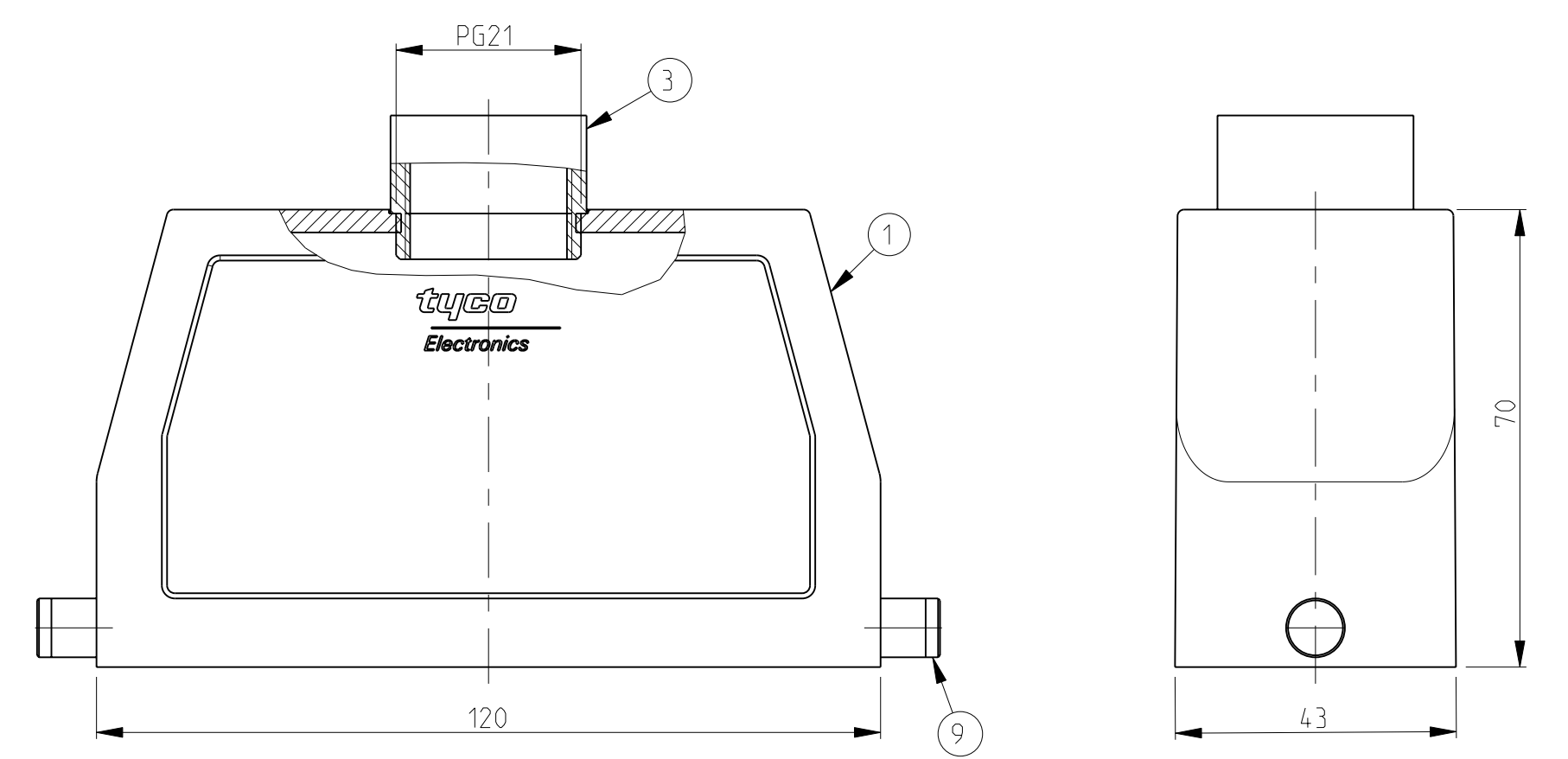
PN 1-6



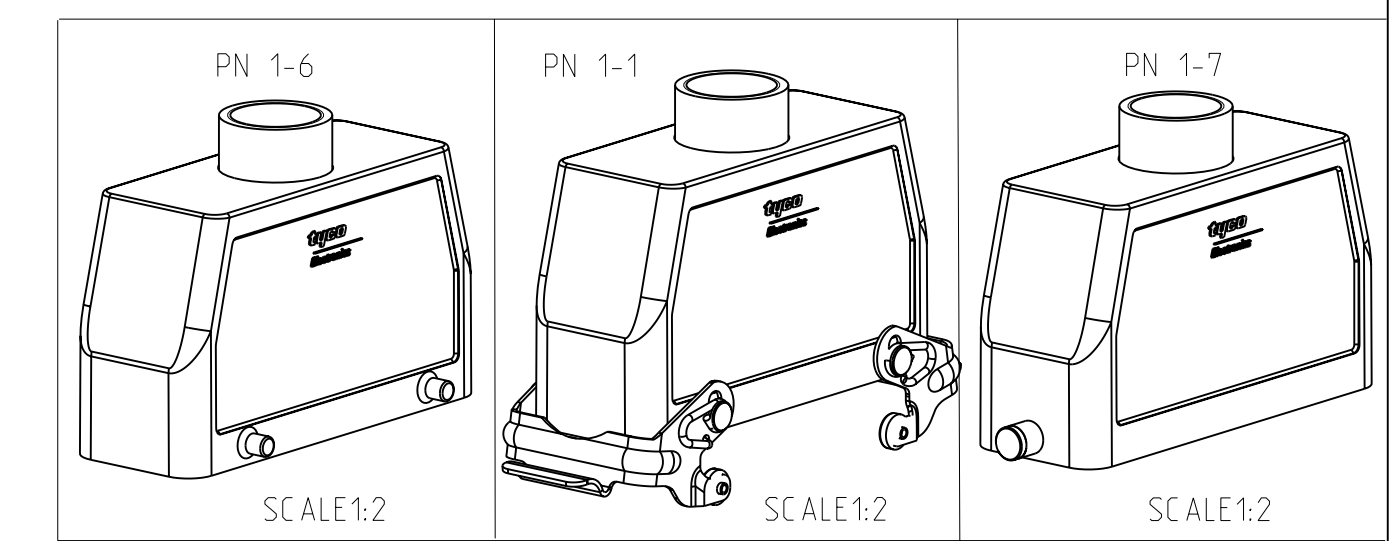
PN 1-1



PN 1-7



- NOTES.
- 1 Material:Housing:Aluminium Diecasting Alloy
 - 2 Surface:Varnish grey
 - 3 Varnish on the inside not necessary
 - 4 Packaging Quantity 5 Pieces in a box



QTY	DESCRIPTION	MATERIAL	SURFACE	COLOR	ITEM NO	REMARKS
1	ZB Central clip	Stainless steel	-	-	12	
1	ZB Central clip	Steel	Zinc plated	Blue	11	
2	LB Clip bolt	Stainless steel	-	-	10	
2	LB Clip bolt	Steel	Zinc plated	Blue	9	
2	VS Locking clip	Stainless steel	-	-	8	
2	VS Locking clip	Steel	Zinc plated	Blue	7	
4	VS Clip bolt	Stainless steel	-	-	6	
1	O-Ring Pg21	Neoprene	-	Black	5	
1	Intermediate connecting piece 6kt Pg21	Brass	Nickel plated	-	4	
1	Intermediate connecting piece Pg21	Brass	Nickel plated	-	3	
1	HB Hood .24.Sto.1.21.Z	Aluminium	Aluminium oxide	Black	2	
1	HB Hood .24.Sto.1.21.Z	Aluminium	-	Grey	1	
2-3	DESCRIPTION	MATERIAL	SURFACE	COLOR	ITEM NO	REMARKS
1-3	ORDERING TEXT					
2-7	HB.24.Sto.1.21.Z					
1-7	HB-K.24.Sto.1.21.Z					
2-1	HB.24.Sto-VS.1.21.Z					
1-1	HB.24.Sto-VS.1.21.Z					
2-6	HB.24.Sto-VS.1.21.Z					
1-6	HB.24.Sto-GR.1.2.Z					
	HB.24.Sto-GR.1.2.Z					
	HB-K.24.Sto-GR.1.21.Z					
	HB-Z.24.Sto.1.21.Z					
	HB-K.Z.24.Sto.ZB.1.21.Z					

DIMENSIONS: mm 		TOLERANCES UNLESS OTHERWISE SPECIFIED: 0 - 100 mm: ±0.15 1 - 100 mm: ±0.1 2 - 100 mm: ±0.05 3 - 100 mm: ±0.02 4 - 100 mm: ±0.01 ANGLES: ±0.5°		DWN: Schneider 12.11.1997 CHK: Schneider 30.06.98 APPD: Schweiger		Tyco Electronics AMP GmbH 0-53819-Neunkirchen,Germany	
MATERIAL:		FINISH:		PRODUCT SPEC: 108-74001 108-74003 APPLICATION SPEC: 114-74001 114-74004		NAME: Hood HB.24.Sto.1.21.Z SIZE: CAGE CODE: DRAWING NO: A1100779 C=1102324 RESTRICTED TO:	
CUSTOMER DRAW ING				SCALE: 1:1 SHEET 1 OF 1 REV: A4			