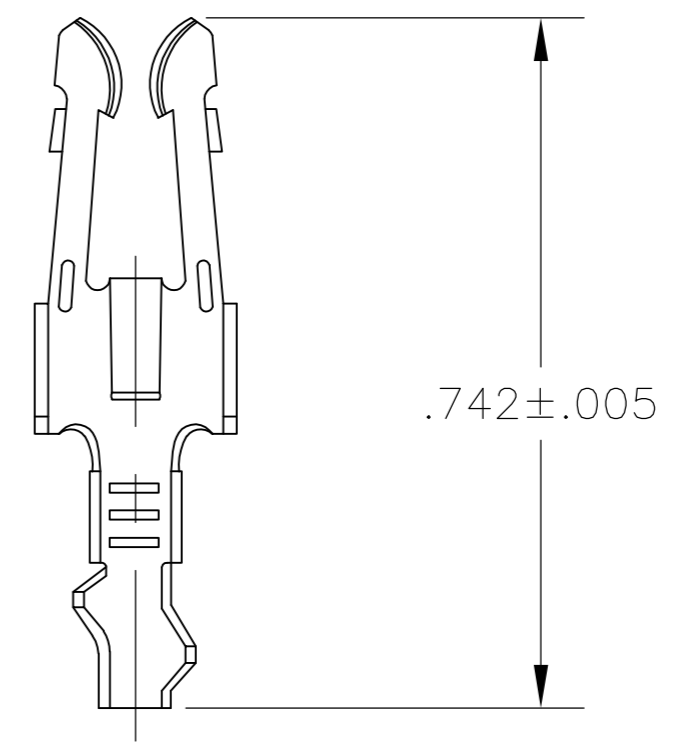
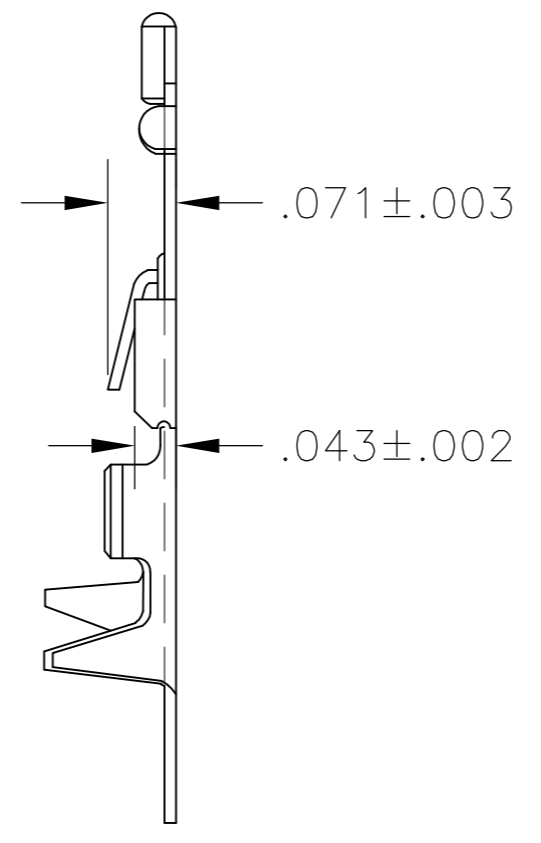
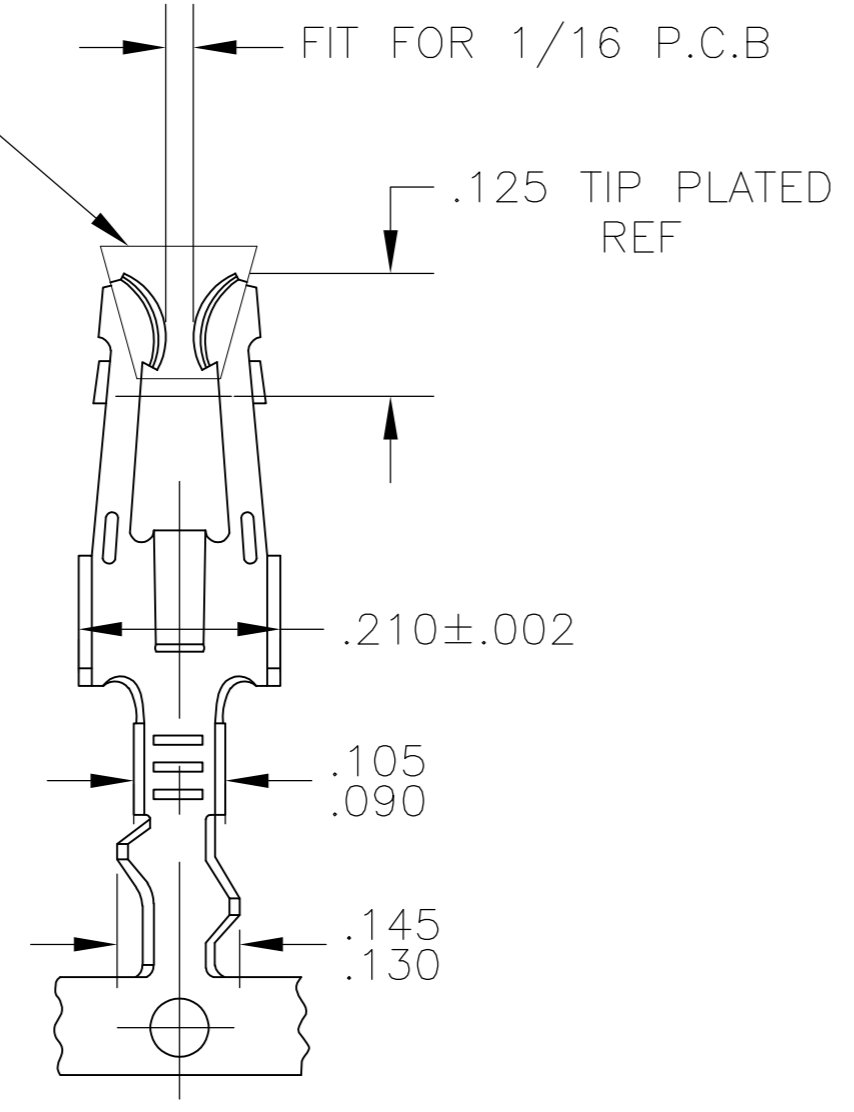


THIS DRAWING IS UNPUBLISHED. RELEASED FOR PUBLICATION
 © COPYRIGHT BY TYCO ELECTRONICS CORPORATION. ALL RIGHTS RESERVED.

LOC	DIST	REVISIONS			
P	LTR	DESCRIPTION	DATE	DWN	APVD
	B	ECO-05-004683	18JAN06	BSV	MM
	B1	REV PER ECO-09-021510	14SEP09	KK	AEG

MINIMUM CONTACT AREA GOLD PLATED



LOOSE PIECE

- 1. WIRE SIZE: #20-#18 AWG, INSULATION RANGE .070-.110 DIA.
- 2 L-R REELING FOR MINI-APPLICATOR.
- 3 MATTE TIN PLATE IN CRIMP AREA.
- 4 OBSOLETE PARTS: OBSOLETE CIS STREAMLINING PER D.RENAUD/D.SINISI

NICKEL PLATE ALL OVER, TIP PLATE .000030 THICK GOLD.	583362-4 L.P(5-583363-3)	583362-7 \triangle_3
NICKEL PLATE ALL OVER, TIP PLATE .000015 THICK GOLD.	583362-3 L.P(5-583363-2)	\triangle_4 583362-6 \triangle_3
TIN.	583362-2 L.P(5-583363-1)	\triangle_4 583362-5 \triangle_3
NICKEL PLATE ALL OVER, TIP PLATE .000030 THICK GOLD.	583362-4 L.P(583363-3)	583362-4 \triangle_2
NICKEL PLATE ALL OVER, TIP PLATE .000015 THICK GOLD.	583362-3 L.P(583363-2)	583362-3 \triangle_2
TIN.	583362-2 L.P(583363-1)	583362-2 \triangle_2
FINISH	LOOSE PIECE COMBINATION NO.	PART NO.

THIS DRAWING IS A CONTROLLED DOCUMENT.		DWN	16SEP67	tyco Electronics	Tyco Electronics Corporation Harrisburg, PA 17105-3608		
DIMENSIONS: INCHES		CHK	-		NAME		
TOLERANCES UNLESS OTHERWISE SPECIFIED:		APVD	-	PRODUCT SPEC			
0 PLC ± -		APPLICATION SPEC		MODIFIED FORK CONTACT			
1 PLC ± -		-		SIZE	CAGE CODE	DRAWING NO	RESTRICTED TO
2 PLC ± -		-		A2	00779	C=583362	-
3 PLC ± -		-		CUSTOMER DRAWING			
4 PLC ± -		-		SCALE	SHEET	OF	REV
ANGLES ± -		-		4:1	1	1	B1
FINISH		SEE TABLE					
MATERIAL		PHOS. BRONZE					