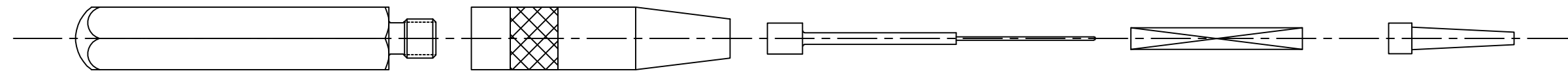
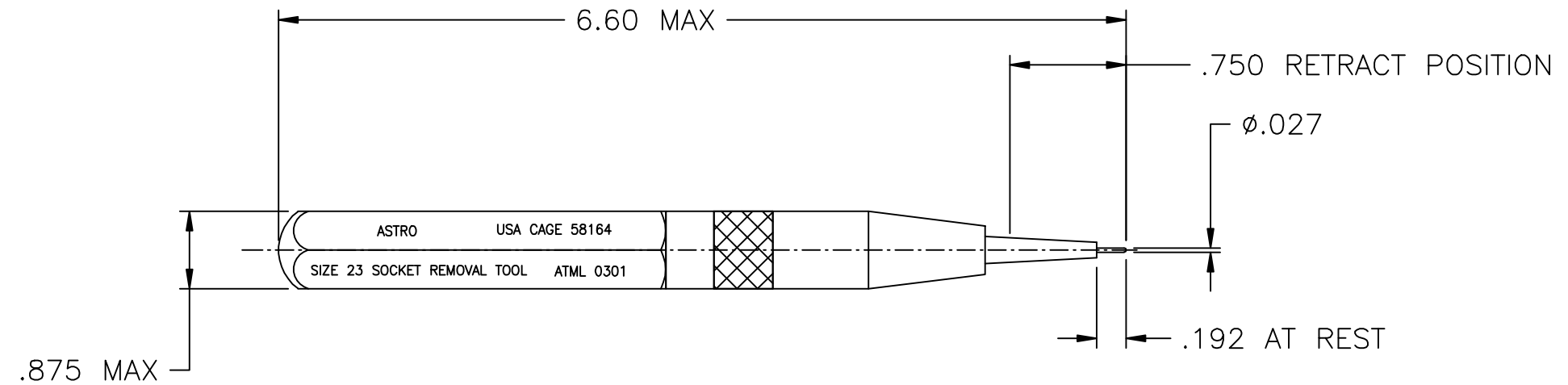



**UNCONTROLLED DOCUMENT
WILL NOT BE UPDATED**



REF: FUNCTIONAL EQUIVALENT TO M81969/3-01

2. COLOR CODE: YELLOW.

1. THIS IS AN AUTOCAD DRAWING, NO NOT CHANGE
NOTES: MANUALLY.

					THESE DRAWINGS, SPECIFICATIONS OR OTHER DATA ARE AND REMAIN THE PROPERTY OF ASTRO TOOL CORP. AND MUST BE RETURNED UPON REQUEST. THEY CONTAIN INFORMATION OWNED AND/OR DEVELOPED BY ASTRO AT ITS OWN PRIVATE EXPENSE AND MAY NOT BE USED, DUPLICATED OR DISCLOSED TO OTHERS, IN WHOLE OR IN PART FOR DESIGN, MANUFACTURE OR PROCUREMENT WITHOUT THE WRITTEN PERMISSION OF ASTRO TOOL CORP. EACH AND EVERY TIME.	SCALE: N.T.S.	UNLESS OTHERWISE SPECIFIED: DECIMALS: .XXX ± .005 .XX ± .010 .X ± .030 ANGLES: ± 1°	 21615 S.W. TUALATIN VALLEY HWY., BEAVERTON OR 97006 CAGE 58164	
A	NEW RELEASE.	DYO	10-25-11	MMK	DWN BY: DYO	DATE: 10-25-11			DESCRIPTION: ENVELOPE DRAWING: ATML 0301 REMOVAL TOOL 23 GA.
REV.	DESCRIPTION	BY	DATE	APR.	APPROVED:				PART NO. B ATML 0301-ENV