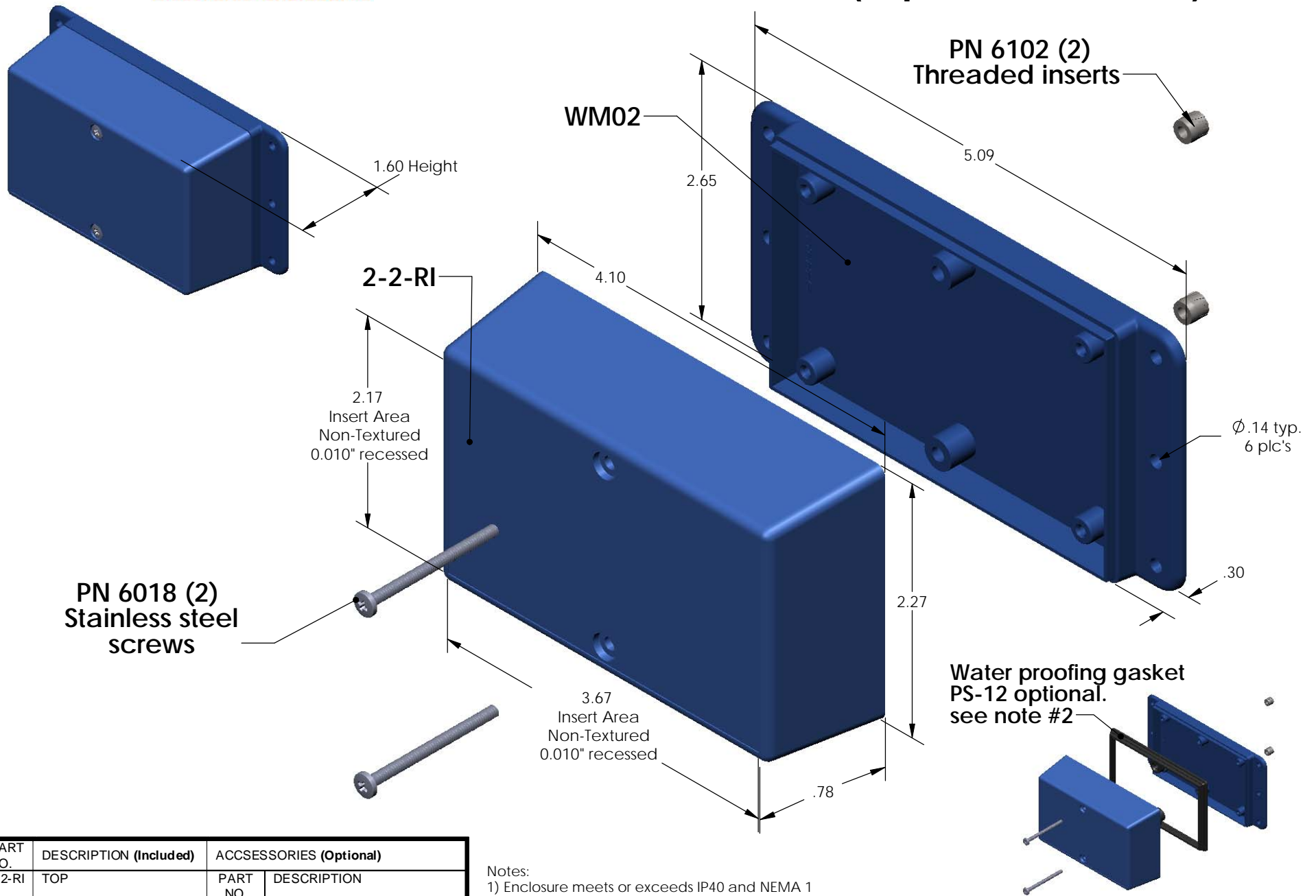


# SERPAC WM022-RI (exploded isometric)

Electronic Enclosures



PART NO.	DESCRIPTION (Included)	ACCESSORIES (Optional)	
		PART NO.	DESCRIPTION
2-2-RI	TOP	PS-12	Perimeter Seal
WM02	BOTTOM		
6018	4-40 SCREW (2)		
6102	THREADED INSERTS (2)		

Notes:

- 1) Enclosure meets or exceeds IP40 and NEMA 1
- 2) When used with PS-12 the enclosure meets or exceeds IP 67 and NEMA 4X, 12 and 13 MIL-STD-810G 506.5
- 3) Circuit Board drawings can be download at:  
[http://www.serpac.com/Products/Accessories/CircuitBoard/drawings/CB\\_WM022.pdf](http://www.serpac.com/Products/Accessories/CircuitBoard/drawings/CB_WM022.pdf)
- 4) All components are RoHS Compliant.

ALL DIMENSIONS ARE ±.010" 5/28/09 (1 of 2)  
 619 Commercial Ave. Covina, CA 91723  
 Ph. (626) 331-0517 Fx. (626) 331-8584 serpac.com

