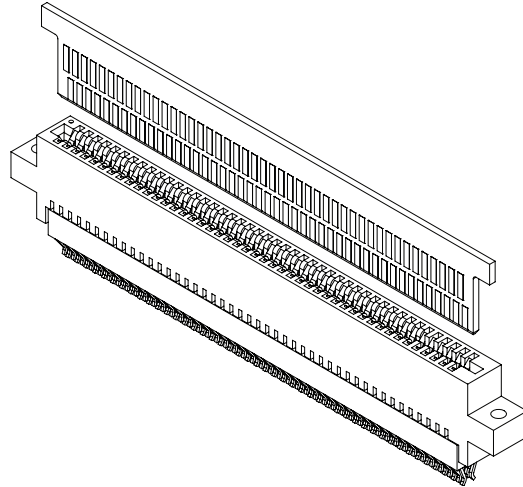




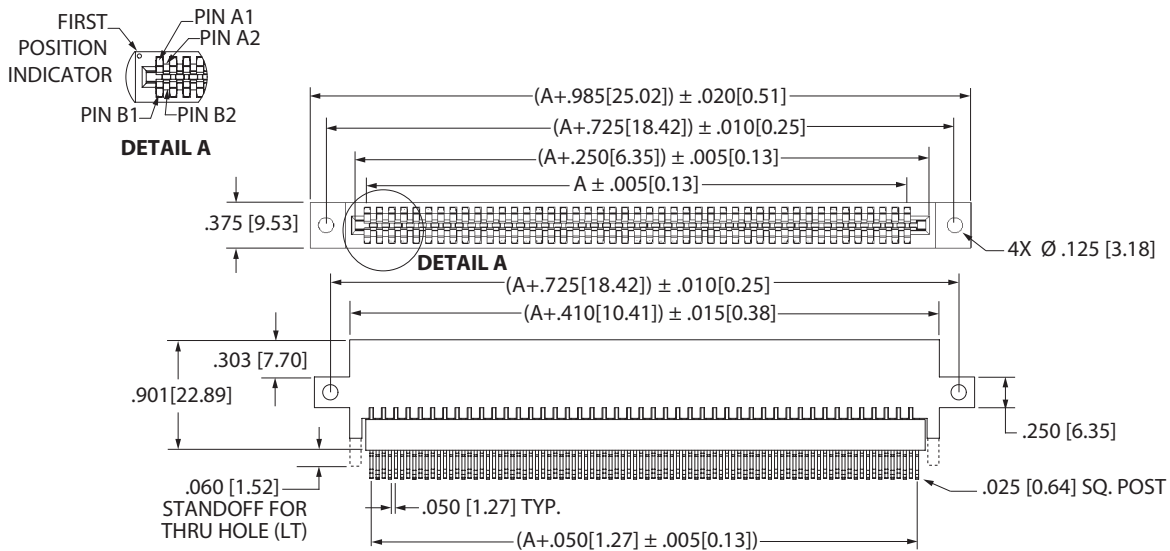
Bi-Level High Density, .050" [1.27 mm] / .100" [2.54 mm] Contact Centers Card Extender, Dip Solder for .062" [1.57 mm] or .093" [2.36 mm] Mating PCB

SPECIFICATIONS

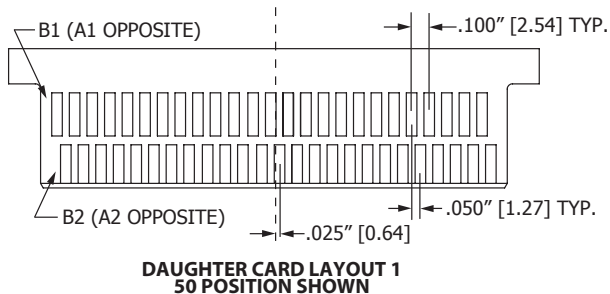
- .050" [1.27 mm] Contact Center Spacing can replace .100" [2.54 mm] Contact Center part to double the number of contacts within the same area
- Backwards Compatible with Daughter Card Side
- Accommodates .062" ± .008" [1.57 mm ± 0.20 mm] or .093" ± .008" [2.36 mm ± 0.20 mm] mating PCB
- Contact Material: Beryllium Copper or Phosphor Bronze
- Body Material: PA9T
- UL Flammability Rating: 94V-0
- 3 Amps current rating for one contact energized
- High power-per-inch
- Voltage Rating: 225 VAC Minimum at sea level
- Consult Factory for PC board layouts/technical drawings



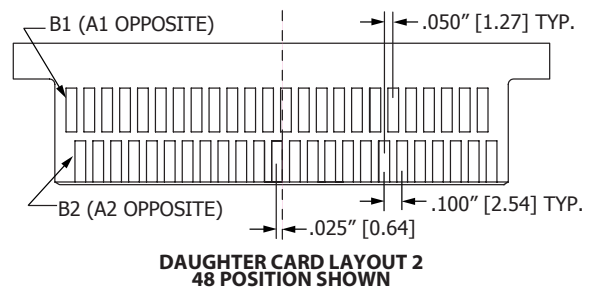
DIMENSIONS Dimensions in [] are in millimeters, all others are in inches.



DAUGHTER CARD LAYOUT (1)



DAUGHTER CARD LAYOUT (2)



Bi-Level Card Edge



Bi-Level High Density, .050" [1.27 mm] / .100" [2.54 mm] Contact Centers Card Extender, Dip Solder for .062" [1.57 mm] or .093" [2.36 mm] Mating PCB

Bi-Level Card Edge

PART NUMBER OPTIONS

J C B 10 D LT H - Sxxxx

MATERIALS (INSULATOR/CONTACT)

- G = PA9T/Phosphor Bronze
- J = PA9T/Beryllium Copper

Refer to Page 7 for Operating/Processing Temperatures

CONTACT FINISH - RoHS Compliant

All platings are Lead Free and have .000050" Nickel underplate

Contact Surface

- B = .000010" Gold
- C = .000030" Gold
- Y = .000030" Gold

Termination

- .000100" Pure Tin, Matte
- .000100" Pure Tin, Matte
- .000005" Gold

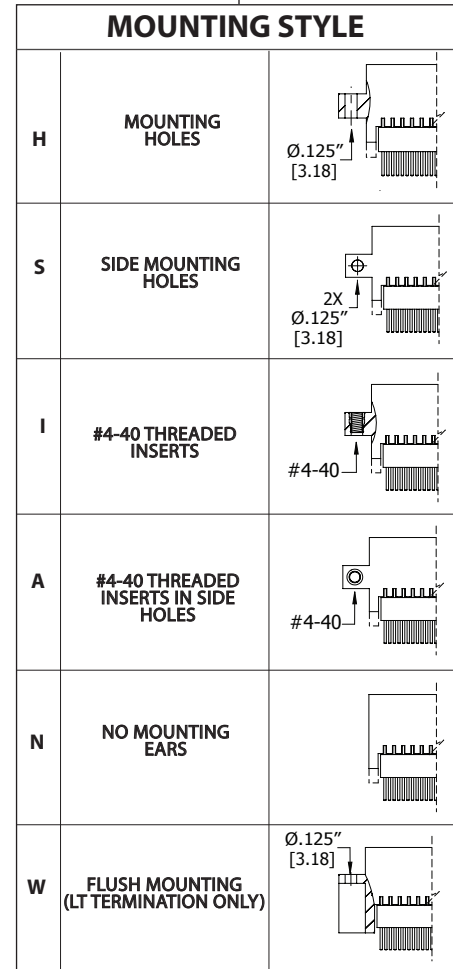
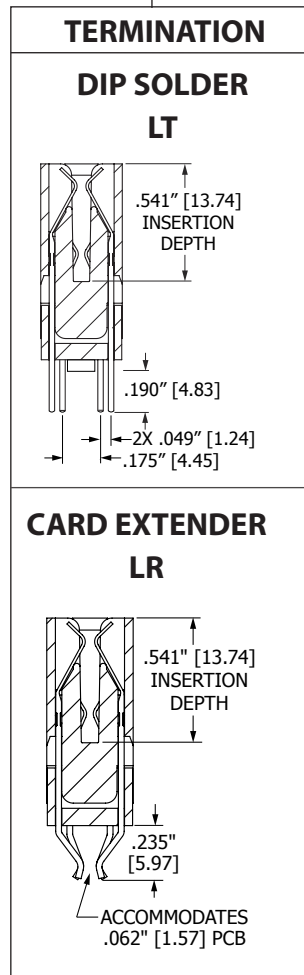
CONTACT CENTERS

- B = .050" [1.27 mm] / .100" [2.54 mm]

MODIFICATION CODE (Consult Factory)

- OMIT FOR STANDARD
- S1176 = For .093" ± .008" [2.36 ± 0.20] Thick Mating PCB

POSITIONS	DIMENSION A (See Opposite Page)			Daughter Card Layout
	No. of Contacts	in	mm	
06	12	0.200	5.08	1
08*	16	0.300	7.62	2
10	20	0.400	10.16	1
12	24	0.500	12.70	2
14*	28	0.600	15.24	1
16*	32	0.700	17.78	2
18*	36	0.800	20.32	1
20	40	0.900	22.86	2
22*	44	1.000	25.40	1
24	48	1.100	27.94	2
26*	52	1.200	30.48	1
28*	56	1.300	33.02	2
30	60	1.400	35.56	1
32*	64	1.500	38.10	2
34	68	1.600	40.64	1
36	72	1.700	43.18	2
38*	76	1.800	45.72	1
40	80	1.900	48.26	2
42	84	2.000	50.80	1
44	88	2.100	53.34	2
46*	92	2.200	55.88	1
48*	96	2.300	58.42	2
50	100	2.400	60.96	1
52	104	2.500	63.50	2
54*	108	2.600	66.04	1
56	112	2.700	68.58	2
58*	116	2.800	71.12	1
60	120	2.900	73.66	2
62*	124	3.000	76.20	1
64*	128	3.100	78.74	2
66*	132	3.200	81.28	1
68*	136	3.300	83.82	2
70	140	3.400	86.36	1
72	144	3.500	88.90	2
74*	148	3.600	91.44	1
76	152	3.700	93.98	2
78	156	3.800	96.52	1
80	160	3.900	99.06	2
82*	164	4.000	101.60	1
84*	168	4.100	104.14	2
86	172	4.200	106.68	1
88*	176	4.300	109.22	2
90	180	4.400	111.76	1
100	200	4.900	124.46	2
120†	240	5.900	149.86	2



* Consult factory for availability. † Available in 'N' mounting only.