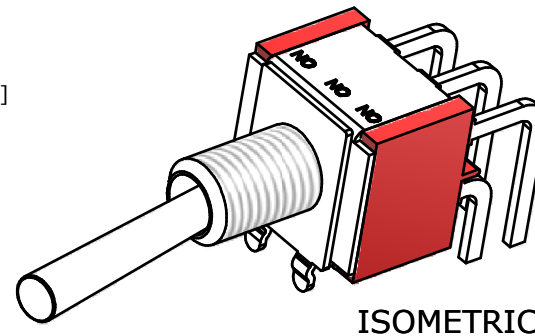
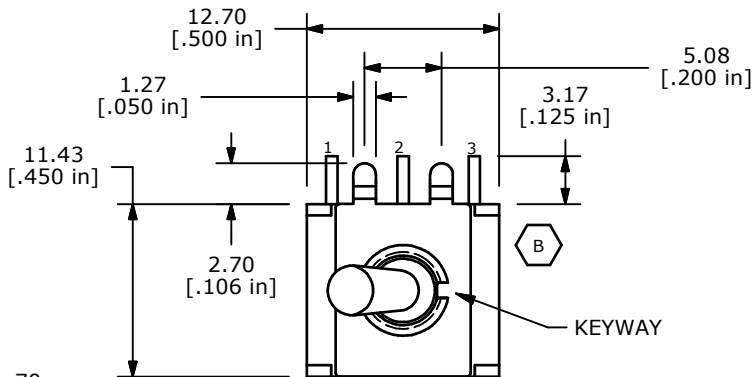
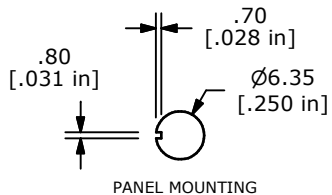


PC MOUNTING

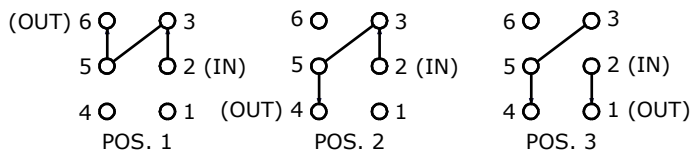


ISOMETRIC

SWITCH FUNCTION		
POS. 1	POS. 2	POS. 3
ON	ON	ON
2-3, 5-6	2-3, 5-4	2-1, 5-4



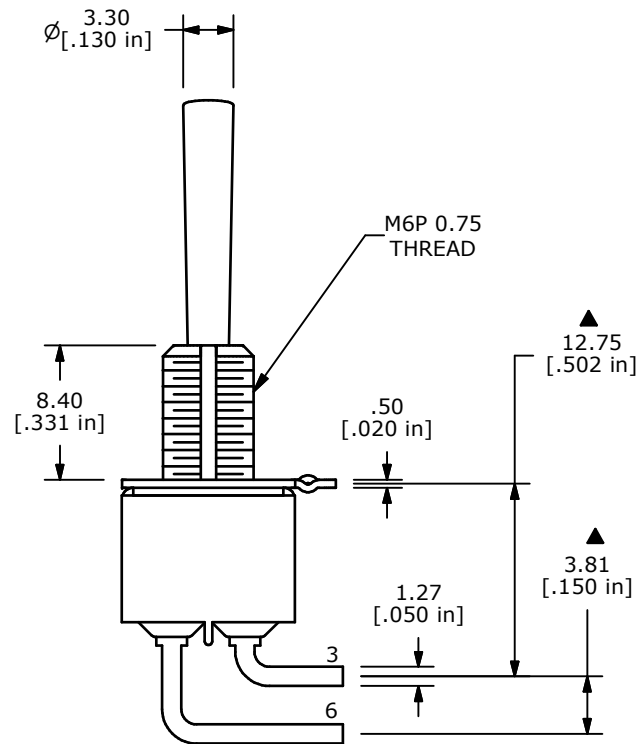
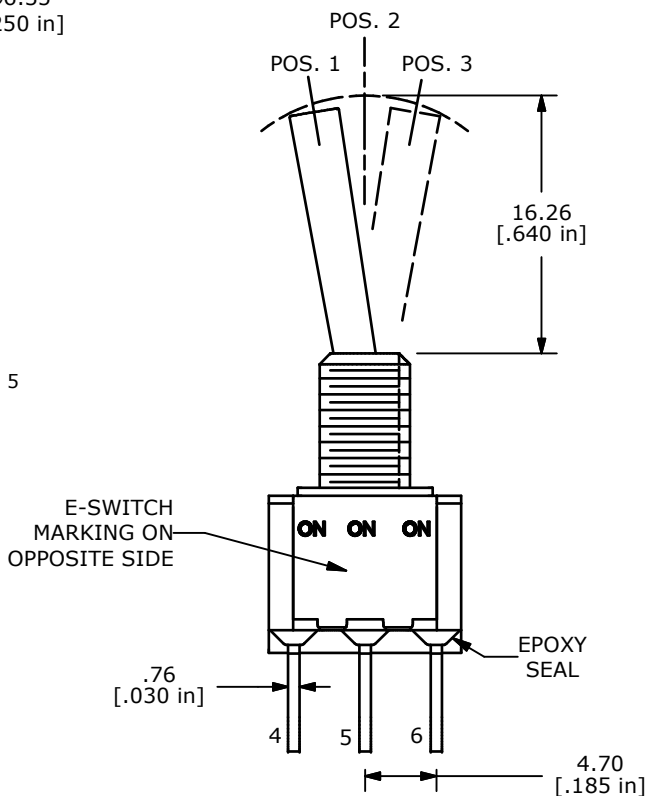
PANEL MOUNTING



DPDT 3 WAY CIRCUIT
NOTE: JUMPER PIN 3 TO 5

NOTE:

1. ALL DIMENSIONS IN MM [INCH]
2. GENERAL TOLERANCE: X.X=±0.4
X.XX=±0.25
3. TERMINAL NUMBERS FOR REF ONLY
- ▲ 4. PLATING MATERIAL: SILVER
- ▲ 5. RATING: 5A MAX. @ 120VAC (or 28VDC)
2A MAX. @ 250VAC
6. LIFE EXPECTANCY: 40,000 make-and-break cycles at full load.
7. INSULATION RESISTANCE: 1,000 Mega-ohm min.
8. DIELECTRIC STRENGTH: 1,000 V RMS @sea level.
9. OPERATING TEMP.: -30°C to 85°C
10. ▲ DENOTES CRITICAL PARAMETER.
11. 2002/95/EC (ROHS) COMPLIANT
12. HARDWARE TO BE SHIPPED BULK
T100005 - HEXNUT - QTY 2
T100011 - LOCKWASHER - QTY 1
▲T100023 - LOCKRING - QTY 1



B	18419	SHOW LEG OFFSETS IN VIEW	2/24/09	BLR
A	18346	RELEASE FOR PRODUCTION	1/30/09	BLR
REV	PCR NO	DESCRIPTION	DATE	BY

TITLE 100DP6T4B8M61QE#				
SCALE 2:1	DATE 2/24/2009	DR BLR	DWG ST126011	REV B

THE INFORMATION CONTAINED IN THIS DOCUMENT IS PROPRIETARY TO E-SWITCH AND IS NOT TO BE COPIED OR TRANSFERRED