

THE INFORMATION CONTAINED HEREIN IS CONSIDERED "PROPRIETARY" TO BEL FUSE INC. AND SHALL NOT BE COPIED, REPRODUCED OR DISCLOSED WITHOUT THE WRITTEN APPROVAL OF BEL FUSE INC.

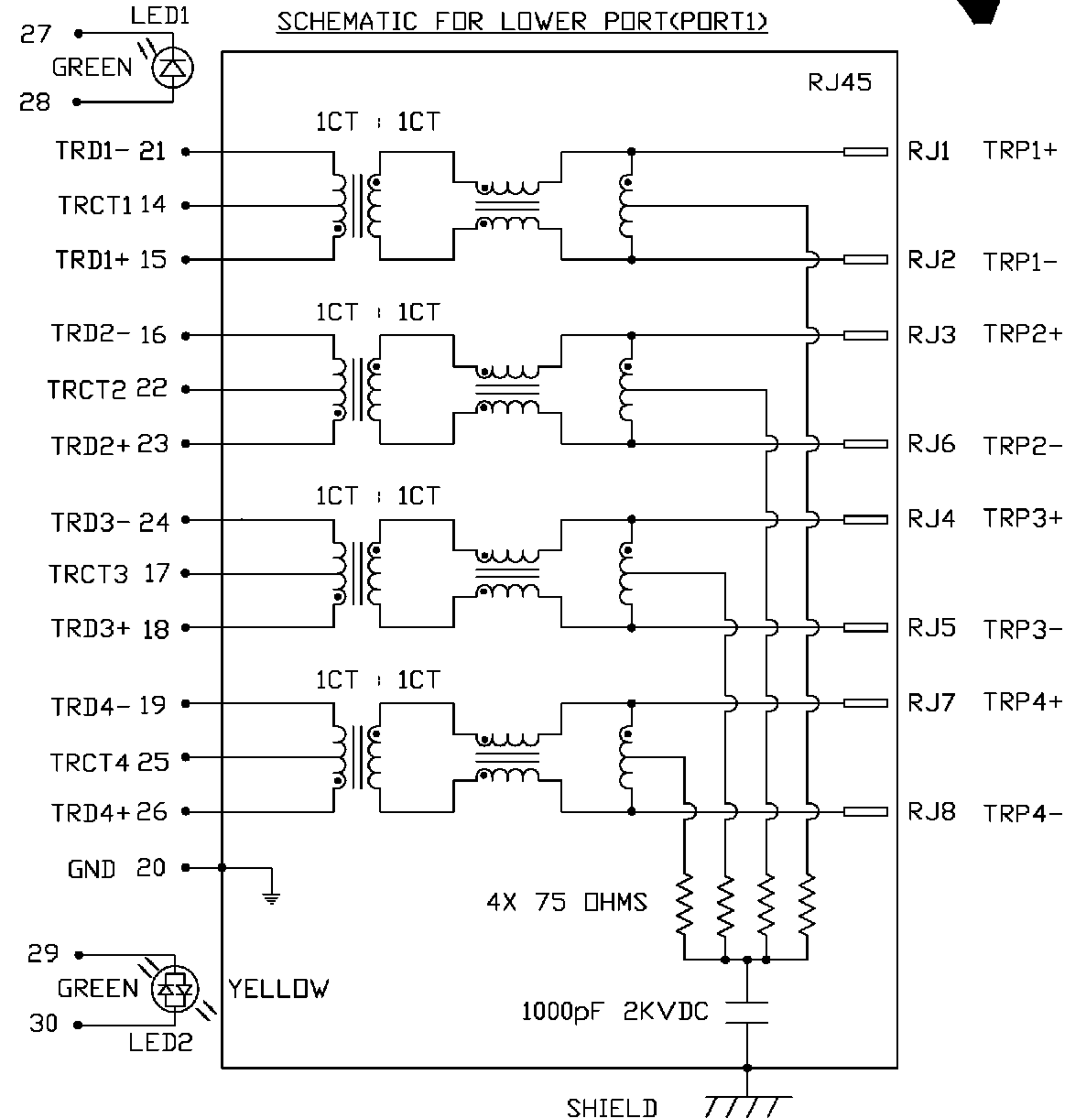
LED1 POLARITY			LED2 POLARITY		
PIN 27	PIN 28	COLOR	PIN 29	PIN 30	COLOR
-	+	GREEN	+	-	YELLOW
/	/	/	-	+	GREEN

PRELIMINARY



ELECTRICAL CHARACTERISTICS @ 25°C

URNS RATIO	
TP1	1CT : 1CT ±2%
TP2	1CT : 1CT ±2%
TP3	1CT : 1CT ±2%
TP4	1CT : 1CT ±2%
DCL @ 100kHz,100mVRMS	
8mA DC BIAS	350 uH MIN.
INS. LOSS	
100KHz TO 100MHz	-1.1 dB MAX
RET. LOSS (MIN)	
1MHz-30MHz	-18 dB
30MHz-60MHz	-16 dB
60MHz-80MHz	-14 dB
80MHz-100MHz	-12 dB
CM TO CM REJ	
100kHz - 100MHz	-25 dB TYP
CROSS TALK	
1MHz - 60MHz	-35 dB TYP
60MHz - 100MHz	-25 dB TYP
HIPOT (Isolation Voltage):	1500 Vrms
LEAKAGE INDUCTANCE	
PRIMARY W/ SECONDARY SHORTED	0.3uH Max. @ 1MHz
INTERWINDING CAPACITANCE	
PER CHANNEL (PRI. TO SEC.)	50pF Max @ 1MHz
DC RESISTANCE	
(21-15)=(16-23)=(24-18)=(19-26)	1.2 ohms Max
(RJ1-RJ2)=(RJ3-RJ6)=(RJ4-RJ5)=(RJ7-RJ8)	1.2 ohms Max
LED 1	
VF (FORWARD VOLTAGE)	IF=20mA GREEN 2.2V TYP.
λD (DOMINANT WAVELENGTH)	IF=20mA GREEN 565nm TYP.
LED 2	
VF (FORWARD VOLTAGE)	IF=20mA GREEN 2.2V TYP. YELLOW 2.1V TYP.
λD (DOMINANT WAVELENGTH)	IF=20mA GREEN 565nm TYP. YELLOW 590nm TYP.



ORIGINATED BY	DATE	TITLE	PART NO. / DRAWING NO.	STANDARD DIM. TOL. IN INCH	[] METRIC DIM. AS REFERENCE	
CHUNG	12-27-05	2X1 gigabit MagJack® (with LED)	0845-2S1T-E4	.X	UNIT : INCH [mm]	REV. : PD
DRAWN BY	DATE		FILE NAME	.XX	SCALE : N/A	SIZE : A4
DE	12-27-05		08452SITE4PD.DWG	.XXX		PAGE : 2



THE INFORMATION CONTAINED HEREIN IS CONSIDERED "PROPRIETARY" TO BEL FUSE INC. AND SHALL NOT BE COPIED, REPRODUCED OR DISCLOSED WITHOUT THE WRITTEN APPROVAL OF BEL FUSE INC.

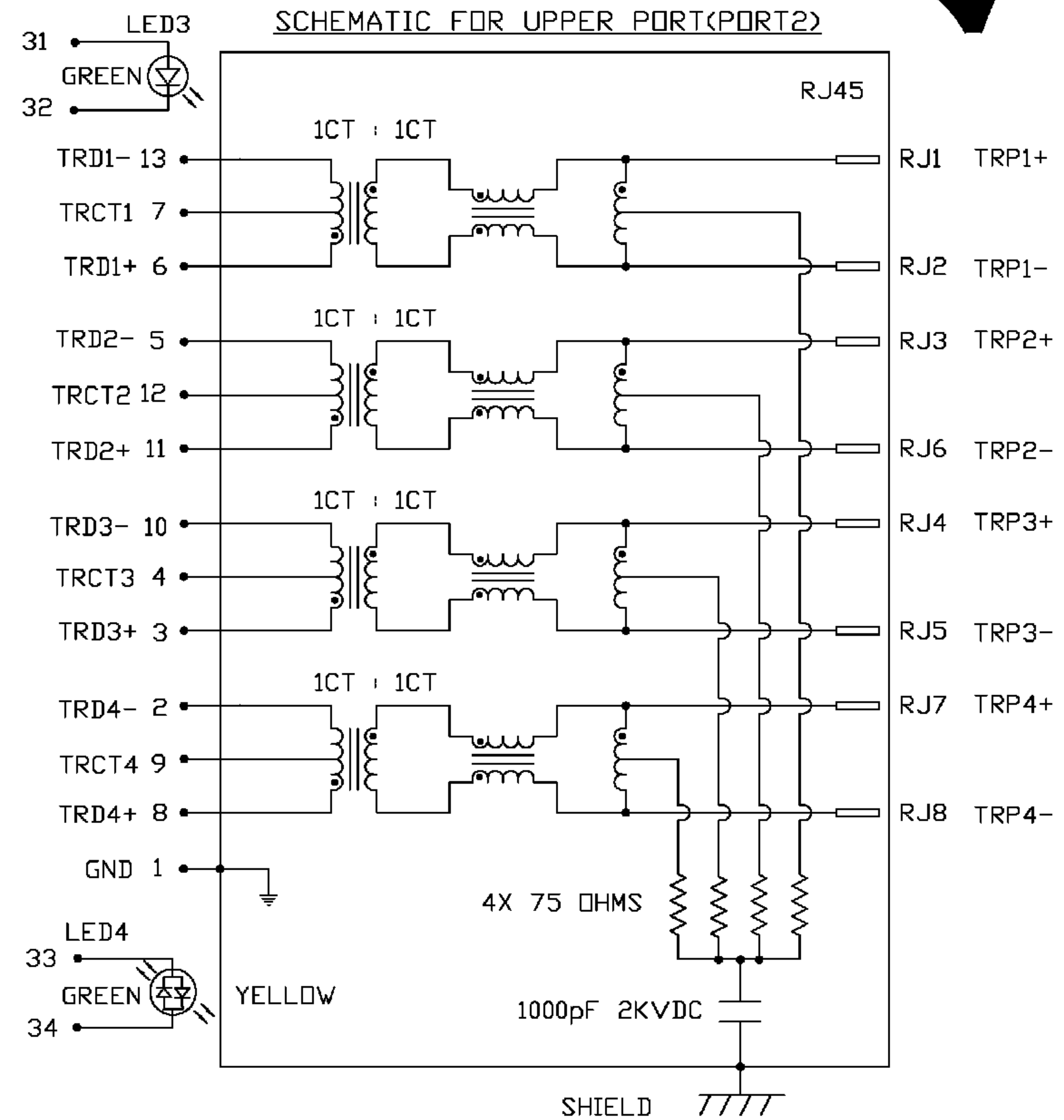
LED3 POLARITY			LED4 POLARITY		
PIN 31	PIN 32	COLOR	PIN 33	PIN 34	COLOR
+	-	GREEN	+	-	YELLOW
			-	+	GREEN



PRELIMINARY

ELECTRICAL CHARACTERISTICS @ 25°C

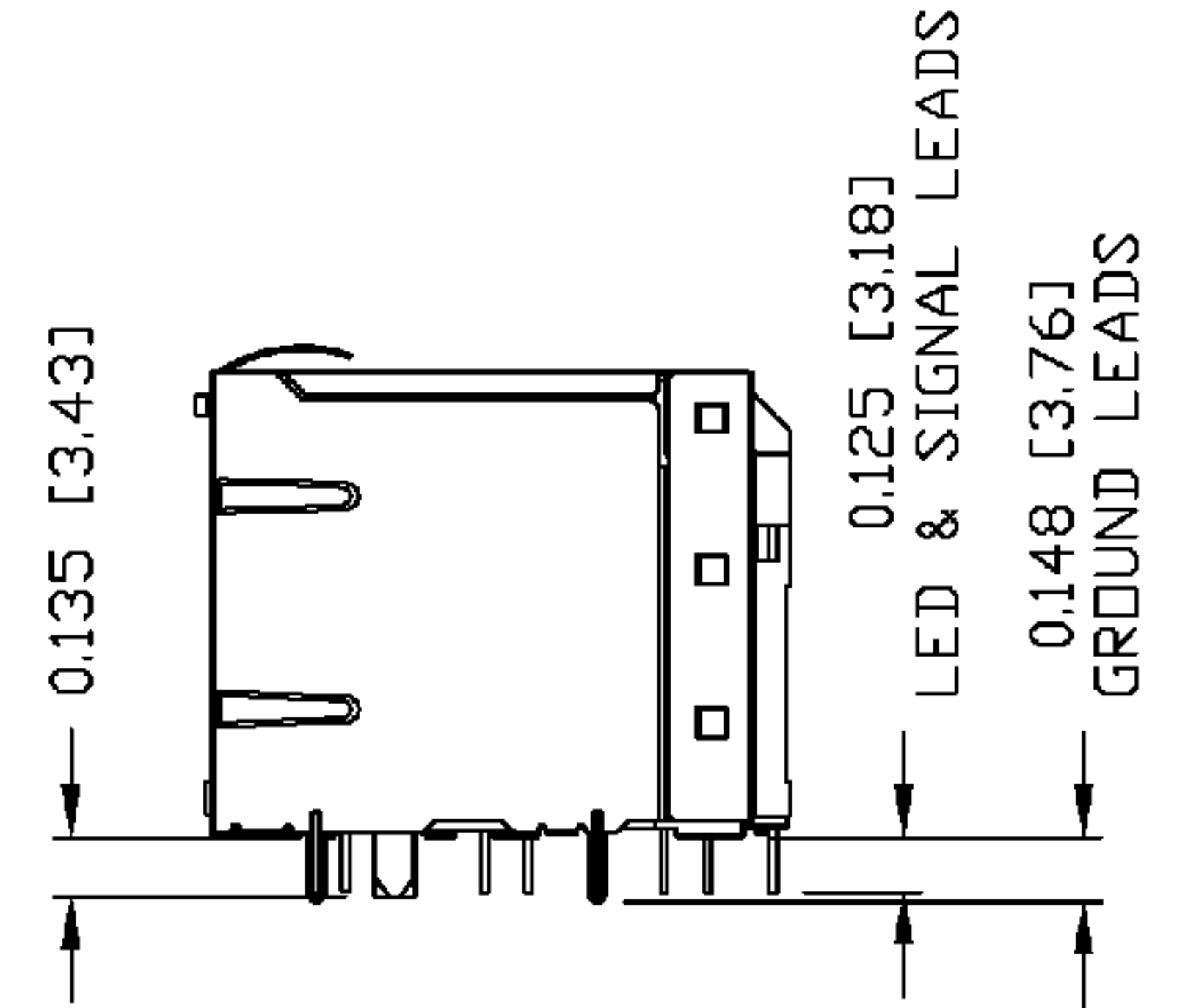
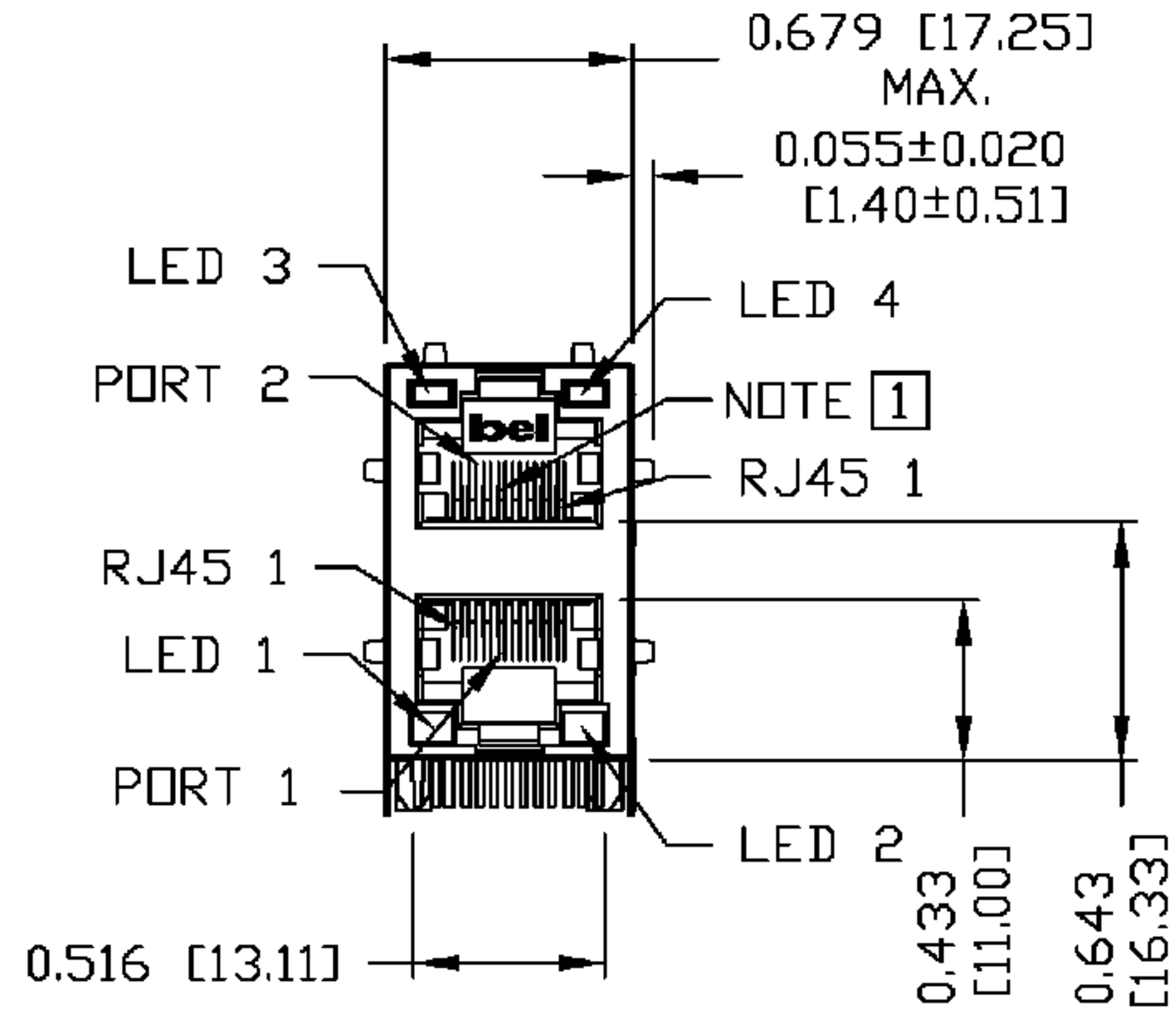
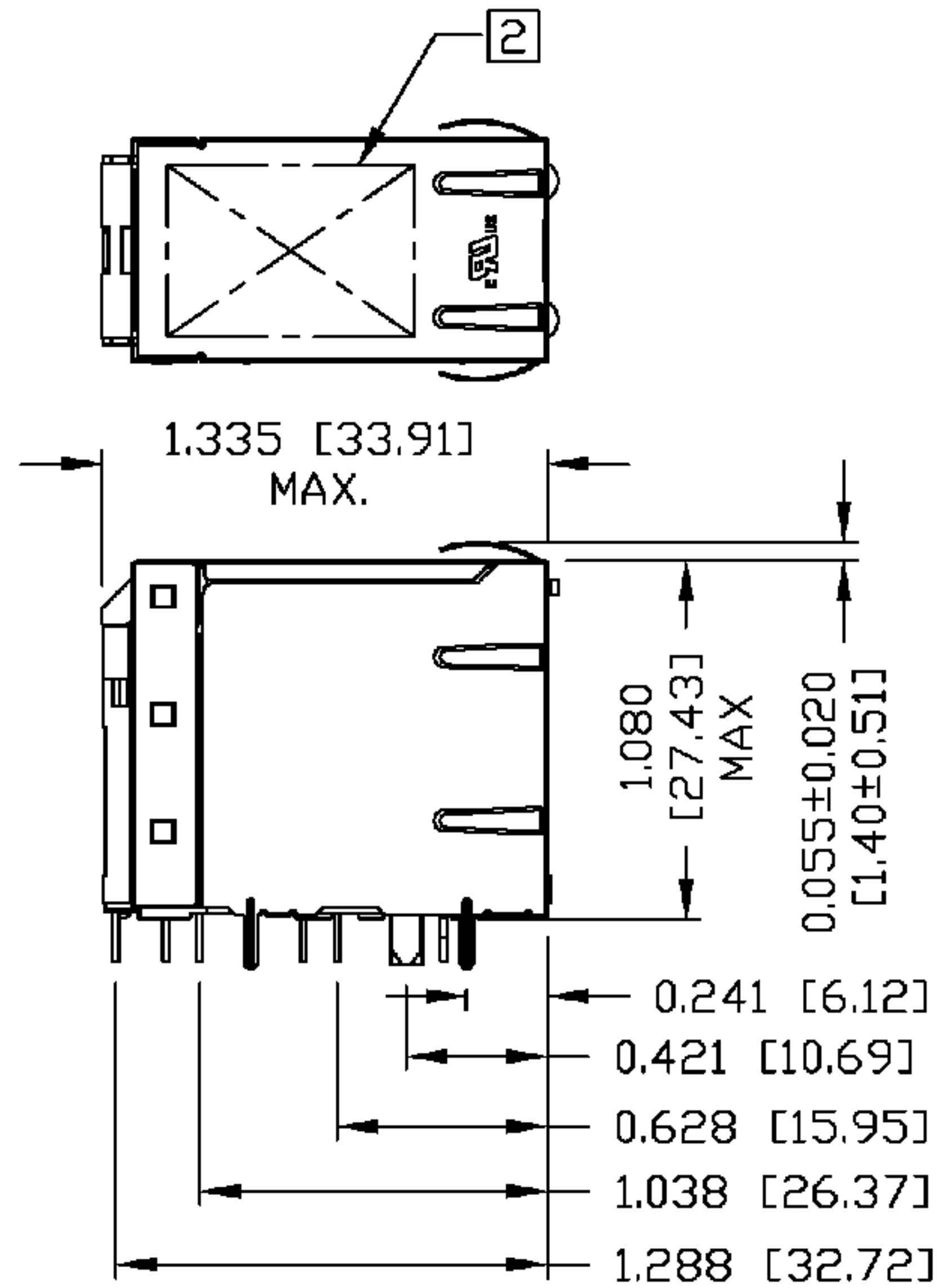
<p>TRANSFORMER</p> <p>TP1 1CT : 1CT ±2%</p> <p>TP2 1CT : 1CT ±2%</p> <p>TP3 1CT : 1CT ±2%</p> <p>TP4 1CT : 1CT ±2%</p> <p>DC L @ 100kHz, 100mVRMS 8mA DC BIAS 350 uH MIN.</p> <p>INS. LOSS 100kHz TO 100MHz -1.1 dB MAX</p> <p>RET. LOSS (MIN) 1MHz-30MHz -18 dB 30MHz-60MHz -16 dB 60MHz-80MHz -14 dB 80MHz-100MHz -12 dB</p> <p>CM TO CM REJ 100kHz - 100MHz -25 dB TYP</p> <p>CROSS TALK 1MHz - 60MHz -35 dB TYP 60MHz - 100MHz -25 dB TYP</p> <p>HIPOT (Isolation Voltage): 1500 Vrms</p> <p>LEAKAGE INDUCTANCE PRIMARY W/ SECONDARY SHORTED 0.3uH Max. @ 1MHz</p> <p>INTERWINDING CAPACITANCE PER CHANNEL (PRI. TO SEC.) 50pF Max @ 1MHz</p> <p>DC RESISTANCE (13-6)=(5-11)=(10-3)=(2-8) 1.2 ohms Max (RJ1-RJ2)=(RJ3-RJ6)=(RJ4-RJ5)=(RJ7-RJ8) 1.2 ohms Max</p> <p>LED 3 (Super bright) VF (FORWARD VOLTAGE) IF=20mA GREEN 2.2V TYP. λD (DOMINANT WAVELENGTH) IF=20mA GREEN 565nm TYP.</p> <p>LED 4 (Super bright) VF (FORWARD VOLTAGE) IF=20mA GREEN 2.2V TYP. YELLOW 2.1V TYP. λD (DOMINANT WAVELENGTH) IF=20mA GREEN 565nm TYP. YELLOW 590nm TYP.</p>	
---	--



ORIGINATED BY CHUNG	DATE 12-27-05	TITLE 2X1 gigabit MagJack® (with LED)	PART NO. / DRAWING NO. 0845-2S1T-E4	STANDARD DIM. TOL. IN INCH .X .XX .XXX	[] METRIC DIM. AS REFERENCE UNIT : INCH [mm] SCALE : N/A	REV. : PD SIZE : A4 PAGE : 3	
DRAWN BY DE	DATE 12-27-05		FILE NAME 08452S1TE4PD.DWG				
<p style="text-align: center;">This document is electronically generated. This is a controlled copy if used internally</p>							

THE INFORMATION CONTAINED HEREIN IS CONSIDERED "PROPRIETARY" TO BEL FUSE INC. AND SHALL NOT BE COPIED, REPRODUCED OR DISCLOSED WITHOUT THE WRITTEN APPROVAL OF BEL FUSE INC.

PRELIMINARY



NOTES:

- PLASTIC HOUSING: THERMOPLASTIC PBT
FLAMMABILITY RATING UL 94V-0
- CONTACT PLATING: 50 MICRO-INCH HARD GOLD PLATING
- OUTPUT PINS: TIN-COATED COPPER WIRE, DIA 0.018 INCH.
- METAL SHIELD: NICKEL PLATED COPPER ALLOY.
(ALL GROUND LEADS ARE SOLDER DIPPED)
- RoHS COMPLIANCE, PER EU DIRECTIVE 2002/95/EC.

- [1] JACK CAVITY CONFORMS TO FCC RULES AND REGULATIONS, PART 68 SUBPART F.
- [2] MARK PART WITH MFG LOGO, MFG NAME, PART NUMBER, AND DATE CODE.

UL RECOGNIZED - FILE #E196366 AND E169987.

ORIGINATED BY	DATE	TITLE	PART NO. / DRAWING NO.	STANDARD DIM.		[] METRIC DIM. AS REFERENCE	
				TOL. IN INCH		UNIT : INCH [mm]	REV. : PD
BILL	12-27-05	2X1 glgabit MagJack® (with LED)	0845-2S1T-E4	.X		SCALE : N/A	SIZE : A4
DRAWN BY	DATE		FILE NAME	.XX			PAGE : 4
GIN	12-27-05		08452S1TE4PD.DWG	.XXX	±0.010		

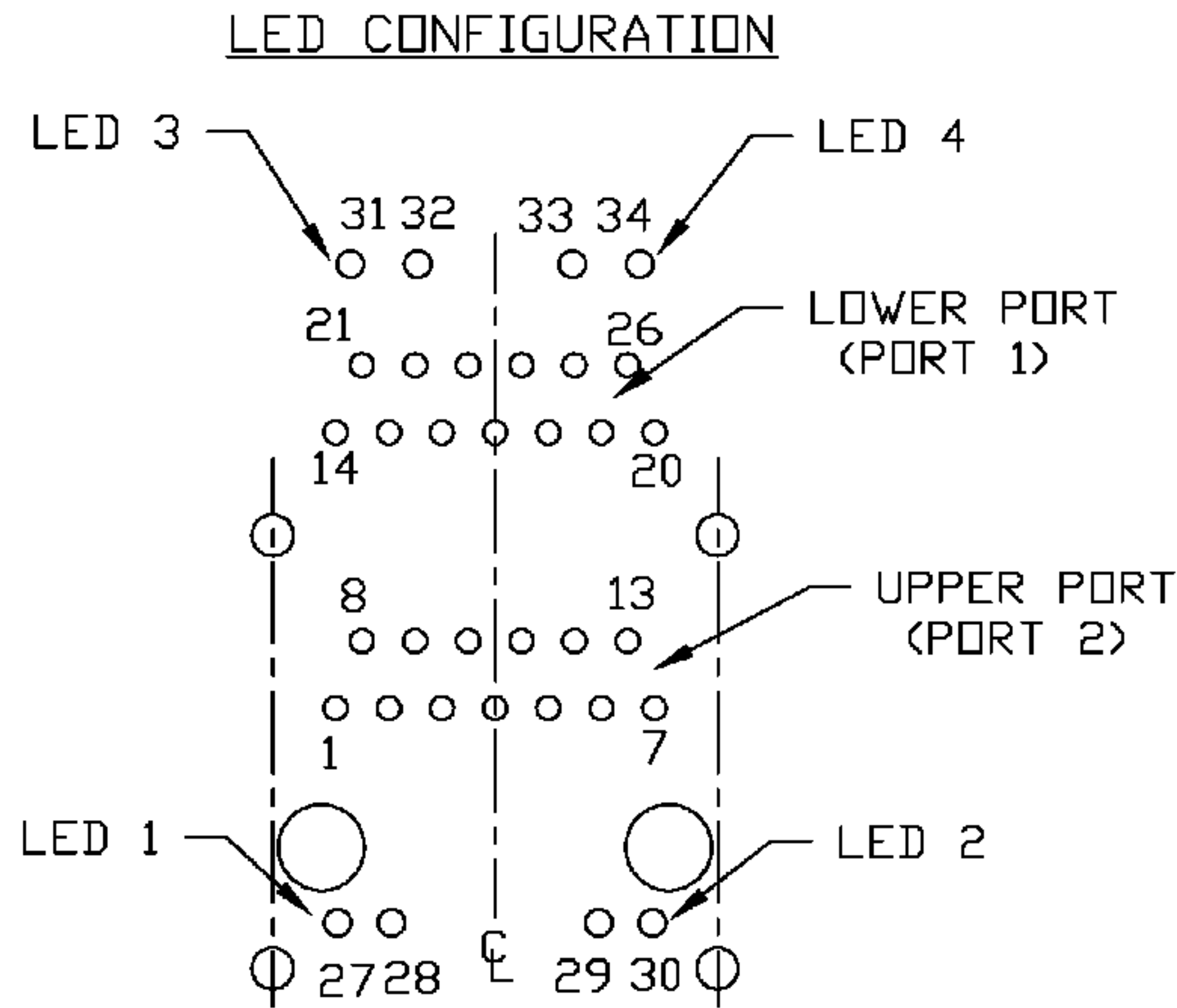


THE INFORMATION CONTAINED HEREIN IS CONSIDERED "PROPRIETARY" TO BEL FUSE INC. AND SHALL NOT BE COPIED, REPRODUCED OR DISCLOSED WITHOUT THE WRITTEN APPROVAL OF BEL FUSE INC.

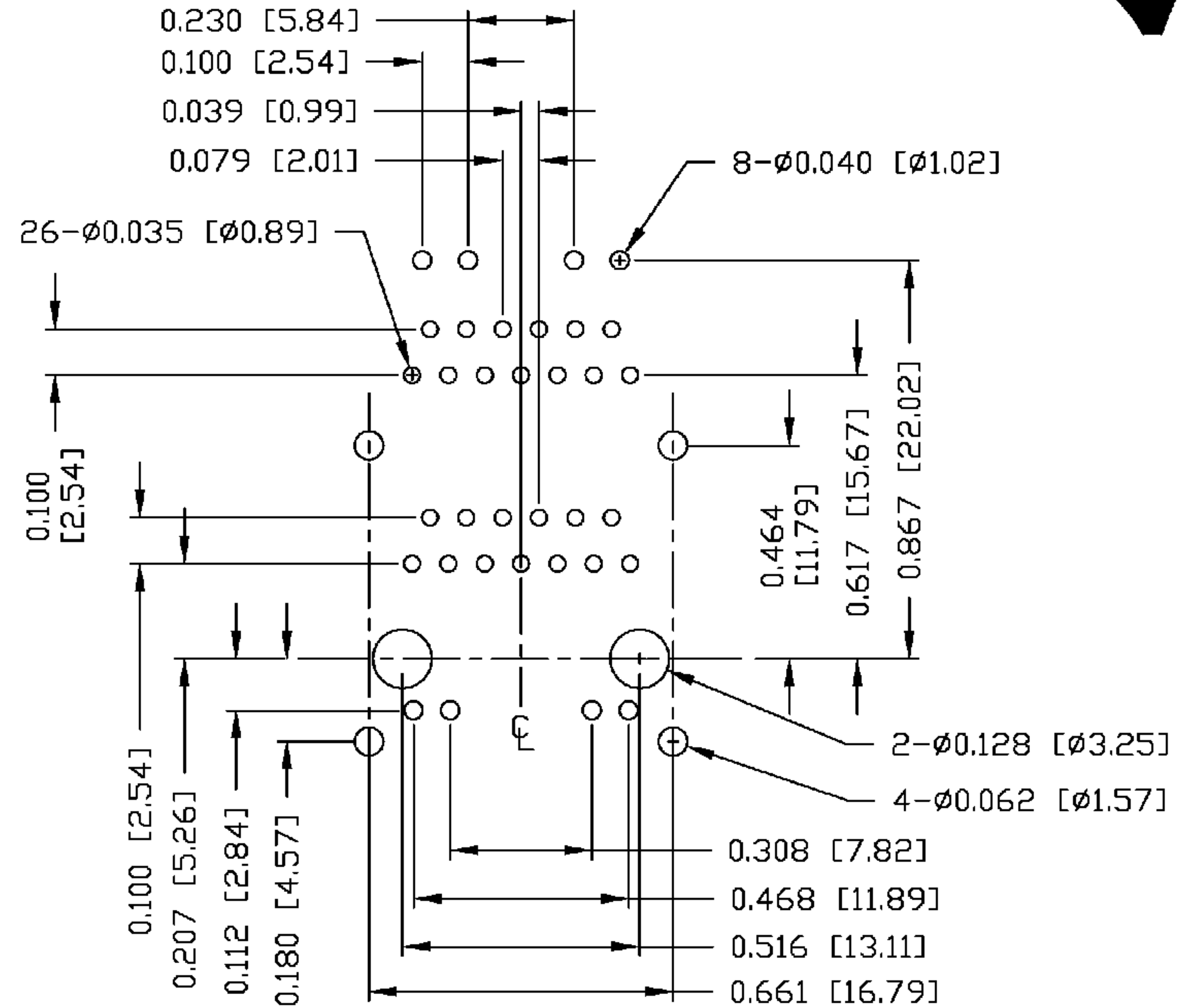
RoHS
2002/95/EC



PRELIMINARY



PIN-OUT INFORMATION
(COMPONENT SIDE VIEW)
(SCALE 2:1)



SUGGESTED FOOTPRINT
(COMPONENT SIDE VIEW)
(SCALE 2:1)

ORIGINATED BY	DATE	TITLE	PART NO. / DRAWING NO.	STANDARD DIM. TOL. IN INCH	[] METRIC DIM. AS REFERENCE
BILL	12-27-05	2X1 gigabit MagJack® (with LED)	0845-2S1T-E4	.X	UNIT : INCH [mm] REV. : PD
DRAWN BY	DATE		FILE NAME	.XX	SCALE : N/A SIZE : A4
QIN	12-27-05		08452S1TE4PD.DWG	.XXX ±0.004	SCALE : N/A SIZE : A4 PAGE : 5

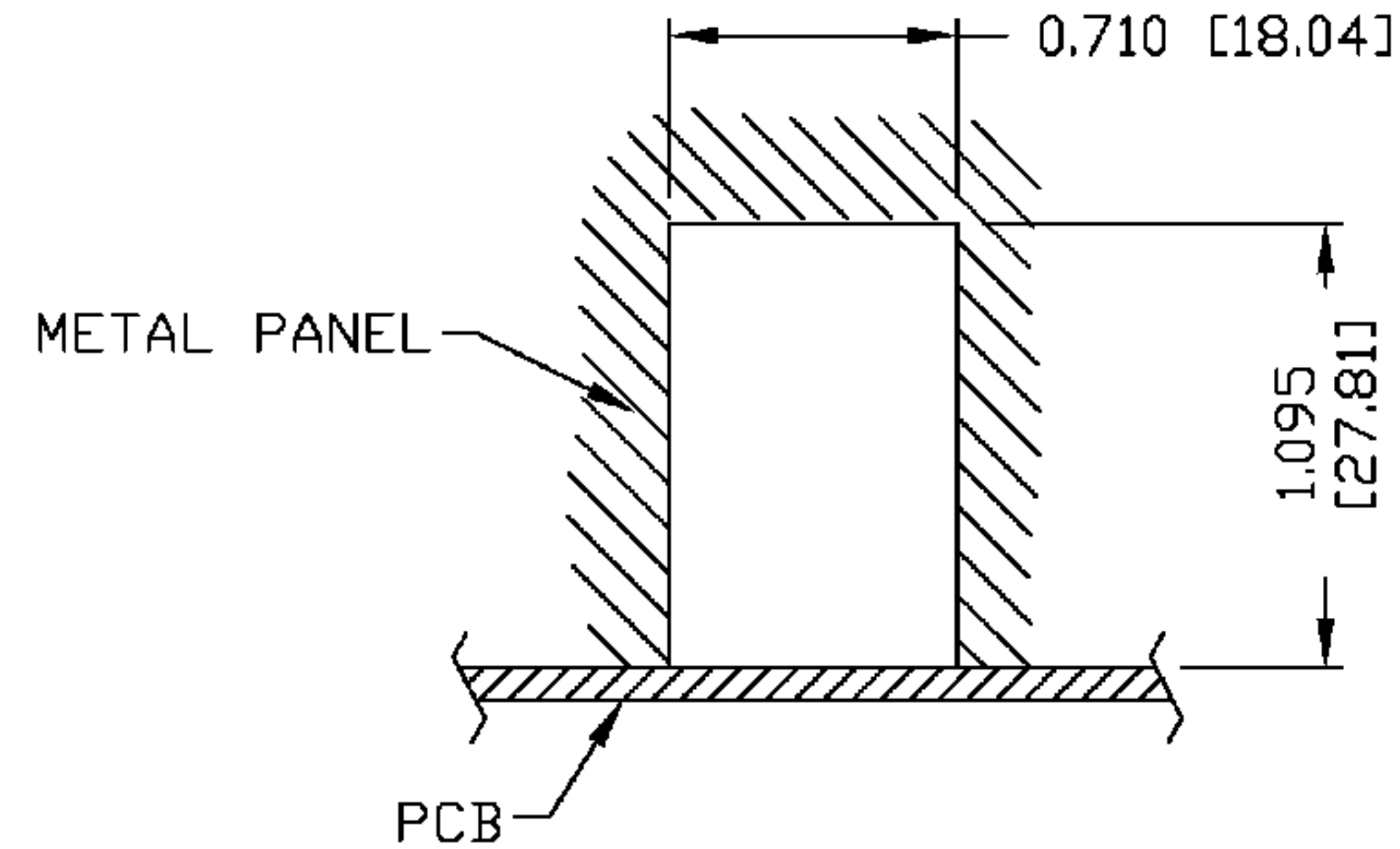
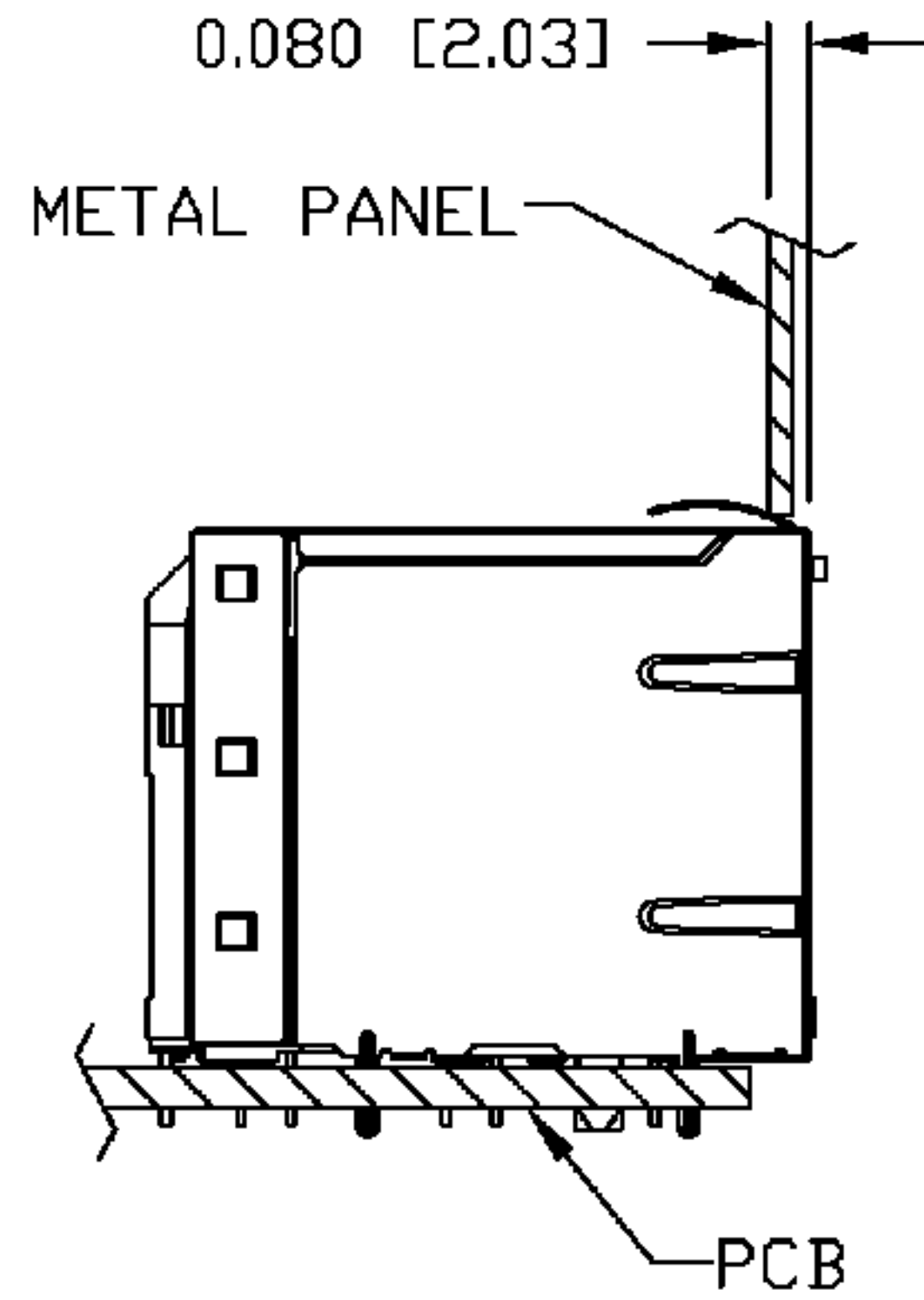


THE INFORMATION CONTAINED HEREIN IS CONSIDERED "PROPRIETARY" TO BEL FUSE INC. AND SHALL NOT BE COPIED, REPRODUCED OR DISCLOSED WITHOUT THE WRITTEN APPROVAL OF BEL FUSE INC.

PRELIMINARY



SUGGESTED PANEL OPENING



NOTE:

THE DISTANCE OF PANEL INSIDE SURFACE RELATIVE TO FRONT SURFACE OF PART IS ONLY A SUGGESTION. IN CASE THIS DISTANCE IS DIFFERENT, THE REQUIRED PANEL OPENING DIMENSIONS CHANGE ACCORDINGLY.

PACKING INFORMATION

PACKING TRAY: 0200-9999-H5 (TOP)
0200-9999-H6 (BOTTOM)

PACKING QUANTITY: 40 PCS FINISHED GOODS PER TRAY
6 TRAYS (240 PCS FINISHED GOODS) PER CARTON BOX.

NOTE: CARDBOARD ARE PLACED BETWEEN LAYERS OF PACKING TRAY INSIDE CARTON BOX.
(INCLUDE THE UPPERMOST AND LOWEREST TRAY)

ORIGINATED BY	DATE	TITLE	PART NO. / DRAWING NO.	STANDARD DIM.		[] METRIC DIM. AS REFERENCE	
				TOL. IN INCH		UNIT : INCH [mm]	REV. : PD
BILL	12-27-05	2X1 gigabit MagJack® (with LED)	0845-2S1T-E4	.X		SCALE : N/A	SIZE : A4
DRAWN BY	DATE		FILE NAME	.XX			PAGE : 6
QIN	12-27-05		08452S1TE4PD.DWG	.XXX	±0.004		

