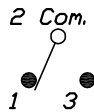


RECOMMENDED P.C.B LAYOUT

SCALE: 2X

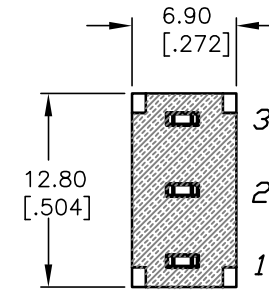
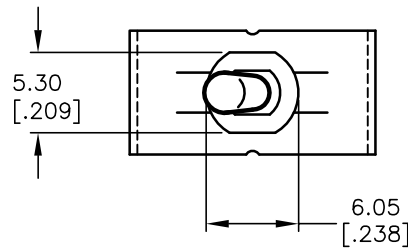


SPDT CIRCUIT CONTACT CONFIGURATION

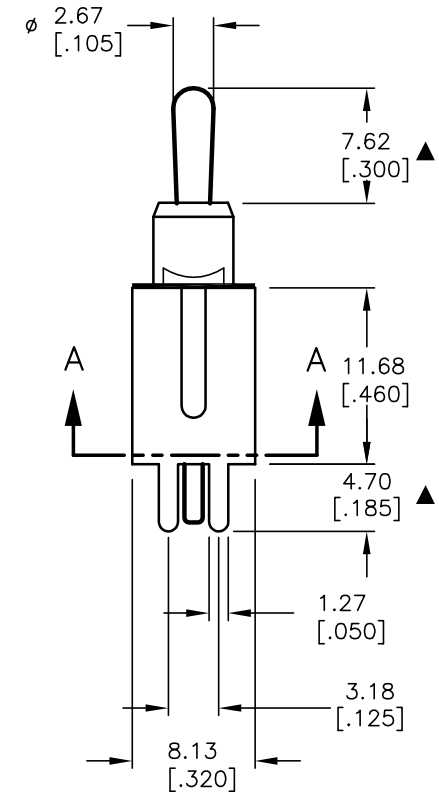
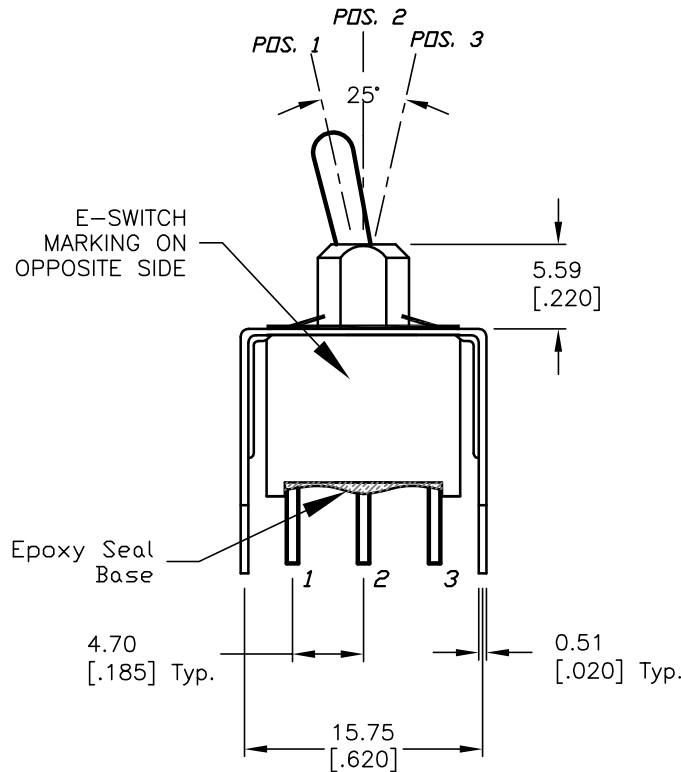
SWITCH FUNCTION		
PDS. 1	PDS. 2	PDS. 3
<DN>	OFF	<DN>
2-3	OPEN	2-1

NOTES: (DN) = MOMENTARY

1. ALL DIMENSIONS IN MM
2. GENERAL TOLERANCE: X.X=±0.4
X.XX=±0.25
3. TERMINAL NUMBERS FOR REF ONLY
4. RATING: 5A @120V AC or 28VDC;
2A @250VAC
- ▲ 5. FIXED TERM. & MOVING CONTACT:
COPPER ALLOY w/Silver plate
6. ELECTRIC LIFE: 50,000 make-and-break cycles
at full load.
7. INSULATION RESISTANCE: 1,000 Mega-ohm min.
8. DIELECTRIC STRENGTH: 1,000 V RMS @sea level.
9. OPERATING TEMP.: -30°C to 85°C
10. ▲ DENOTES CRITICAL PARAMETER.



**SECTION A-A
CONTACTS & BRACKET
REMOVED FOR CLAIRITY**



E-SWITCH®

TITLE					100AWSP4T2B4VS2QE				
SCALE	2:1	DATE	6/17/04	DR	AR	DWG	T104011	REV	A

A	14053	RELEASED FOR PRODUCTION	6/17/04	AR
REV.	ECN No.	DESCRIPTION	DATE	CHKD
THE INFORMATION CONTAINED IN THIS DOCUMENT IS PROPRIETARY TO E-SWITCH AND IS NOT TO BE COPIED OR TRANSFERRED				