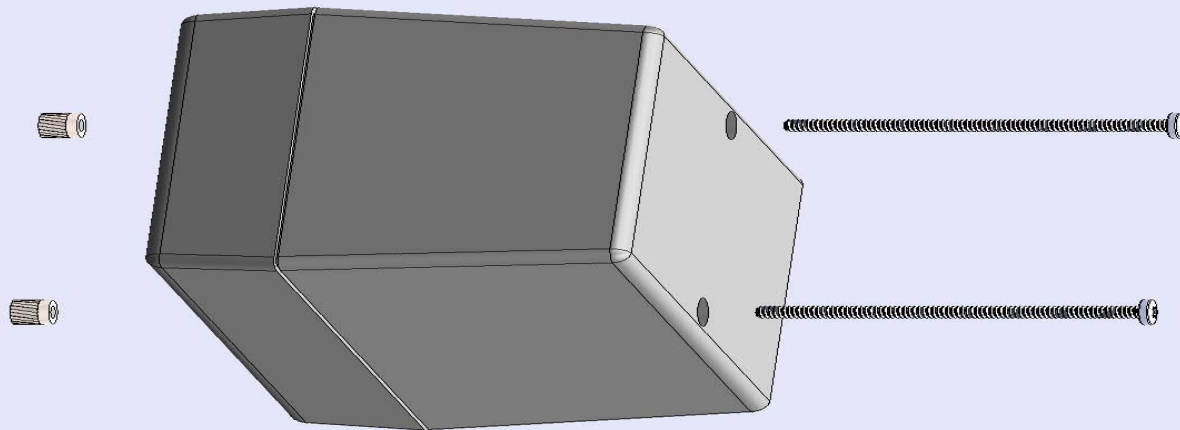
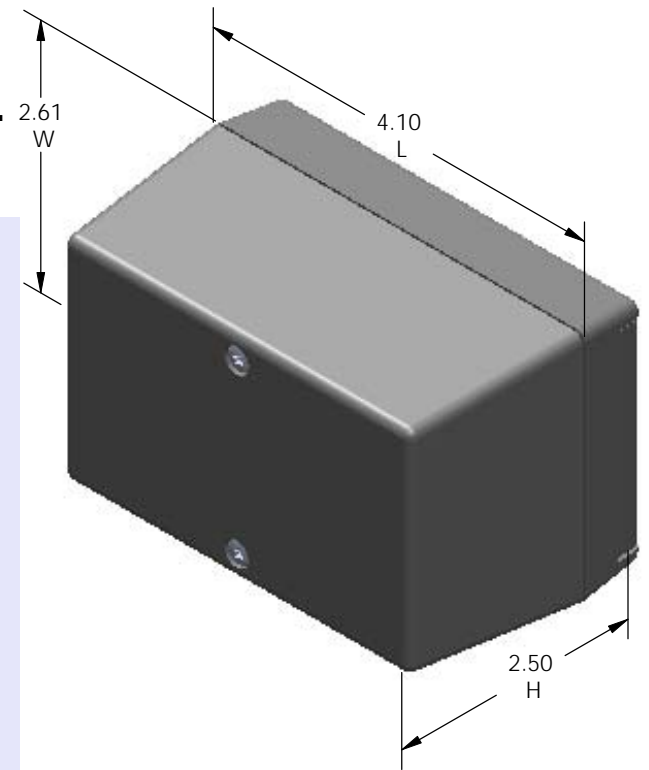


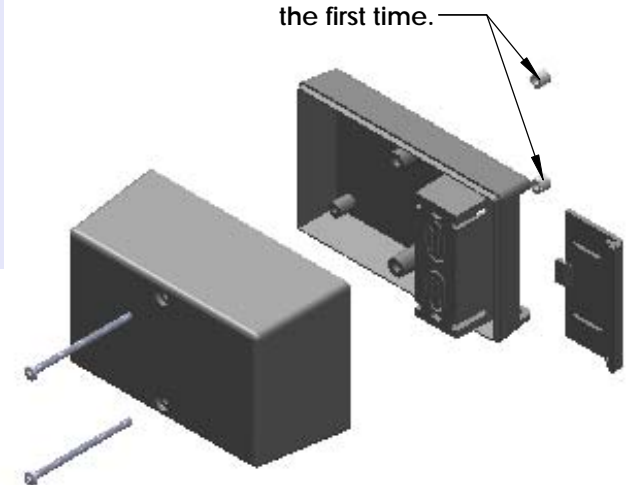
# SERPAC 223R (3D exploded)

Electronic Enclosures

- Click on image to show toolbar. Use  to Play/Pause Animation.
- Left click and drag on image to move 3D model.



Threaded inserts only have to be assembled the first time.



- a) Zoom in & out with center wheel.
- b) Pause at any moment to view and or print views.
- c) Change the views to ortho and section views if needed from the Views pull down menu.
- d) Explore options included in the tool bar like: Views, Transparency of model, Lighting type, etc.

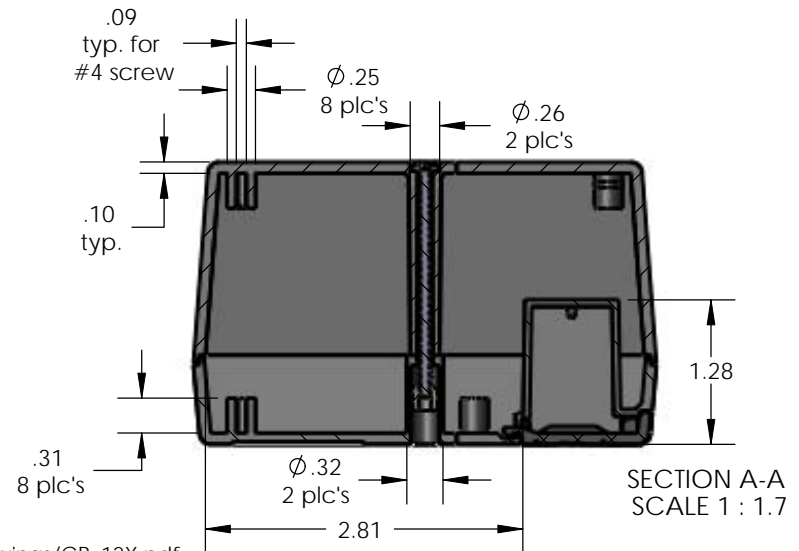
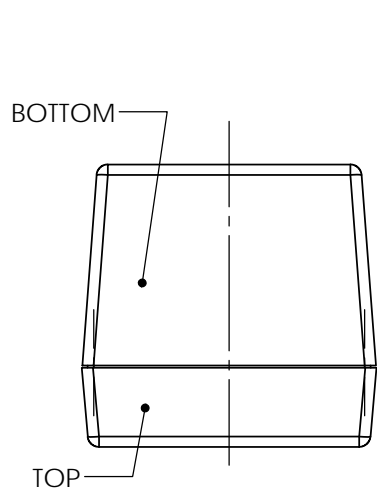
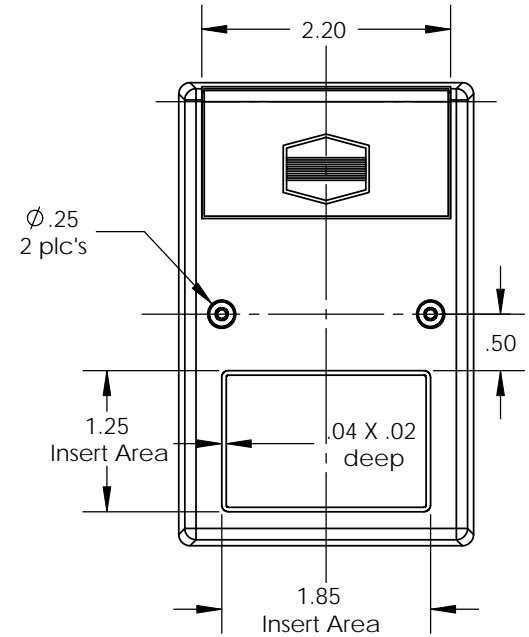
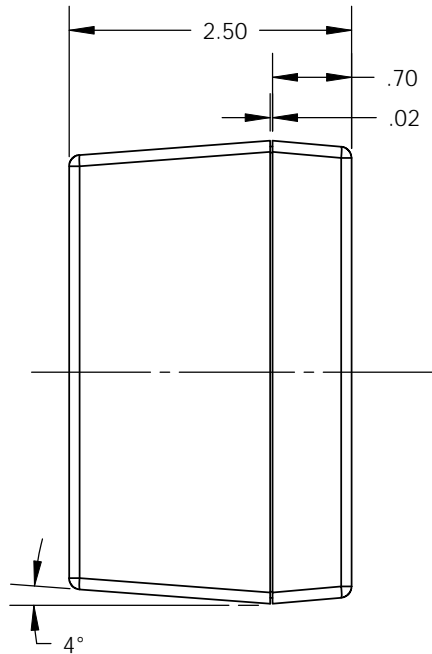
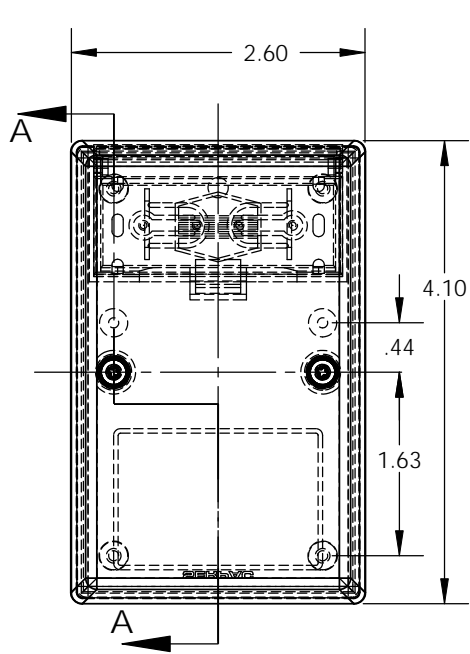
PART NO.	DESCRIPTION (Included)	ACCESSORIES (Optional)	
2-3R	TOP	PART NO.	DESCRIPTION
22	BOTTOM	319	Prototype grid board (bottom)
1025	Battery Cover	419	Prototype clad board (bottom)
6019	4-40 Screws (2)		
6102	Threaded Inserts (2)		

Notes: Enclosure weight .22 lbs / 102 gm  
 1) Enclosure meets or exceeds IP40 and NEMA 1  
 2) Circuit Board drawings can be download at:  
 TOP: [http://www.serpac.com/Accessories/CircuitBoard/drawings/CB\\_12X.pdf](http://www.serpac.com/Accessories/CircuitBoard/drawings/CB_12X.pdf)  
 BOTTOM: <http://www.serpac.com/Accessories/CircuitBoard/drawings/319-419.pdf>  
 3) All components are RoHS Compliant.

**ALL DIMENSIONS ARE ±.010" 8/04/10 (1 of 2)**  
 2009 Wright Ave. La Verne, CA 91750  
 Ph. (626) 331-0517 Fx. (626) 331-8584 [serpac.com](http://serpac.com)

# SERPAC 223R (user print)

Electronic Enclosures



PART NO.	DESCRIPTION (Included)	ACCESSORIES (Optional)	
		PART NO.	DESCRIPTION
2-3R	TOP		
22	BOTTOM	359	Prototype grid board (bottom)
1025	Battery Cover	459	Prototype clad board (bottom)
6019	4-40 Screws (2)		
6102	Threaded Inserts (2)		

Notes: Enclosure weight .22 lbs / 102 gm  
 1) Enclosure meets or exceeds IP40 and NEMA 1  
 2) Circuit Board drawings can be download at:  
 TOP: [http://www.serpac.com/Accessories/CircuitBoard/drawings/CB\\_12X.pdf](http://www.serpac.com/Accessories/CircuitBoard/drawings/CB_12X.pdf)  
 BOTTOM: <http://www.serpac.com/Accessories/CircuitBoard/drawings/319-419-cbg.pdf>  
 3) All components are RoHS Compliant.

**ALL DIMENSIONS ARE ± .010" 8/04/10 (2 of 2)**  
 2009 Wright Ave. La Verne, CA 91750  
 Ph. (626) 331-0517 Fx. (626) 331-8584 [www.serpac.com](http://www.serpac.com)