

MSD INC.

ENGINEERING DATA SHEET

RELAY TYPE: FCB-205-0228M

COMPUTER PART No.: 9347526

TEST PROCEDURE

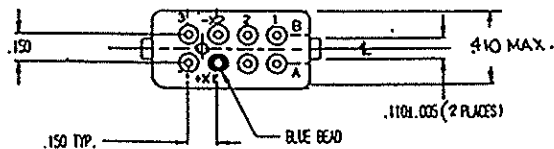
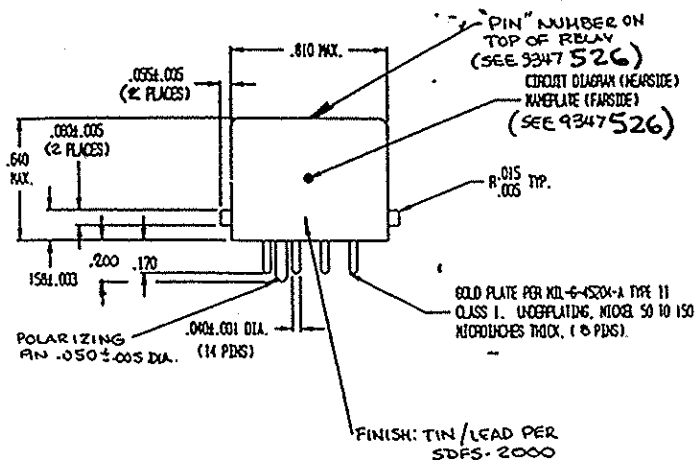
CUSTOMER/SPECIFICATION: M83536/2-028M

REV NONE

MSDP-790

TEST REQUIREMENTS

COIL RES.: $\pm 10\%$ 500 OHMS OPERATE TIME: 5 mS MAX RELEASE TIME: 5 mS MAX
 CONTACT MAKE BOUNCE: 1 mS MAX N.O. BREAK BOUNCE: 0.1 mS MAX
 CONTACT STABILIZATION TIME: 2.5 mS MAX RATED COIL VOLTAGE: 28Vdc
 CONTACT RES.: MFG TEST: .040 OHMS @ 10mA-6Vdc FINAL TEST: .050 OHMS @ 10mA-6Vdc
 CONTACT VOLTAGE DROP: FINAL TEST: .100 V MAX @ 5A-6Vdc
 HI-POT: 1000 Vrms ALL POINTS
 INSULATION RESISTANCE: 100 MEGOHMS MIN. @ 500 Vdc
 VIBRATION: SEE SPECIAL INSTRUCTIONS BELOW
 SEAL TEST: 1×10^{-8} MAX LEAK RATE COIL TRANSIENT SUPPRESSION: 42 Vdc MAX
 OTHER: _____



Prepared By: Date		Approved By: Date	
LES WYNNE 3-20-96		<i>[Signature]</i> 3-21-96	
Rev	ECN No.	Date	
B	97-405	11-2-97	

SPECIAL INSTRUCTIONS

VIBRATION: MIL-STD-202, METHOD 204
 0.06 DOUBLE AMPLITUDE, 10-55 Hz
 10G's/55 - 500 Hz
 20G's/500 - 3000 Hz