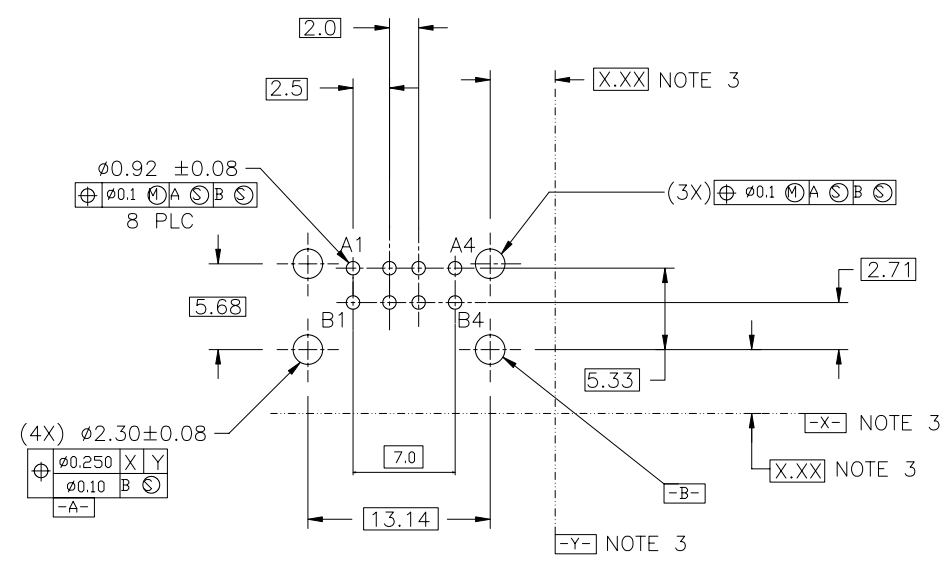
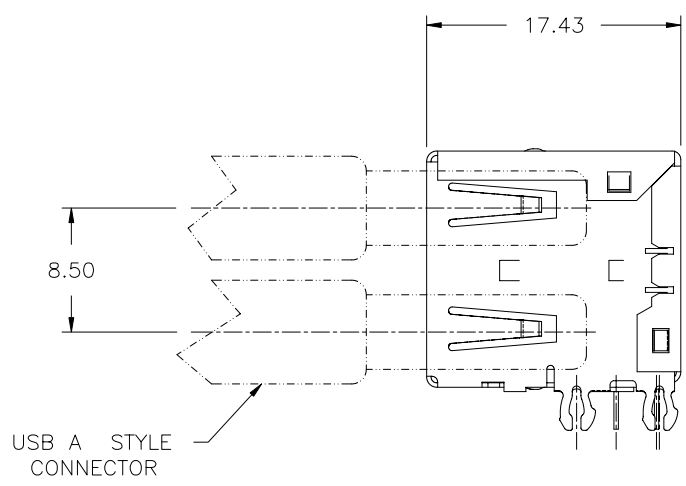


PRODUCT NUMBER  
SEE PRODUCT NUMBER CODE



RECOMMENDED PC DIMENSIONS

NOTES:

1. MATERIAL:
  - CONTACTS; COPPER ALLOY.
  - SHELL; COPPER ALLOY.
  - HOUSING; THERMOPLASTIC, UL 94-V0 RATING
2. PLATING:
  - TERMINALS CONTACT AREA: 0.76um MINIMUM GXT (GOLD FLASH OVER 0.76um PALLADIUM NICKEL)
  - SOLDER TAIL AREA: GOLD FLASH
  - UNDERPLATING; 1.27um NICKEL ALL OVER
  - SHELL; 2.5um MINIMUM BRIGHT TIN/LEAD FOR 52454-X000B AND PURE TIN FOR 52454-X000BLF
  - UNDERPLATING; 1.27um NICKEL ALL OVER
  - CENTER GROUND; 2.5um MINIMUM NICKEL
3. DATUMS AND BASIC DIMENSIONS ESTABLISHED BY CUSTOMER.
4. RECOMMENDED PC BOARD THICKNESS OF 1.57mm.
5. PRODUCT NUMBER- SEE PRODUCT NUMBER CODE.
6. DIELECTRIC WITHSTANDING VOLTAGE 125VDC
7. P/N'S WITH SUFFIX "LF" ARE LEAD FREE P/N'S
8. PACKING STANDARD GS-14-920 WILL BE APPLIED FOR LEAD FREE P/N'S
9. FOR LEAD FREE P/N, THE PRODUCT MEET EUROPEAN UNION DIRECTIVES AND OTHER COUNTRY REGULATION AS DESCRIBED IN GS-22-008
10. FOR LEAD FREE P/N, THE HOUSING WILL WITHSTAND EXPOSURE TO 260°C PEAK TEMPERATURE FOR 40 SECONDS IN A CONVECTION, INFRO-RED OR VAPOR PHASE REFLOW OVEN.

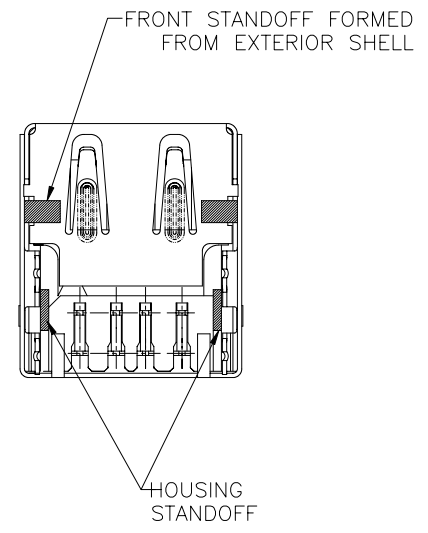
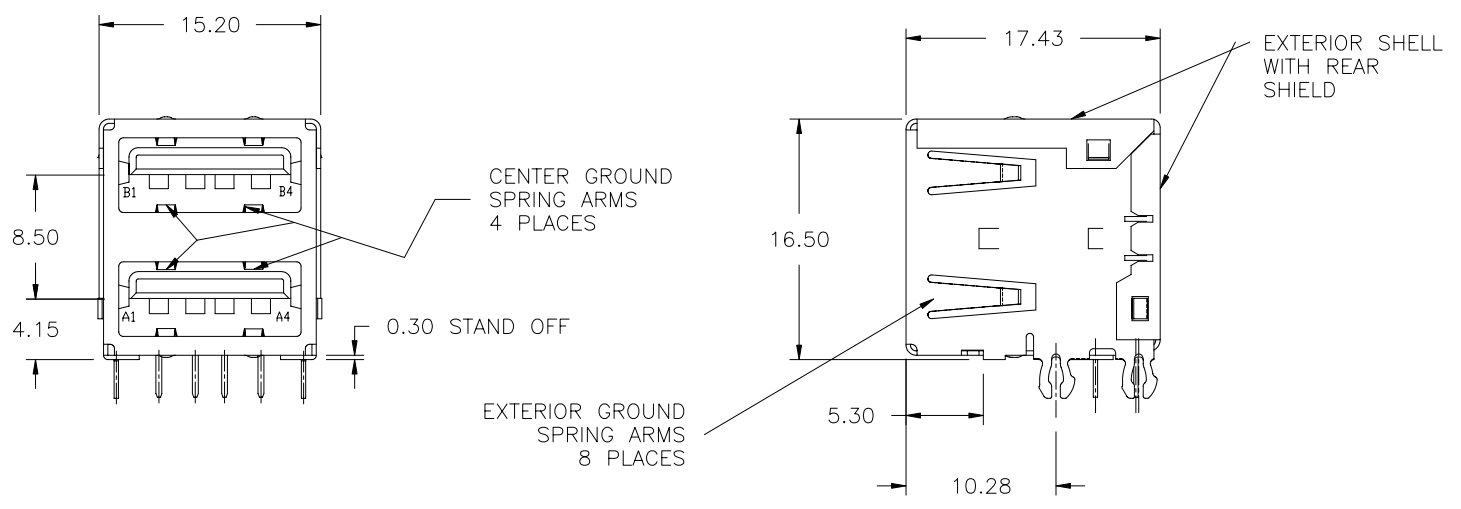
Tous droits strictement reserves. Reproduction ou communication a des tiers interdite sous quelque forme que ce soit sans autorisation ecrite du proprietaire. Propriete de ©BERG ELECTRONICS. Droits de reproduction BERG ELECTRONICS INC.

All rights strictly reserved. Reproduction or issue to third parties in any form whatever is not permitted without written authority from the proprietor. Property of ©BERG ELECTRONICS Copyright BERG ELECTRONICS INC.



mat'l. code SEE NOTE 1				tolerances unless otherwise specified		CUSTOMER COPY	 www.fciconnect.com	
ltr	ecn no	dr	date	linear	angles			projection
A	T90366	PP	10/25/99	.X ±.3	0° ±2°	 mm	USB D/D ASSEMBLY  product family USB size dwg no 52454 code 213 sheet 1 of 3	
B	T20162	WL	05/20/02	.XX ±.20				scale
C	N05-0079	PH	03/21/05	.XXX ±.100				2 : 1
				dr	PETER	9/28/99		
				enrg	R Y LIU	9/28/99		
				chr	R Y LIU	9/28/99		
				appd	J. TSAO	9/28/99		
sheet index	revision sheet	C 1	C 2	C 3				

PRODUCT NUMBER  
SEE PRODUCT NUMBER CODE



Tous droits strictement reserves. Reproduction ou communication a des tiers interdite sous quelque forme que ce soit sans autorisation ecrite du proprietaire. Propriete de ©BERG ELECTRONICS. Droits de reproduction BERG ELECTRONICS INC.

All rights strictly reserved. Reproduction or issue to third parties in any form whatever is not permitted without written authority from the proprietor. Property of ©BERG ELECTRONICS Copyright BERG ELECTRONICS INC.



mat'l. code SEE NOTE 1				tolerances unless otherwise specified		CUSTOMER COPY	 www.fciconnect.com
ltr	ecn no	dr	date	linear	.X ±.3		
c						.XX ±.20	
				angles	.XXX ±.050	mm	
				dr	0° ±2°		scale
				enr	PETER 9/28/99	2:1	
				chr	R Y LIU 9/28/99		cage code
				appd	R Y LIU 9/28/99	Released	
					J. TSAO 9/28/99		
sheet index	revision sheet						

PRODUCT NUMBER  
SEE PRODUCT NUMBER CODE

PRODUCT NUMBER CODE

52454 - X 0 0 X B LF

BASE PRODUCT NUMBER

HOUSING COLOR OPTIONS

- 0 - WHITE
- 1 - BLACK

TERMINAL PLATING OPTIONS

- 0 - 30µ" GTX CONTACT AREA

PACKAGING

- B - TUBES

LEAD FREE OPTION

Tous droits strictement reserves. Reproduction ou communication a des tiers interdite sous quelque forme que ce soit sans autorisation ecrite du proprietaire. Propriete de ©BERG ELECTRONICS. Droits de reproduction BERG ELECTRONICS INC.



All rights strictly reserved. Reproduction or issue to third parties in any form whatever is not permitted without written authority from the proprietor. Property of ©BERG ELECTRONICS Copyright BERG ELECTRONICS INC.

mat'l. code SEE NOTE 1				tolerances unless otherwise specified			CUSTOMER COPY		 www.fciconnect.com	
ltr	ecn no	dr	date	linear	.X ±.3		projection	 title USB D/D ASSEMBLY		
c					.XX ±.20					
					.XXX ±.050					
				angles	0° ±2°		 mm	product family		code
				dr	PETER	9/28/99		USB		213
				enr	R Y LIU	9/28/99		size dwg no		sheet
				chr	R Y LIU	9/28/99		A		3 of
				appd	J. TSAO	9/28/99		52454		
sheet index	revision sheet						scale	2 : 1		