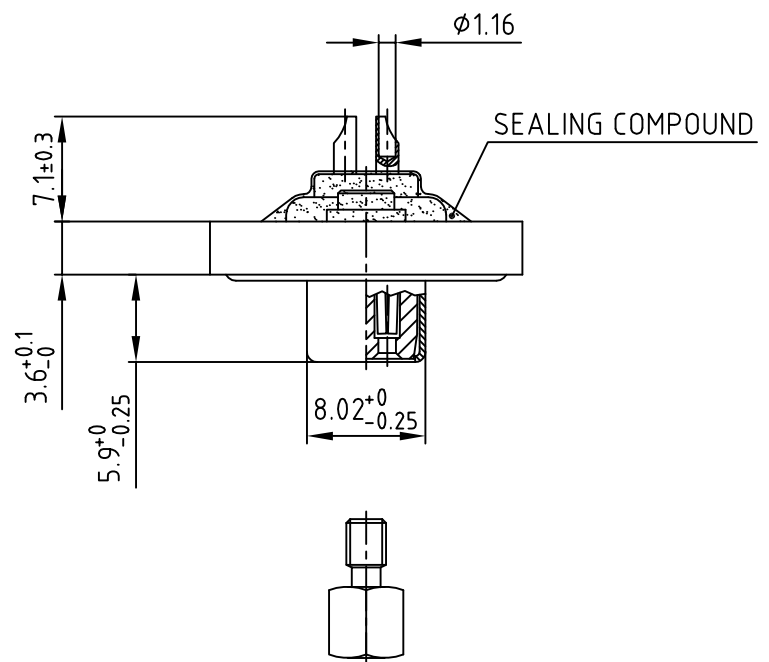
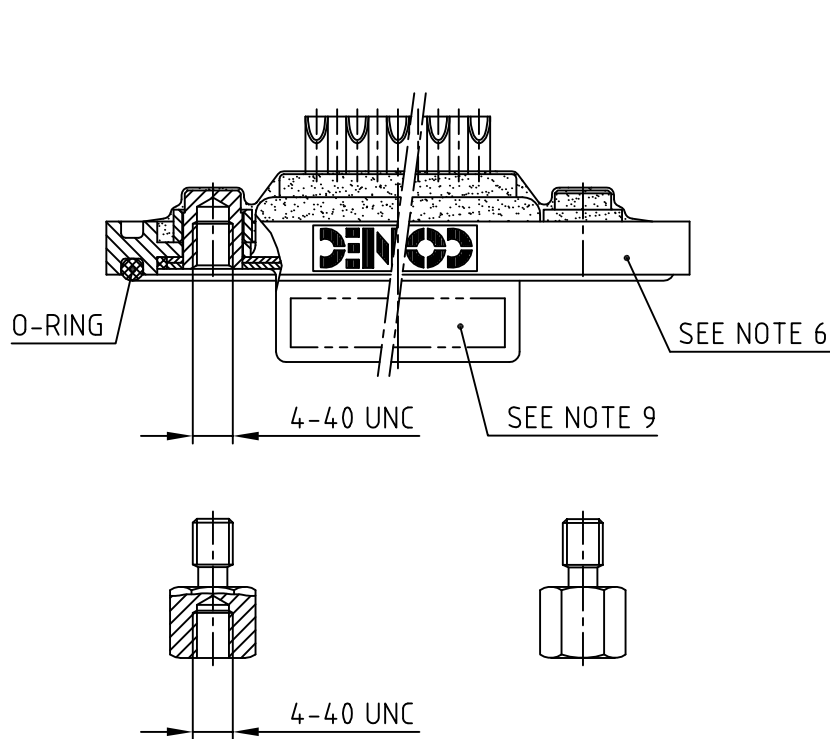
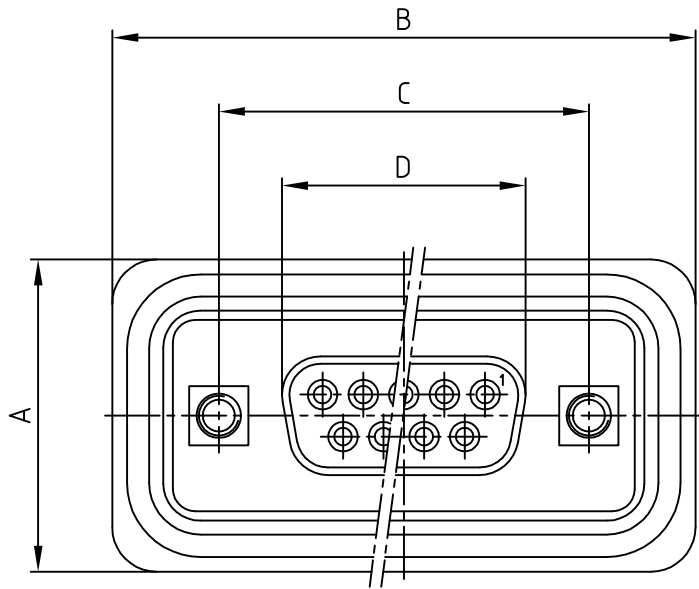


used for: D-SUB

AT ALL TIMES WATER RESISTANT CONNECTORS NOT IN USE MUST BE COVERED WITH A CONEC WATER RESISTANT CAP OR WATER TIGHT HOOD TO REACH WATER TIGHTNESS.

No. of pos.	A ^{+0.2}	B ^{+0.2}	C	D _{-0.25}	PART NO.
9	21.1	39.4	25.00 ^{+0.12} / _{-0.13}	16.46	6STD09SAM99B30X
15	21.1	47.7	33.30 ^{+0.15} / _{-0.1}	24.79	6STD15SAM99B30X
25	21.1	61.4	47.04 ± 0.13	38.50	6STD25SAM99B30X
37	21.1	77.9	63.50 ± 0.13	54.96	6STD37SAM99B30X



NOTES:

- METALSHELLS: COPPER ALLOY; min. 320 μ TIN
- INSULATORS: PBT GF UL 94 V-0, BLACK
- CONTACTS: COPPER ALLOY
PLATING: 8 μ HARD GOLD OVER min. 50 μ NICKEL
SOLDER CUP ACCEPTS CABLE AWG 20
- THREADED INSERT: COPPER ALLOY; min. 200 μ TIN over 80 μ NICKEL
- COLLAR: COPPER ALLOY; min. 200 μ TIN over 80 μ NICKEL
- FRAME: ZINC DIECAST; NICKEL PLATED
- HEXLOCKING SCREW: STAINLESS STEEL
- MAXIMUM TORQUE VALUE FOR THREAD: 6" LBS
- CONNECTOR IS PART MARKED: PART-NO. CONEC ABC

Directive 2002/95/EC
„RoHS“
Compliant

APPROVAL # FREIGABE # DEBLOCAGE # AUTORIZACION # APPROVAL	
CUSTOMER APPROVAL DATE:	
NAME:	TITLE:
COMPANY NAME:	
APPROVAL # FREIGABE # DEBLOCAGE # AUTORIZACION # APPROVAL	

THIS DRAWING MAY NOT BE COPIED OR REPRODUCED IN ANY WAY, AND MAY NOT BE PASSED ON TO A THIRD PARTY WITHOUT WRITTEN PERMISSION. OWNERSHIP AND COPYRIGHT OF CONEC GmbH DO NOT ALTER CAD DRAWING BY HAND					
	rev.	description	date	name	

tolerance			scale:	2:1	
			material:	SEE NOTES	
2004	date	name	title: D-SUB FEMALE 9-37pos. SOLDER CUP with threaded insert and hexlocking screw		
drawn	26.11.	Lehmenkühler			
appd.	26.11.	Mickenbecker			
norm	DIN 41652				
d-old			dwg no:	AutoCAD 2004	DIN-A
CONEC [®]				18K1A316	3
			part no:	SEE TABLE	
					sh:1/1