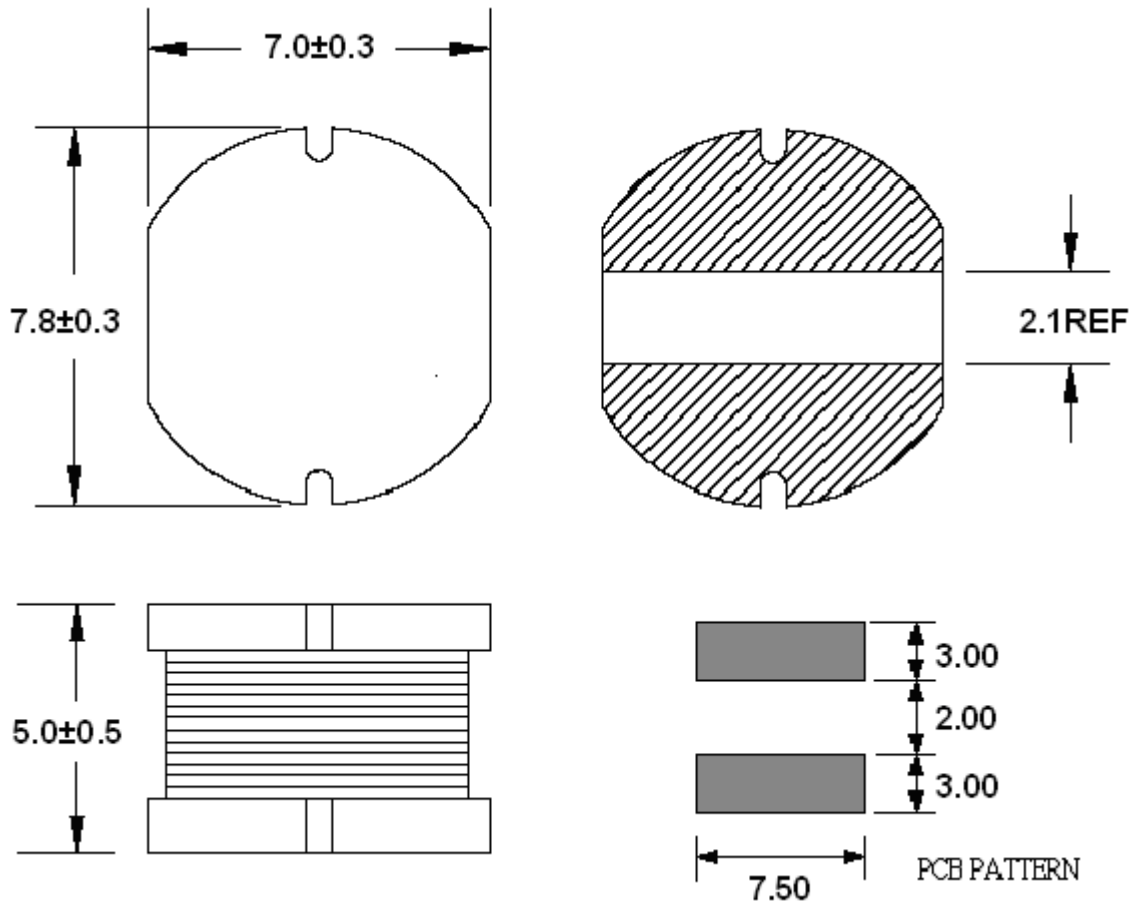


TCK-098



All dimensions in mm

SPECIFICATIONS

Inductance	$22\mu\text{H} \pm 20\%$
	Test Condition: 1KHz/250mV Measurement Instrument: HP 4263B LCR Meter
Impedance	$\text{DCR}_{(\text{Max})}: 110\text{m}\Omega$
	Measurement Instrument: HIOKI 3540 mΩ Hitester
Rated Current	$\text{IDC}_{(\text{Max})}: 1.5\text{A}$
	Measurement Instrument: Agilent 34401A Meter