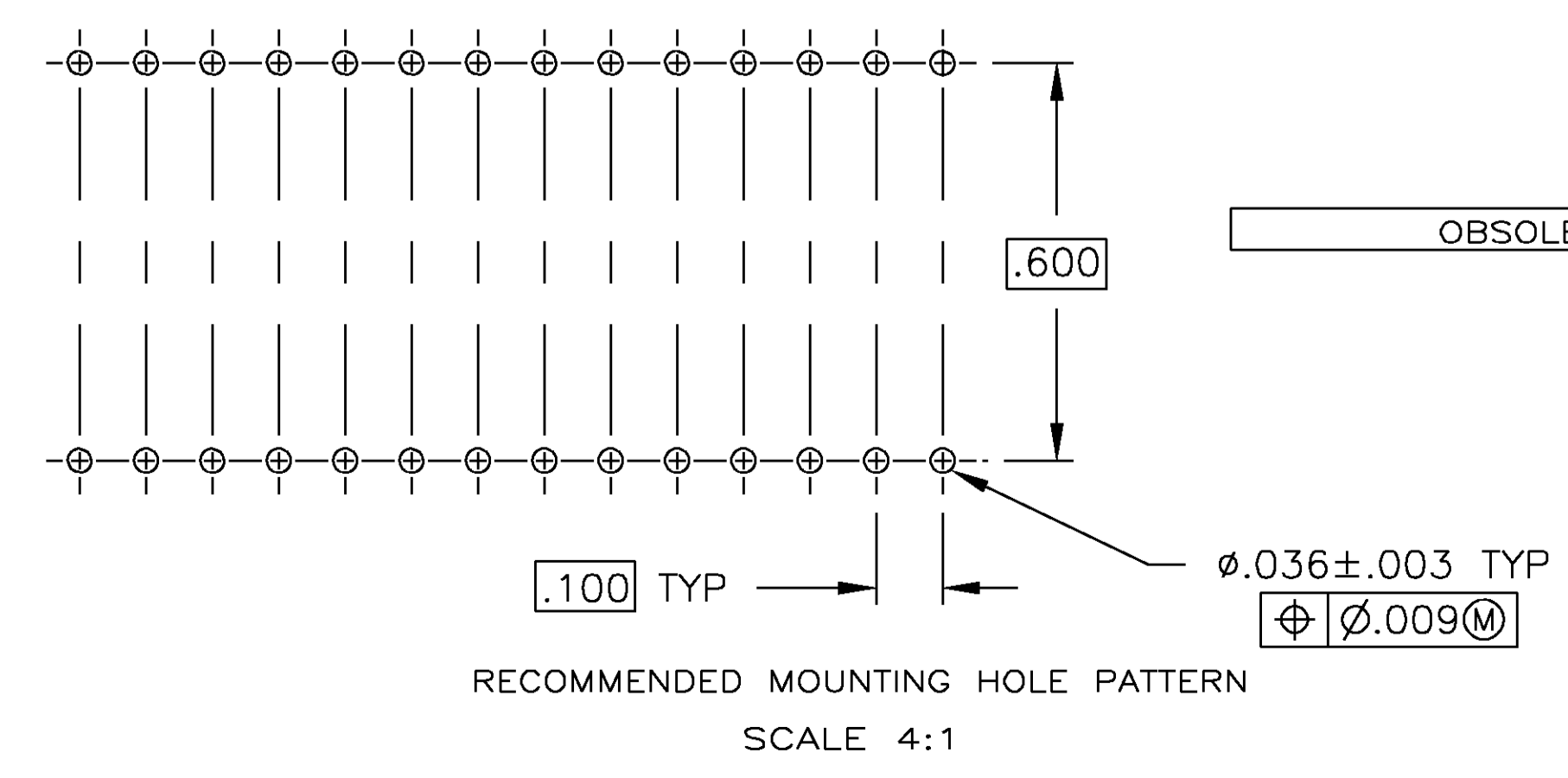
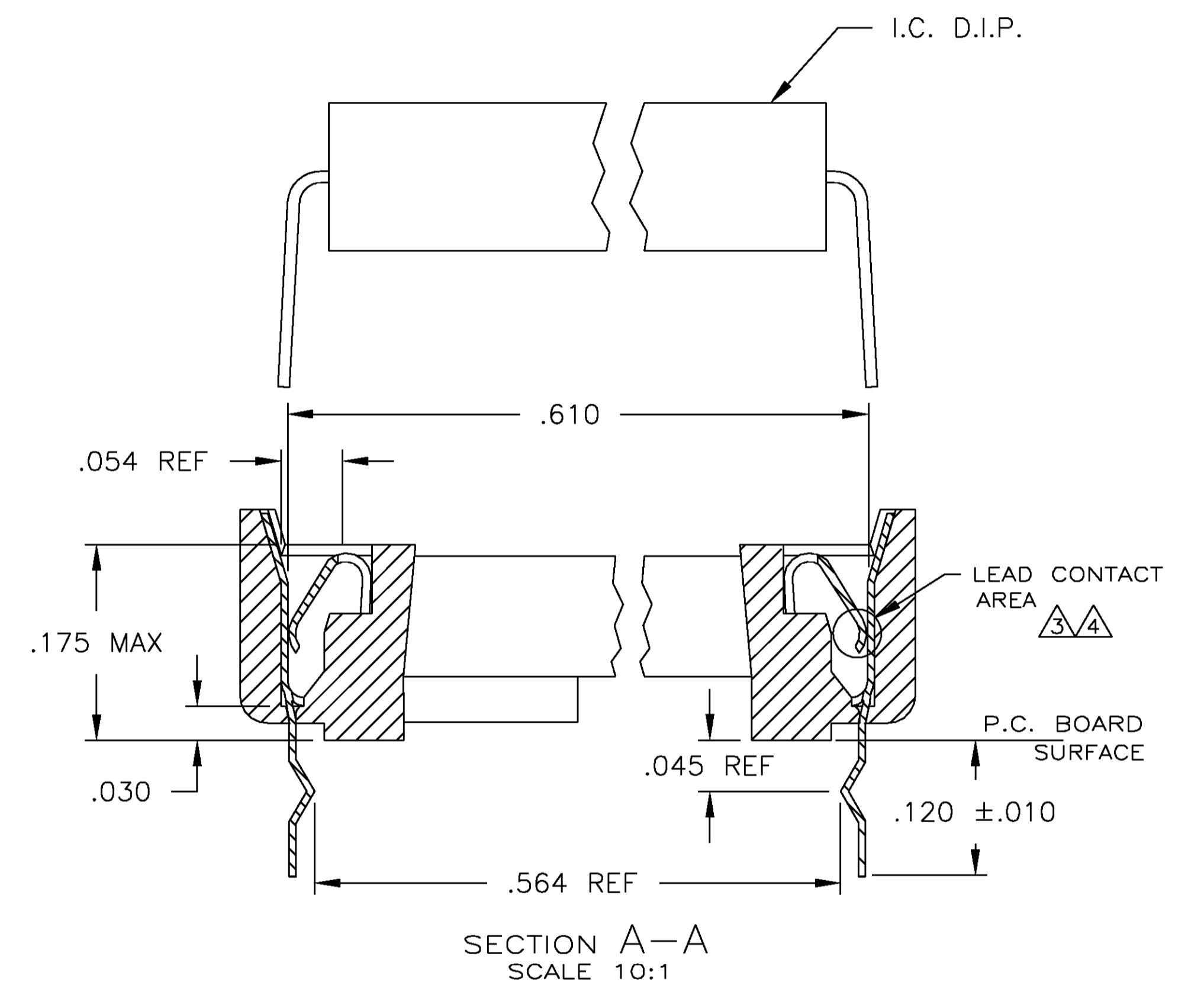
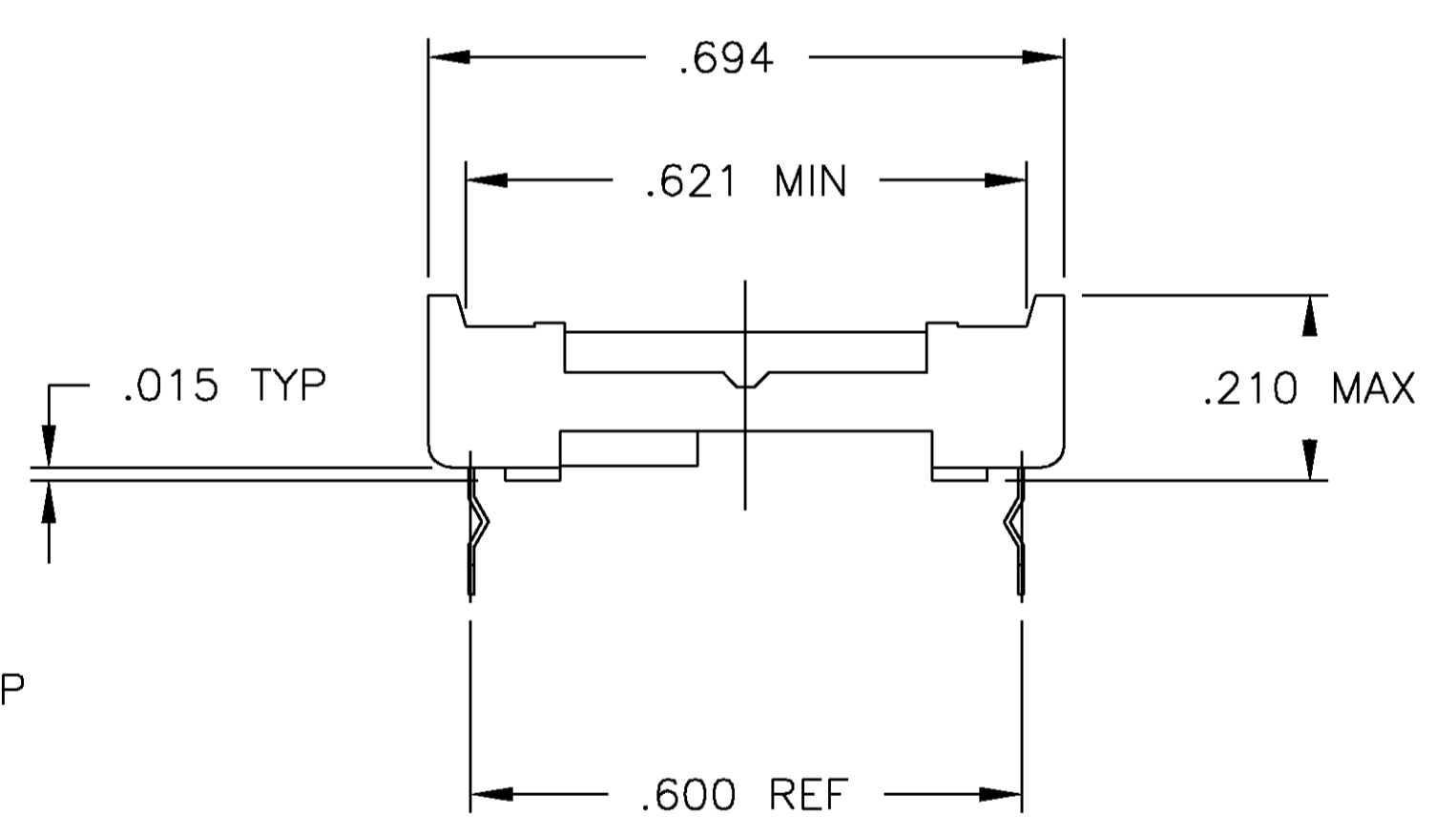
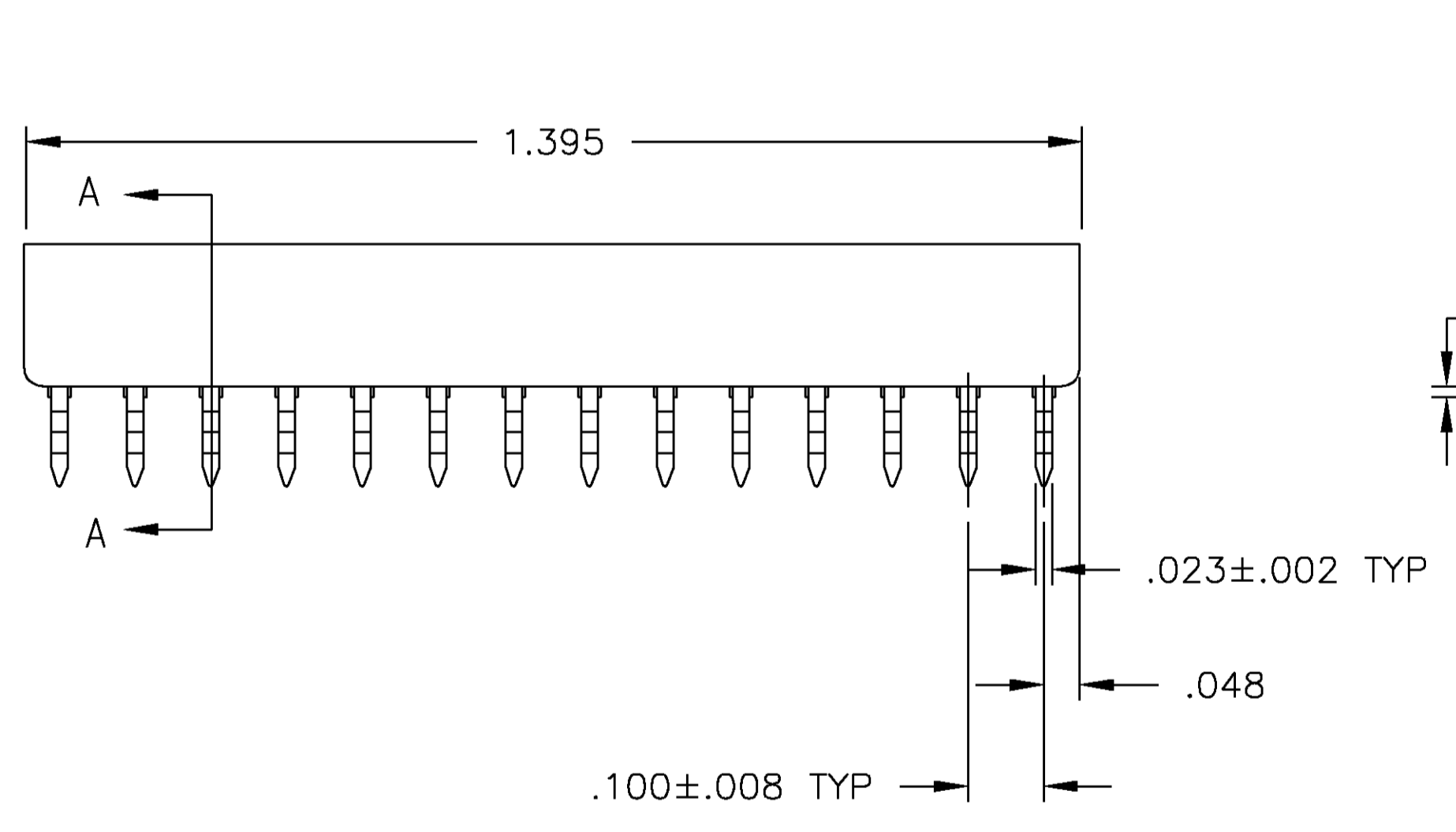
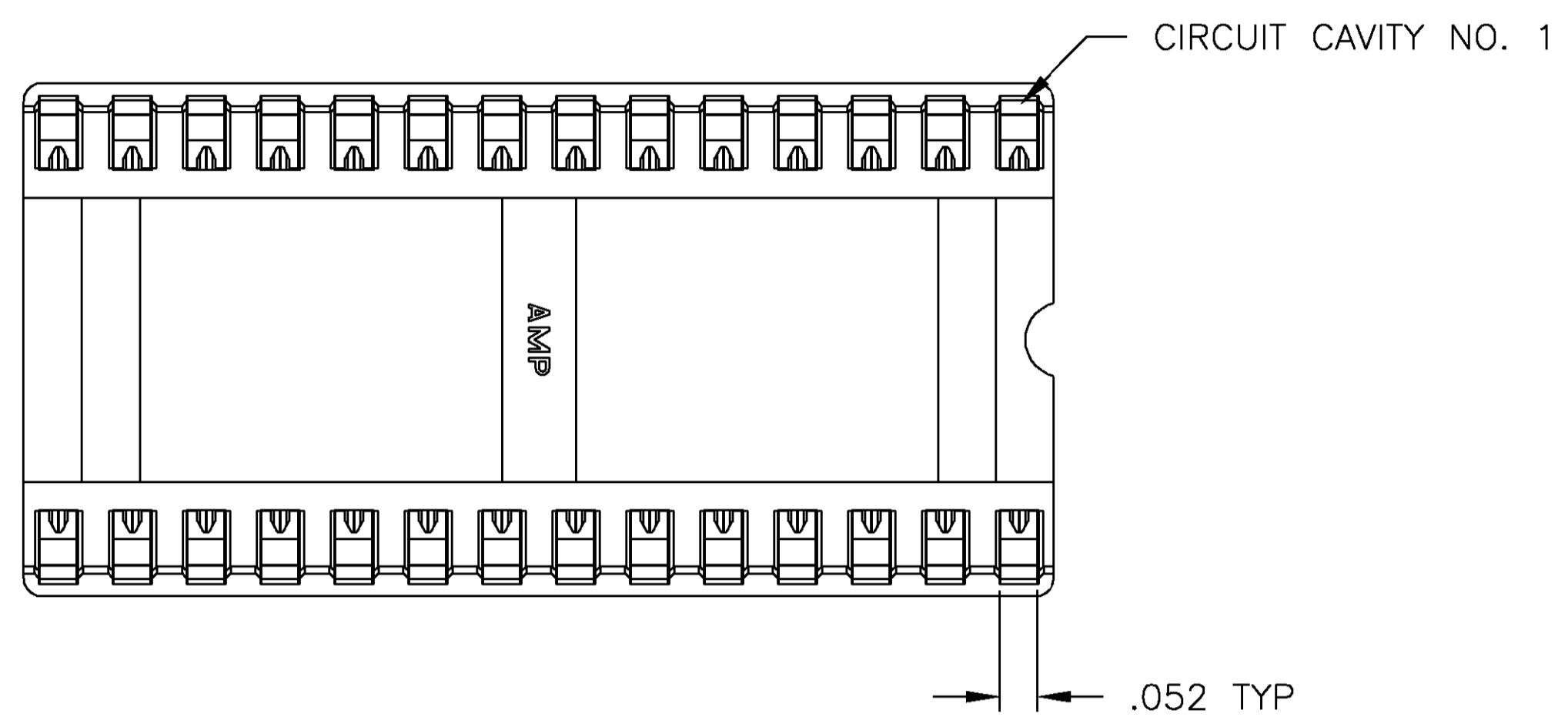


- RECEPTACLE ACCEPTS A .008-.014 THICK I.C. LEAD.
 - TUBE LOADED.
- ⚠ TWO .000030 MIN THK. GOLD STRIPES IN CONTACT AREA WITH TIN-LEAD (93/7) ON CONTACT LEGS, BALANCE OF CONTACT NICKEL PLATED.
 - ⚠ TWO .000015 MIN THK. GOLD STRIPES IN CONTACT AREA WITH TIN-LEAD (93/7) ON CONTACT LEGS, BALANCE OF CONTACT NICKEL PLATED.



OBSOLETE	TINNED	PHOS.BRZ. .006 THK	GLASS-FILLED THERMOPLASTIC, 94V-O, BLACK	2-641615-5
	⚠	PHOS.BRZ. .006 THK	GLASS-FILLED THERMOPLASTIC, 94V-O, BLACK	2-641615-4
	TINNED	PHOS.BRZ. .006 THK	GLASS-FILLED THERMOPLASTIC, 94V-O, BLACK	2-641615-3
	⚠	BE.CU. .006 THK	GLASS-FILLED THERMOPLASTIC, 94V-O, BLACK	2-641615-2
	TINNED	BE.CU. .006 THK	GLASS-FILLED THERMOPLASTIC, 94V-O, BLACK	2-641615-1
CONTACT FINISH	CONTACT MAT'L	HOUSING MATERIAL		PART NO.
THIS DRAWING IS A CONTROLLED DOCUMENT.				
DIMENSIONS: INCHES		TOLERANCES UNLESS OTHERWISE SPECIFIED:		DWG: M. CYRUS
0 PLC ± -		1 PLC ± -		CHK: H. WYNKOOP
1 PLC ± -		2 PLC ± -		APVD: H. WYNKOOP
2 PLC ± -		3 PLC ± .005		17NOV00
3 PLC ± -		4 PLC ± -		NAME: SOCKET ASSY, DIP, LADDER, RET LEG, 28 POS, DIPLOMATE™ DL
4 PLC ± -		ANGLES ± α-30°		PRODUCT SPEC: 108-1066
MATERIAL: SEE TABLE		FINISH: SEE TABLE		APPLICATION SPEC: 114-1049
				SIZE: A1
				CAGE CODE: 00779
				DRAWING NO: 641615
				RESTRICTED TO: -
				SCALE: 5:1
				SHEET: 1 OF 1
				REV: Y