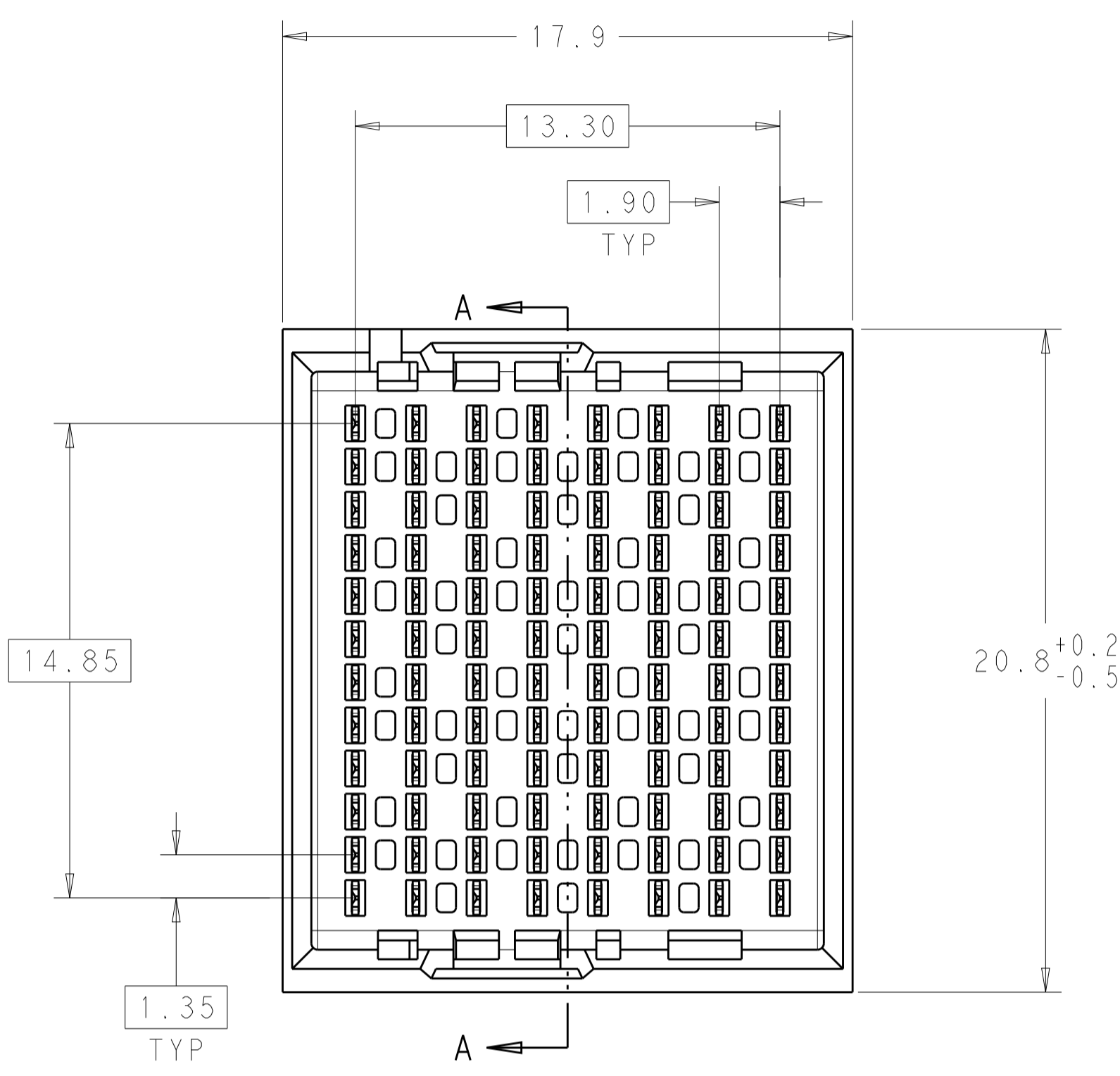
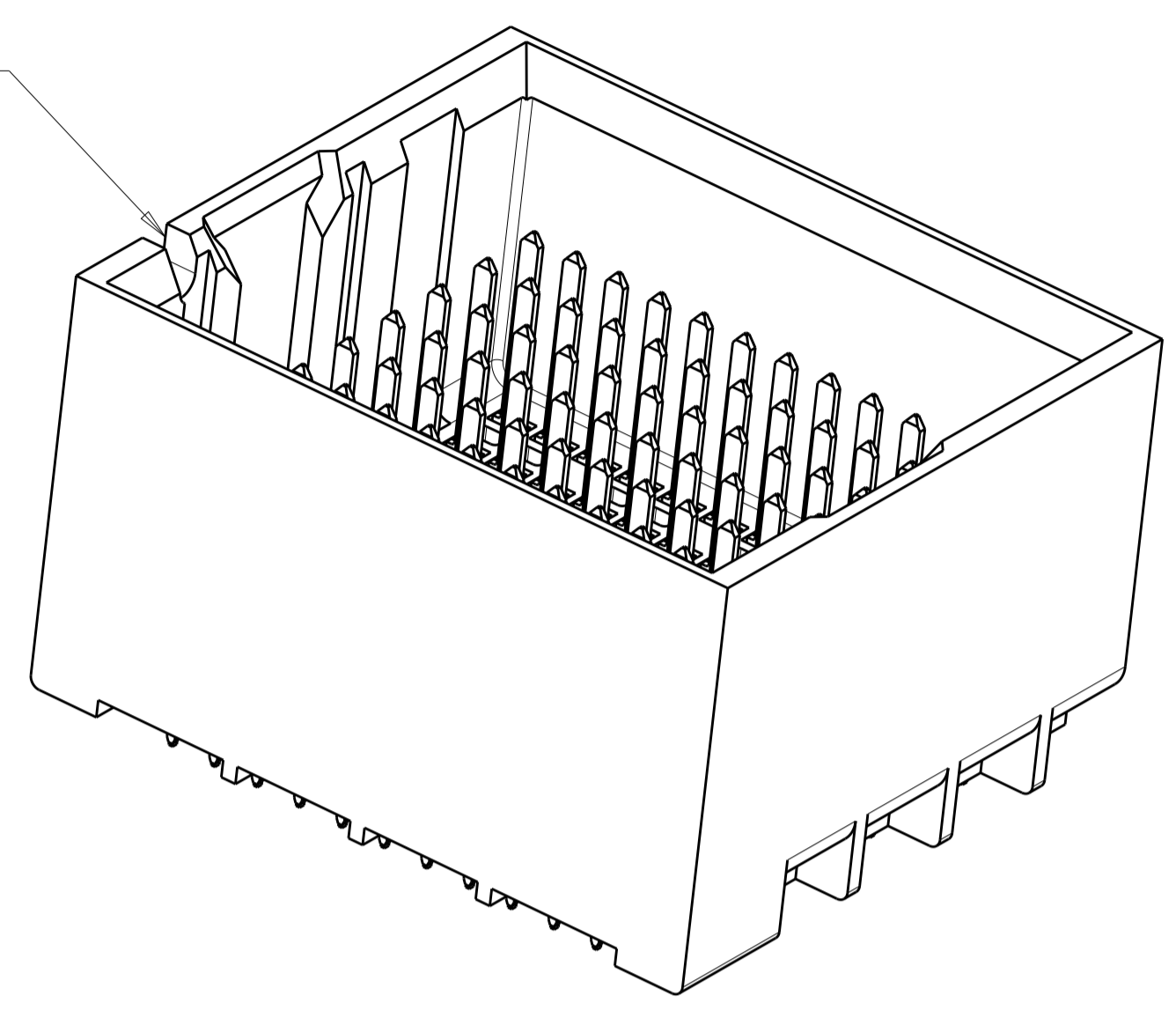


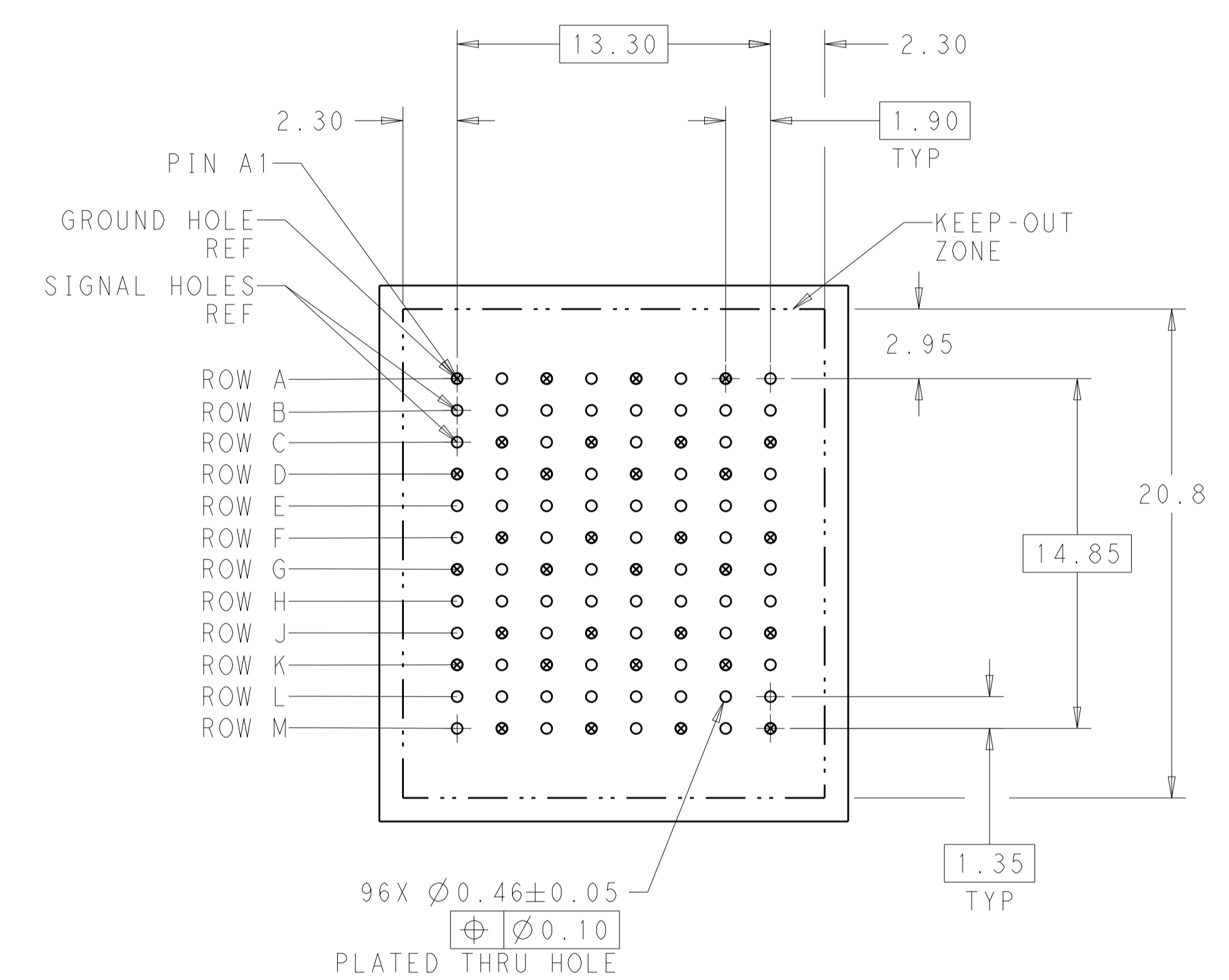
REVISIONS				
P.	LTN	DESCRIPTION	DATE	APV
A1		REVISED PER ECO-15-001494	06FEB2015	AP DD



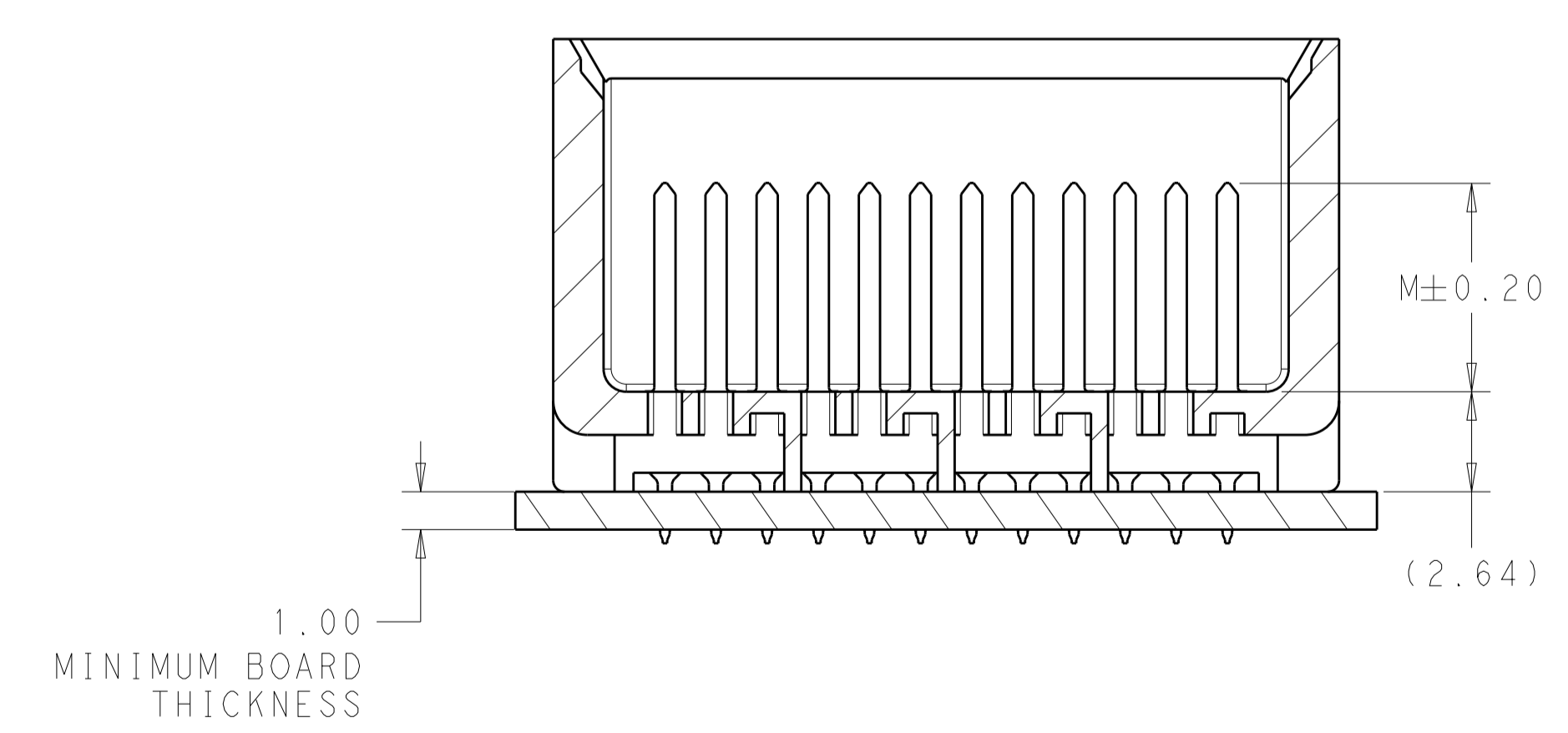
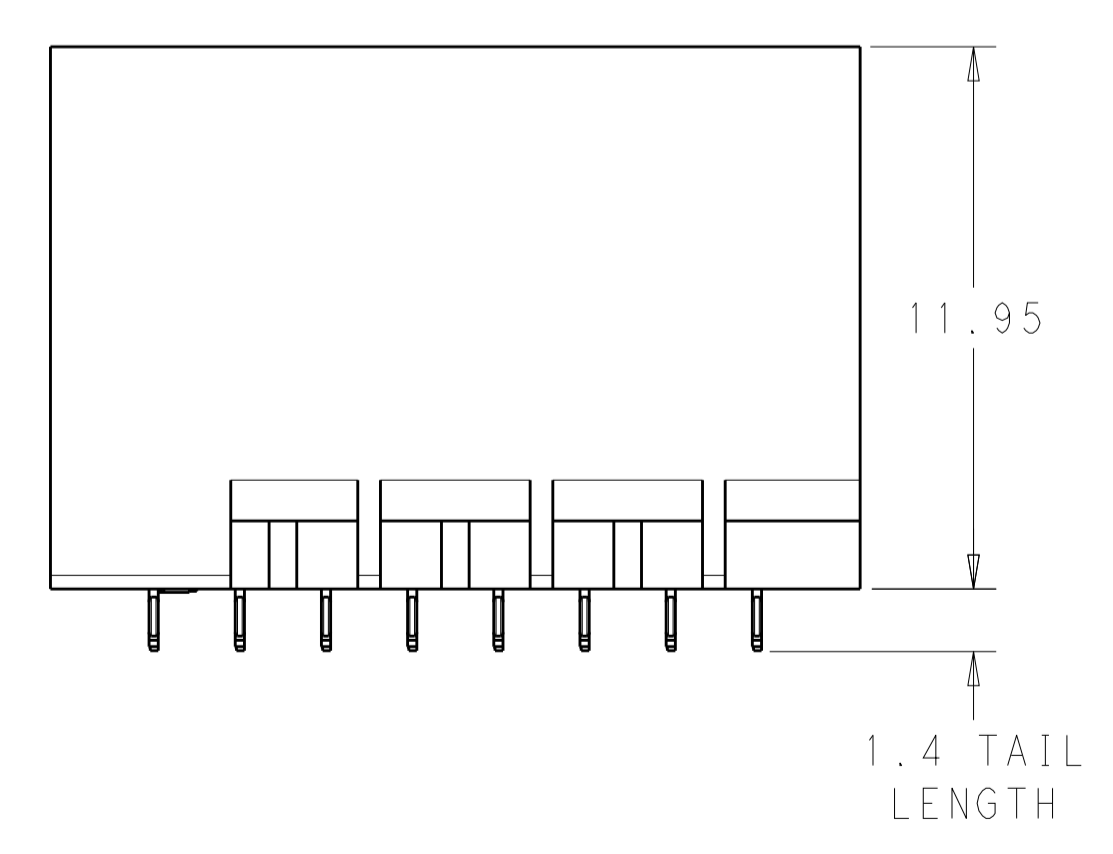
NOTCH DESIGNATES ROW A



- 1 MATERIAL:  
HOUSING: LCP, GLASS FILLED, UL94V-0.  
TERMINALS: HIGH PERFORMANCE COPPER ALLOY.
- 2 FINISH:  
30μ" MIN GOLD IN CONTACT AREA. SELECTIVE TIN ON PCB TAILS, NICKEL OVERALL.



UNGUIDED BACKPLANE HOLE PATTERN (CONNECTOR SIDE)



SECTION A-A

THIS DRAWING IS A CONTROLLED DOCUMENT.		DWN R. GRZYBOWSKI 30SEP2011 CHK J. EARY 30SEP2011 APVD J. EARY 30SEP2011	TE Connectivity
DIMENSIONS: mm	TOLERANCES UNLESS OTHERWISE SPECIFIED: 0 PLC ± 1 PLC ±0.25 2 PLC ±0.13 3 PLC ± 4 PLC ± ANGLES ±	NAME PRODUCT SPEC APPLICATION SPEC	
MATERIAL FINISH SEE TABLE	WEIGHT CUSTOMER DRAWING	SIZE CAGE CODE DRAWING NO A100779C=2057444	RESTRICTED TO SCALE 6:1 SHEET 1 OF 2 REV A1

THIS DRAWING IS UNPUBLISHED. RELEASED FOR PUBLICATION 20  
 © COPYRIGHT 20 BY - ALL RIGHTS RESERVED.

REVISIONS					
P.	LTN	DESCRIPTION	DATE	DMN	APVD
-	-	SEE SHEET 1	-	-	-

	5.5	2057444-3
	4.9	2057444-2
	4.5	2057444-1
FINISH	DIM M	PART NUMBER

REFER TO WWW.TE.COM  
FOR PRODUCT AVAILABILITY

THIS DRAWING IS A CONTROLLED DOCUMENT.		DMN R. GRZYBOWSKI CHK J. EARY APVD J. EARY	30SEP2011 30SEP2011 30SEP2011		NAME	IMPACT, 4 PAIR, 8 COLUMN, HEADER UNGUIDED, DUAL END WALL SIGNAL MODULE, 0.46 PTH
DIMENSIONS:	TOLERANCES UNLESS OTHERWISE SPECIFIED:	PRODUCT SPEC	APPLICATION SPEC		SIZE	CAGE CODE
mm	0 PLC ± 1 PLC ±0.25 2 PLC ±0.13 3 PLC ± 4 PLC ± ANGLES ±	FINISH	SEE TABLE	WEIGHT	-	A100779
MATERIAL	-	FINISH	SEE TABLE	CUSTOMER DRAWING	SCALE	5:1
					SHEET	2
					OF	2
					REV	A1