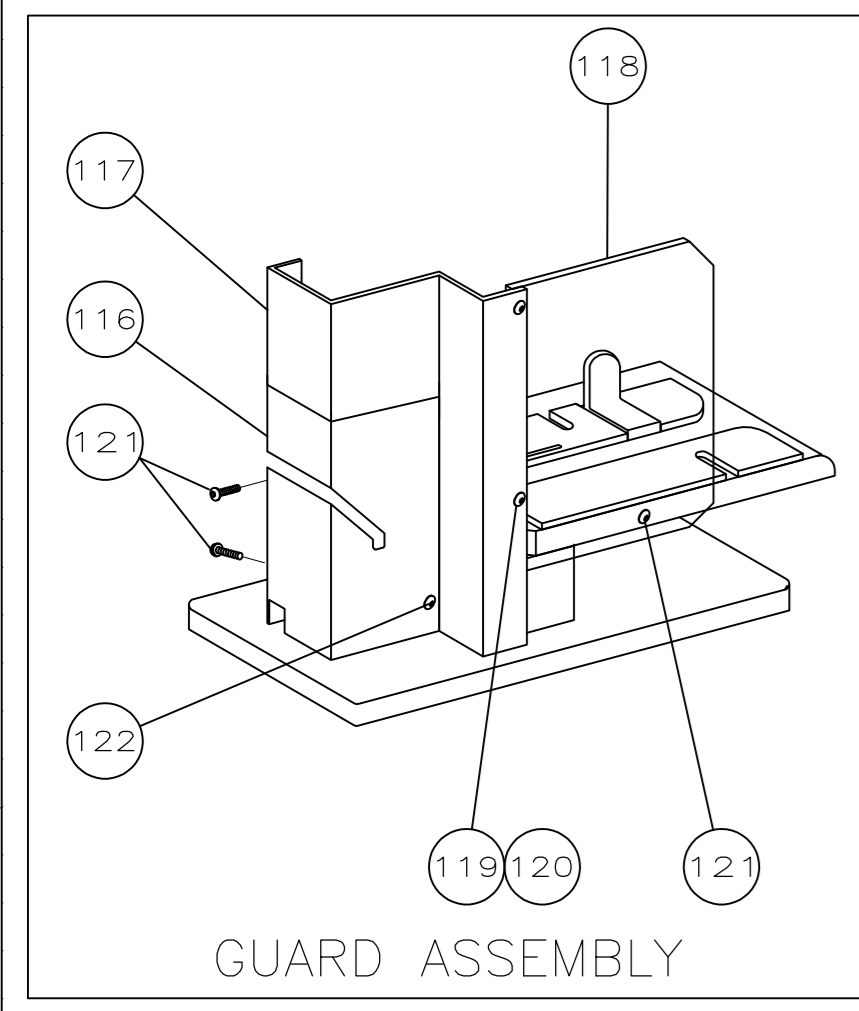
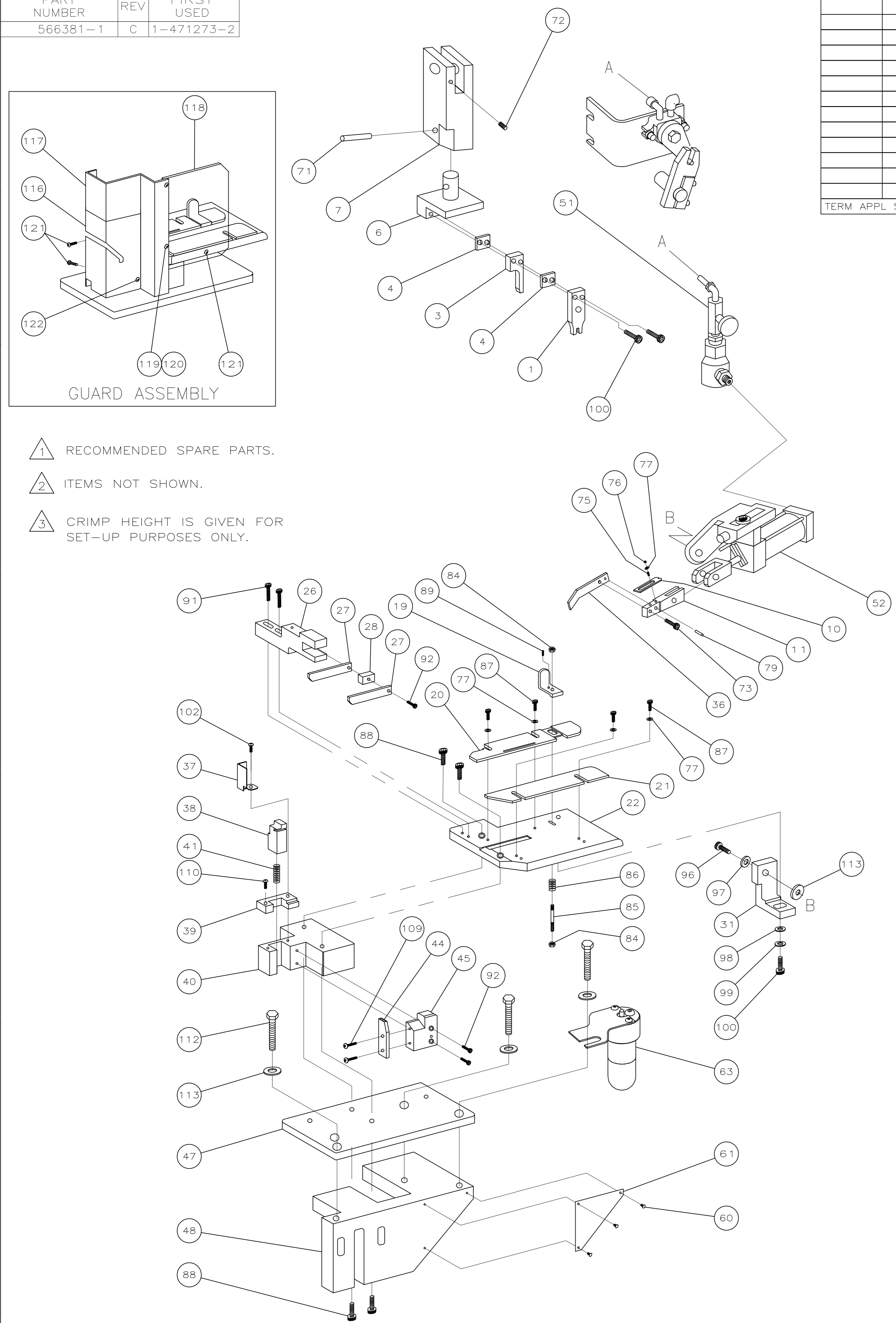


PART NUMBER	REV	FIRST USED
566381-1	C	1-471273-2



- 1 RECOMMENDED SPARE PARTS.
- 2 ITEMS NOT SHOWN.
- 3 CRIMP HEIGHT IS GIVEN FOR SET-UP PURPOSES ONLY.



TERMINAL NAME:		CRIMPING DATA			
	SPLICE	CRIMP HEIGHT	WIRE SIZE		
	60372	.073 $\Delta$	(2) 20 STR		
	-	-	-		
	-	NOT	USED		
	-	NOT	USED		
		CRIMP	SIZE	TYPE	RANGE
		WIRE	.090	F	1200-2600 CMA
		INSUL	-	-	-
		FEED	APPL INST	SET UP GAGE	LAYOUT
		.350	408-81012	-	-
		WIRE STRIP LENGTH -			
TERM APPL SPEC 114-2088					

QTY	REQD	PER	ASSY	PARTS LIST	ITEM NO	
1	-	-	-	815933-1	MOUNT, REEL BRACKET	129
1	-	-	-	461903-1	BRACKET, AIR SWITCH SHROUD	124
1	-	-	-	461904-1	SHROUD, AIR SWITCH	123
1	-	-	-	2-21002-2	BHCS, 8-32 x .50	122
5	-	-	-	2-21002-0	BHCS, 8-32 x .25	121
2	-	-	-	21018-4	NUT, 4-40	120
2	-	-	-	1-21002-3	BHCS, 4-40 x .25	119
1	-	-	-	816303-2	SIDE GUARD	118
1	-	-	-	768494-1	TOP GUARD	117
1	-	-	-	768562-1	GUARD ASSEMBLY	116
-	-	-	-	-	-	115
-	-	-	-	-	-	114
4	-	-	-	371178	BASE MOUNT WASHER	113
3	-	-	-	3-21015-1	SCR, HEX HD 3/8-16 X 1.00	112
-	-	-	-	-	-	111
1	-	-	-	1-21002-9	SCR, BHC 6-32 x .62	110
2	-	-	-	2-21002-1	SCR, BHC 8-32 X .38	109
-	-	-	-	-	-	108
-	-	-	-	-	-	107
-	-	-	-	-	-	106
-	-	-	-	-	-	105
-	-	-	-	-	-	104
-	-	-	-	-	-	103
1	-	-	-	2-21002-4	SCR, BHC 8-32 X .75	102
-	-	-	-	-	-	101
3	-	-	-	21001-6	SCR, SHC 1/4-20 X 1.00	100
1	-	-	-	21024-6	WASHER, LOCK #1/4	99
1	-	-	-	21055-8	WASHER, FLAT #1/4	98
1	-	-	-	21024-8	WASHER, LOCK #3/8	97
1	-	-	-	3-21001-6	SCR, SHC 3/8-16 X 1.25	96
-	-	-	-	-	-	95
-	-	-	-	-	-	94
-	-	-	-	-	-	93
3	-	-	-	2-21000-8	SCR, SHC 8-32 X .63	92
2	-	-	-	3-21000-0	SCR, SHC 8-32 X .88	91
-	-	-	-	-	-	90
1	-	-	-	3-21008-0	SCR, SET SELF-LOC 6-32 X .32	89
4	-	-	-	21001-3	SCR, SHC 1/4-20 X .62	88
4	-	-	-	2-21000-7	SCR, SHC 8-32 X .50	87
1	-	-	-	373469	STOCK DRAG SPRING	86
1	-	-	-	370573	DRAG STUD	85
2	-	-	-	21021-4	NUT, HEX, SELF-LOC 10-32	84
-	-	-	-	-	-	83
-	-	-	-	-	-	82
1	-	-	-	2-21000-6	SCR, SHC 8-32 X .38	81
1	-	-	-	21024-4	WASHER, LOCK #8	80
1	-	-	-	5-21028-1	FEED FINGER PIN, DOWEL	79
3	-	-	-	1-21549-2	SCR, SET 8-32 X .25	78
5	-	-	-	21055-6	WASHER, FLAT #8	77
1	-	-	-	21018-6	NUT, JAM 8-32	76
1	-	-	-	4-21006-4	SCR, SET 8-32 X .50	75
-	-	-	-	-	-	74
1	-	-	-	3-21000-5	SCR, SHC, 10-32 X .50	73
1	-	-	-	2-21549-3	SCR, SET SELF-LOC 1/4-20 X .50	72
1	-	-	-	6-21029-9	PIN, SLOTTED SPR .312 X 1.50	71
-1	U/M			PART NO	DESCRIPTION	ITEM NO
QTY REQD PER ASSY						PARTS LIST

LOC	DIST	REVISIONS			
A	66	REV	DATE	BY	APPV
		C1	7-2007	MY	GB

QTY	REQD	PER	ASSY	PARTS LIST	ITEM NO	
-	-	-	-	-	70	
-	-	-	-	-	69	
-	-	-	-	-	68	
-	-	-	-	-	67	
-	-	-	-	-	66	
-	-	-	-	-	65	
-	-	-	-	-	64	
1	-	-	-	465184-8	LUBRICATOR ASSY	63
-	-	-	-	-	-	62
1	-	-	-	452373-1	PLATE I.D.	61
3	-	-	-	21017-6	SCR, RH DRIVE	60
-	-	-	-	-	-	59
-	-	-	-	-	-	58
-	-	-	-	-	-	57
-	-	-	-	-	-	56
-	-	-	-	-	-	55
-	-	-	-	-	-	54
-	-	-	-	-	-	53
1	-	-	-	692653-1	AIR FEED CYLINDER SUB-ASSY	52
1	-	-	-	692655-5	AIR FEED VALVE SUB-ASSY	51
-	-	-	-	-	-	50
-	-	-	-	-	-	49
1	-	-	-	570238	BASE MOUNT	48
1	-	-	-	465317-1	BASE PLATE	47
-	-	-	-	-	-	46
1	-	-	-	314893-2	ANVIL HOLDER	45
1	-	-	-	2-689722-5	ANVIL	44
-	-	-	-	-	-	43
-	-	-	-	-	-	42
1	-	-	-	387083	SHEAR SPRING	41
1	-	-	-	314835-1	BASE BLOCK	40
1	-	-	-	314892-1	SHEAR, PLATE	39
1	-	-	-	314891-1	SHEAR, FLOATING	38
1	-	-	-	314897-1	SHEAR, DEFLECTOR	37
1	-	-	-	385138	TIP, FEED FINGER	36
-	-	-	-	-	-	35
-	-	-	-	-	-	34
-	-	-	-	-	-	33
-	-	-	-	-	-	32
1	-	-	-	815872-1	BRACKET, FEED MOUNTING	31
-	-	-	-	-	-	30
-	-	-	-	-	-	29
1	-	-	-	692968-2	SPACER, STRIPPER	28
2	-	-	-	314898-1	STRIPPER	27
1	-	-	-	692875-4	MOUNT, STRIPPER	26
-	-	-	-	-	-	25
-	-	-	-	-	-	24
-	-	-	-	-	-	23
1	-	-	-	815932-1	STRIP GUIDE PLATE	22
1	-	-	-	768959-1	FRONT STRIP GUIDE	21
1	-	-	-	768490-1	REAR STRIP GUIDE	20
1	-	-	-	387650-4	DRAG, STOCK	19
-	-	-	-	-	-	18
-	-	-	-	-	-	17
-	-	-	-	-	-	16
-	-	-	-	-	-	15
-	-	-	-	-	-	14
-	-	-	-	-	-	13
-	-	-	-	-	-	12
1	-	-	-	375635	HOLDER, FEED FINGER	11
1	-	-	-	374999	TENSION ADJUSTING PLATE	10
-	-	-	-	-	-	9
-	-	-	-	-	-	8
1	-	-	-	471167	RAM	7
1	-	-	-	314894-1	TOOL HOLDER	6
-	-	-	-	-	-	5
2	-	-	-	314896-1	SPACER	4
1	-	-	-	314895-2	SHEAR DEPRESSOR	3
-	-	-	-	-	-	2
1	-	-	-	2-456406-0	WIRE CRIMPER .090 F	1
-1	U/M			PART NO	DESCRIPTION	ITEM NO
QTY REQD PER ASSY						PARTS LIST