



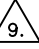
NOTES: UNLESS OTHERWISE SPECIFIED

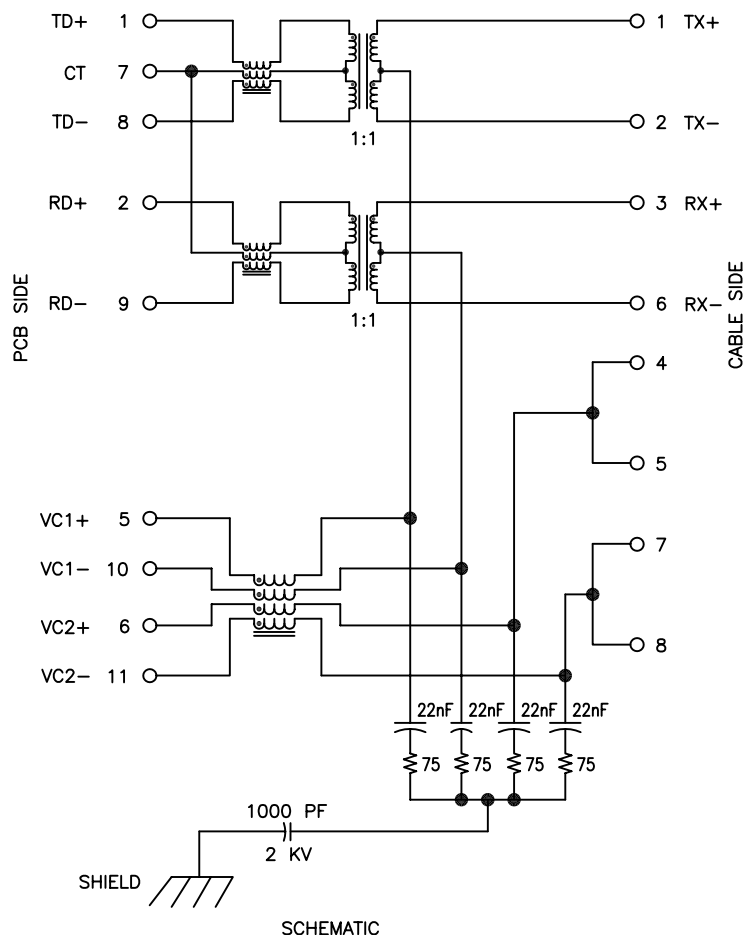
- THIS COMPONENT CONFORMS TO UL60950. UL FILE NO. IS: E216117.

	WARNING: THIS COMPONENT IS RECOGNIZED BY ONE OR MORE SAFETY AGENCIES SUCH AS UL, VDE, CSA AND/OR TUV. ALL ENGINEERING CHANGES MUST HAVE PRIOR APPROVAL BY THE DESIGN CENTER QUALITY DEPARTMENT FOR SAFETY AGENCY COMPLIANCE.	EDN APPROVAL: QA APPROVAL: DATE:

-

	NOTICE: THIS IS A RoHS COMPLIANT COMPONENT/PRODUCT. ALL ENGINEERING CHANGES MUST HAVE PRIOR APPROVAL BY THE DESIGN CENTER.

- PLASTIC HOUSING: THERMOPLASTIC MATERIAL WITH FLAMMABILITY RATING UL 94V-0 OR BETTER.
- CONTACT BASE MATERIAL: PHOSPHOR BRONZE.
- CONTACTS UNDERPLATE: 30-50 MICROINCHES DUCTILE NICKEL.
- CONTACTS PLATING: 30 MICROINCHES GOLD PLATING.
- SOLDER TAIL PLATING MATERIAL: 200-500 MICROINCHES 100% TIN, MATTE FINISH.
- METAL SHIELD: NICKEL PLATING ON COPPER ALLOY.
-  JACK CAVITY CONFORMS TO FCC RULES AND REGULATIONS PART 68 SUBPART F.
- PCB PLATING: EG.
- SOLDERABILITY: CONFORMS TO ANSI/J-STD-002, IPC/EIA J-STD-003A.
- OPERATING TEMPERATURE: 0°C TO +70°C
- STORAGE TEMPERATURE: -20°C TO +125°C
- JEDEC MOISTURE: LEVEL 1.
- DIMENSIONS ARE IN INCHES [MILLIMETERS] WITH THE FOLLOWING TOLERANCES: [MILLIMETERS] ARE FOR REFERENCE ONLY.
 .XX= ±.02 [±0.5]
 .XXX= ±.010 [±0.25]



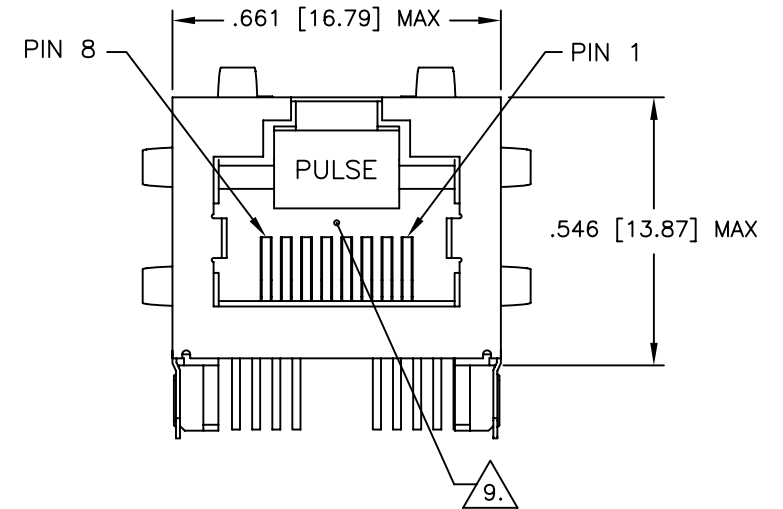
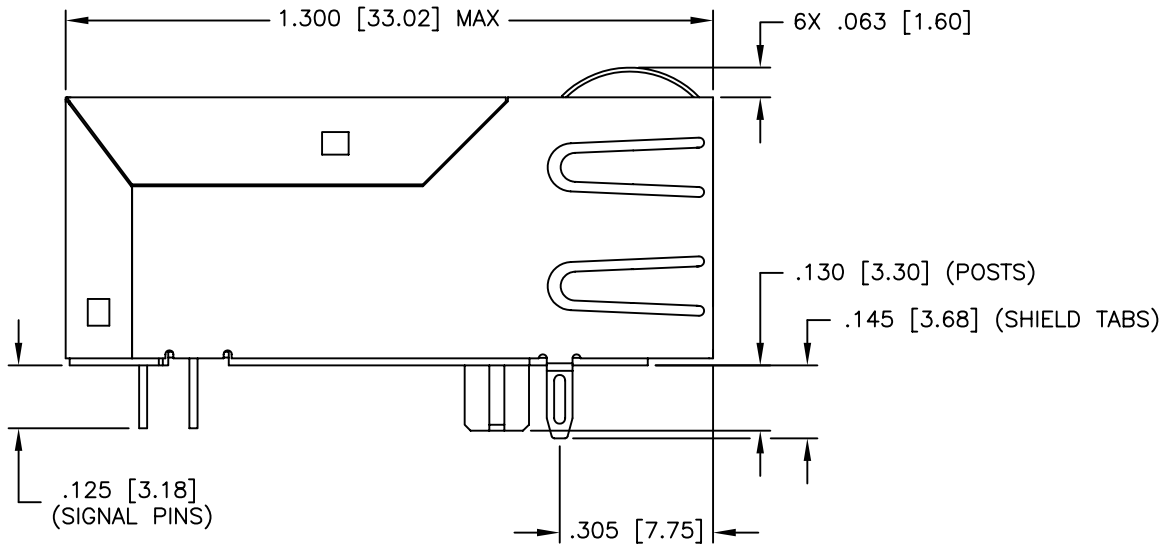
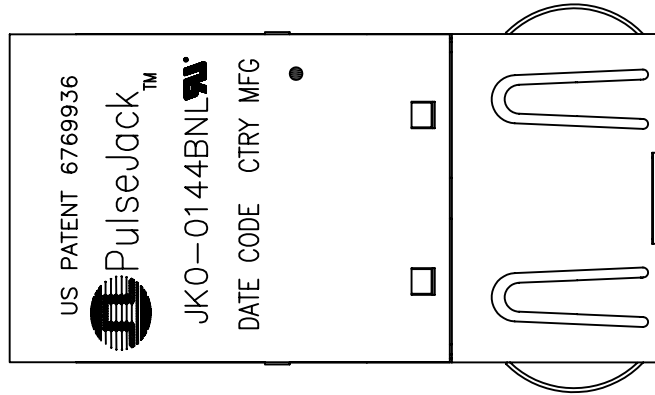
ELECTRICAL CHARACTERISTICS AT +25°C UNLESS OTHERWISE SPECIFIED (FOR REFERENCE ONLY. USED FOR CUSTOMER INFORMATION.)

PARAMETER	SPECIFICATION		
OPERATING TEMP	0°C-70°C		
TURNS RATIO	1 : 1 ±2%		
POLARITY	PER SCHEMATIC		
INSERTION LOSS	100 KHz	1-125 MHz	
	-1.2 dB MAX	-0.2-0.002*f ^{1.4} dB MAX	
RETURN LOSS (Z _{out} = 100 OHM ±15%)	.1-30 MHz	30-60 MHz	60-80 MHz
	-16 dB MIN	-10+20*LOG ₁₀ (f/60 MHz) dB MIN	-10 dB MIN
	INDUCTANCE (OCL) (MEDIA SIDE, 0°C-70°C) 350 uH MIN (MEASURED AT 100 KHz, 100 mVRMS) (AND WITH 8 mA DC BIAS)		
CROSSTALK, ADJACENT CHANNELS	1 MHz	10-100 MHz	
	-50 dB MIN	-55+22*LOG ₁₀ (f/10) dB MIN	
COMMON MODE REJECTION RATIO	2 MHz	30-200 MHz	
	-50 dB MIN	-15+20*LOG ₁₀ (f/200) dB MIN	
DC RESISTANCE, 1/2 WINDING	.65 OHMS MAX		
DC RESISTANCE IMBALANCE	±.065 OHMS MAX (CENTER TAP SYMMETRY)		
DC CURRENT/VOLTAGE RATING - PSE PINS	350 mA, @ 57 V (CONTINUOUS)		
INPUT - OUTPUT ISOLATION	2250 VDC MIN @ 60 SECONDS		

NOTE: f IS FREQUENCY IN MHz.

© Copyright, 2010. Pulse Electronics Corp. All rights reserved. Drawing specifications subject to change without notice. (12/07/10)

PULSE CONFIDENTIAL & PROPRIETARY	PRODUCT DESCRIPTION	PS DRAWING	SHEET:	DWG. NO./ PART NO.	REV.
	CONN,RJ45,1X1,100P,1:1,TY	PS-2390.012-A	1	JK0-0144BNL	M10



© Copyright, 2010. Pulse Electronics Corp. All rights reserved. Drawing specifications subject to change without notice. (12/07/10)

PULSE CONFIDENTIAL
&
PROPRIETARY

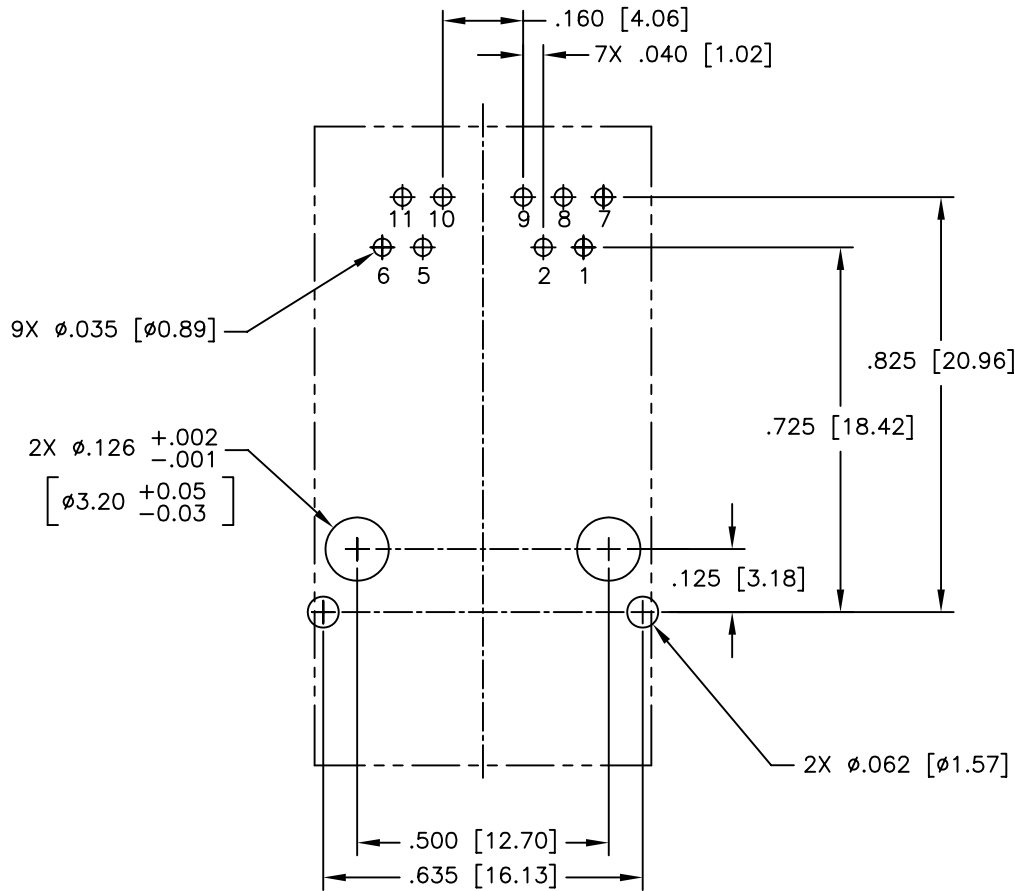
PRODUCT DESCRIPTION
CONN,RJ45,1X1,100P,1:1,TY

PS DRAWING
PS-2390.012-A

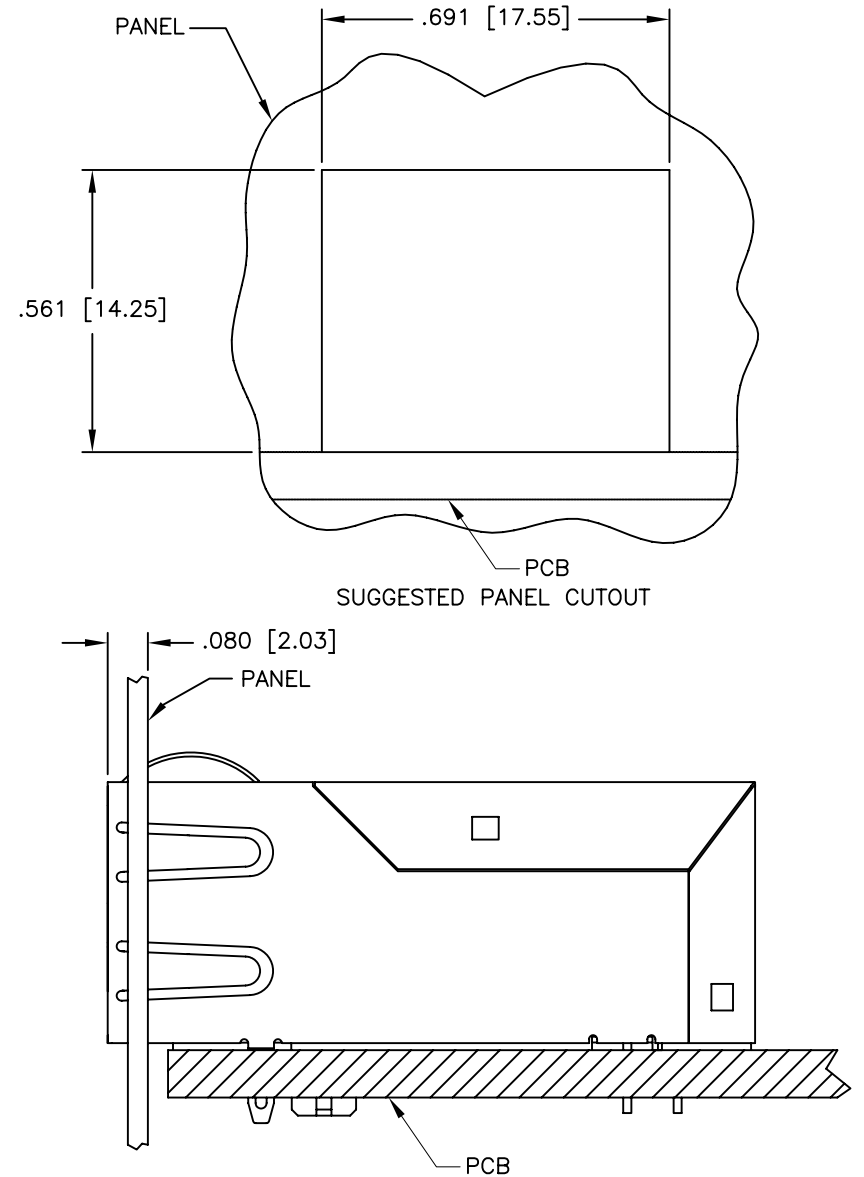
SHEET:
2

DWG. NO./ PART NO.
JK0-0144BNL

REV.
M10



FRONT OF CONNECTOR
 SUGGESTED PCB LAYOUT
 (COMPONENT SIDE SHOWN)
 DIMENSIONAL TOLERANCE:
 .XXX ± 0.003 [X.XX ± 0.08]



© Copyright, 2010. Pulse Electronics Corp. All rights reserved. Drawing specifications subject to change without notice. (12/07/10)

PULSE CONFIDENTIAL & PROPRIETARY	PRODUCT DESCRIPTION	PS DRAWING	SHEET:	DWG. NO./ PART NO.	REV.
		CONN,RJ45,1X1,100P,1:1,TY	PS-2390.012-A	3	JK0-0144BNL