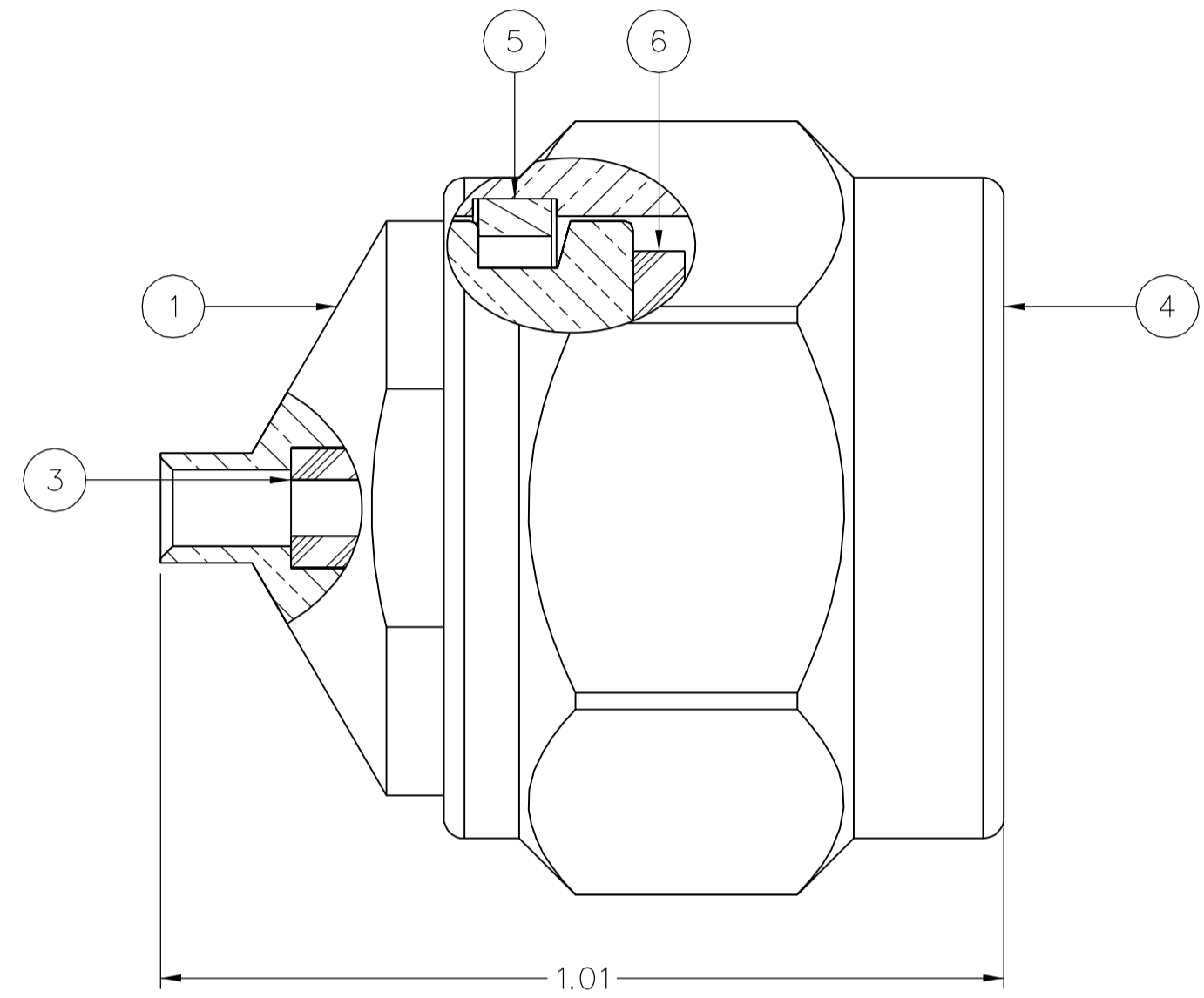
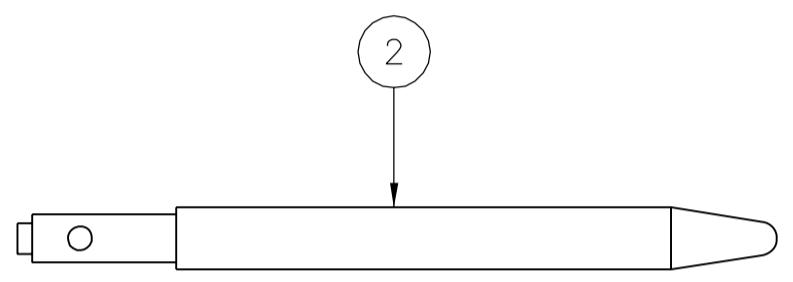
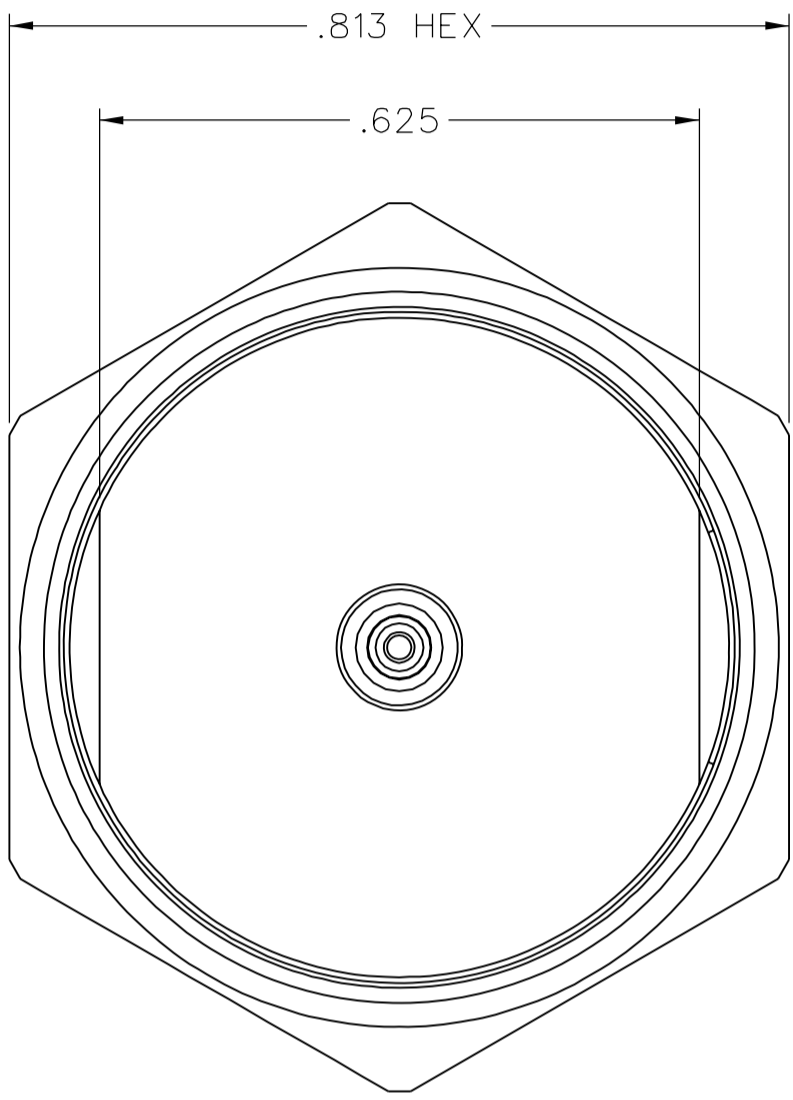
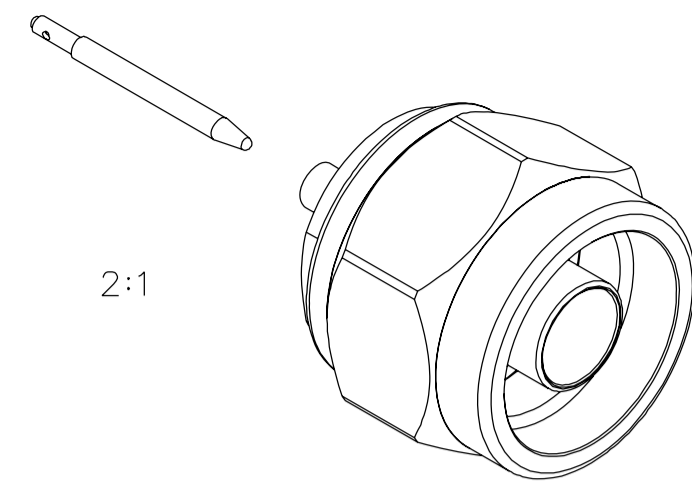


| PART NUMBER | ITEM ① BODY | ITEM ② CONTACT | ITEM ③ INSULATOR | ITEM ④ COUPLING NUT | ITEM ⑤ RETENTION SPRING | ITEM ⑥ SEAL GASKET |
|--------------|--|---|---------------------|---------------------------------|------------------------------|-----------------------|
| 138-4693-001 | BRASS GOLD PL .00001 MIN OVER NICKEL PL .0005 MIN OVER COPPER PL .00005 MIN | BRASS GOLD PL .00005 MIN OVER NICKEL PL .00005 MIN OVER COPPER PL .00005 MIN | TEFLON | BRASS TRI-ALLOY PL .0001 MIN | BERYLLIUM COPPER UNPLATED | SILICONE RUBBER |
| 138-4693-007 | BRASS TRI-ALLOY PL .0001 MIN | BRASS GOLD PL .00005 MIN OVER NICKEL PL .00005 MIN OVER COPPER PL .00005 MIN | TEFLON | BRASS TRI-ALLOY PL .0001 MIN | BERYLLIUM COPPER UNPLATED | SILICONE RUBBER |

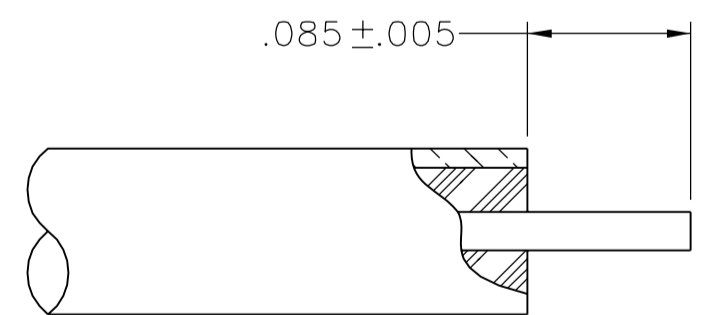


NOTES:

1. SPECIFICATIONS:
- IMPEDANCE: 50 OHMS
 - FREQUENCY RANGE: 0-18 GHz
 - VSWR: 1.07+.01F (GHz) MAX AT 0-11 GHz, TYPICALLY < 1.25 AT 11-18 GHz
 - WORKING VOLTAGE: 335 VRMS MAX AT SEA LEVEL
 - DIELECTRIC WITHSTANDING VOLTAGE: 1000 VRMS MIN AT SEA LEVEL
 - INSULATION RESISTANCE: 5000 MEGOHM MIN
 - CONTACT RESISTANCE:
 - CENTER CONTACT - INITIAL 1.0 MILLIOHM MAX, AFTER ENVIRONMENTAL 1.5 MILLIOHM MAX
 - OUTER CONDUCTOR - INITIAL 0.2 MILLIOHM MAX, AFTER ENVIRONMENTAL NOT APPLICABLE
 - CORONA LEVEL: 250 VOLTS MIN AT 70,000 FEET
 - INSERTION LOSS: .05√F (GHz), TESTED AT 9 GHz
 - RF LEAKAGE: -90 dB MIN AT 2 TO 3 GHz
 - RF HIGH POTENTIAL WITHSTANDING VOLTAGE: 670 VRMS AT 4 AND 7 MHz
 - THIRD ORDER INTERMODULATION PRODUCT (IMP3): TYPICALLY < -90 dBm (TESTED PER IEC GUIDELINES WITH 20W CW INPUTS AT 1930-1990 MHz)

- MECHANICAL:
- ENGAGE/DISENGAGE TORQUE: 6 IN-LBS MAX
 - MATING TORQUE: 7-10 IN-LBS
 - COUPLING PROOF TORQUE: 15 IN-LBS MIN
 - COUPLING NUT RETENTION: 100 LBS MIN
 - CONTACT RETENTION: NOT APPLICABLE
 - CABLE ACCEPTABILITY: RG405, .086 OD SEMIRIGID
 - CABLE HEX CRIMP SIZE: NOT APPLICABLE
 - CABLE RETENTION: 30 LBS MIN AXIAL FORCE
 - DURABILITY: 500 CYCLES MIN

- ENVIRONMENTAL:
- (MEETS OR EXCEEDS THE APPLICABLE PARAGRAPH OF MIL-PRF-39012)
 - THERMAL SHOCK: MIL-STD-202, METHOD 107, CONDITION B, EXCEPT 85°C HIGH TEMP
 - OPERATING TEMPERATURE: -65°C TO 165°C
 - CORROSION: MIL-STD-202, METHOD 101, CONDITION B
 - SHOCK: MIL-STD-202, METHOD 213, CONDITION I
 - VIBRATION: MIL-STD-202, METHOD 204, CONDITION B
 - MOISTURE RESISTANCE: MIL-STD-202, METHOD 106



CABLE STRIP DIMENSIONS
10:1

DRAWING NO.
C - 138-4693-001/010

| REVISIONS | | | | |
|--|----------|-------------|-------------|----------------------|
| 0 | | | | |
| ENGINEERING RELEASE | | | | |
| 1 | 10-11-05 | P A T | J R K | P M J U |
| | | | | 4-7-06 ECN 49930 |
| DELETE: BODY TO CABLE - 0.05 MILLIOHM MAX. | | | | |
| ***** | | | | |
| * REVISION NUMBER FOLLOWED BY AN ALPHA * | | | | |
| * CHARACTER INDICATES DRAWING CLARIFI- | | | | |
| * CATION OR PART NUMBER ADDITION ONLY. * | | | | |
| ***** | | | | |
| 1a | 9-15-06 | P A T | J R K | P M J U |
| | | | | 9-21-06 ECN 50623 |

CUSTOMER DRAWING

THIS DRAWING TO BE INTERPRETED
PER ASME Y 14.5M - 1994

"μSTATION"

COMPANY CONFIDENTIAL

| TOLERANCE UNLESS OTHERWISE SPECIFIED | | DRAWN BY | DATE |
|--------------------------------------|-------|--------------|-----------|
| DECIMALS | mm | JRK | 10-10-05 |
| .XX REF | _____ | CHECKED BY | DATE |
| .XXX REF | _____ | PDW | 4-6-06 |
| MATL | _____ | APPROVED BY | DATE |
| | | JRK | 4-6-06 |
| FINISH | _____ | RELEASE DATE | 4-7-06 |
| | | U/M INCH | SCALE 5:1 |

Cinch Connectivity Solutions
P.O. Box 1732
Waseca, MN 56093
1-800-247-8256

TITLE
STRAIGHT SOLDER PLUG,
TYPE N CONNECTOR,
RG405 (.086) SEMI-RIGID

SHEET 2 OF 2
DRAWING NO.
C - 138-4693-001/010