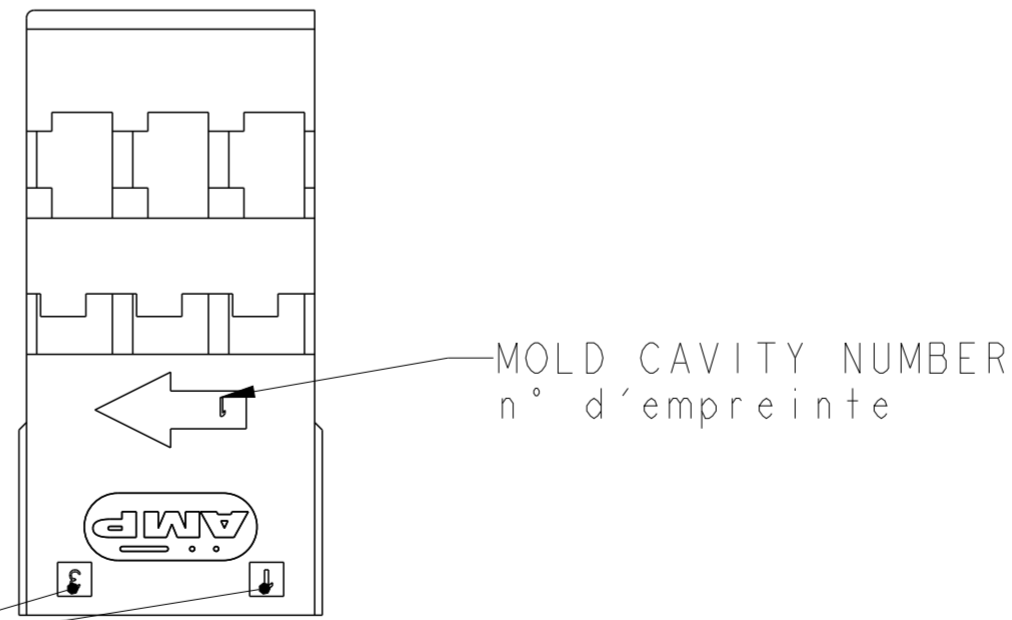
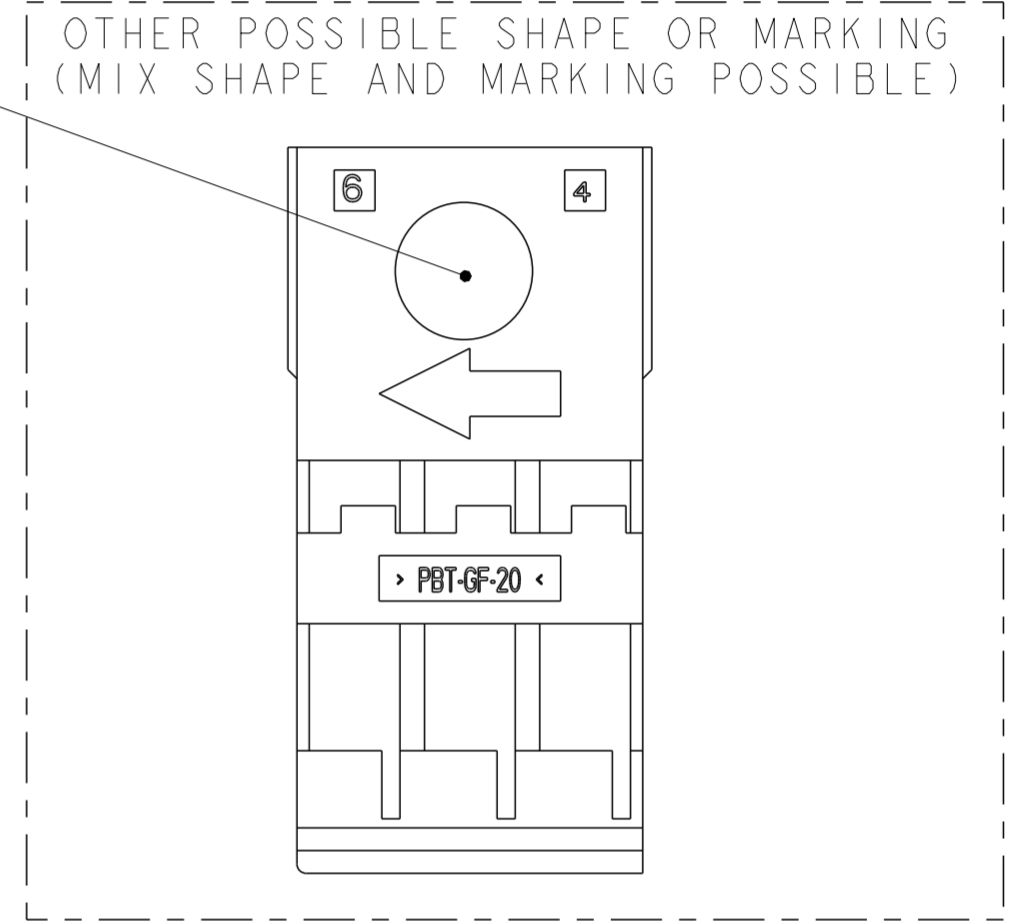
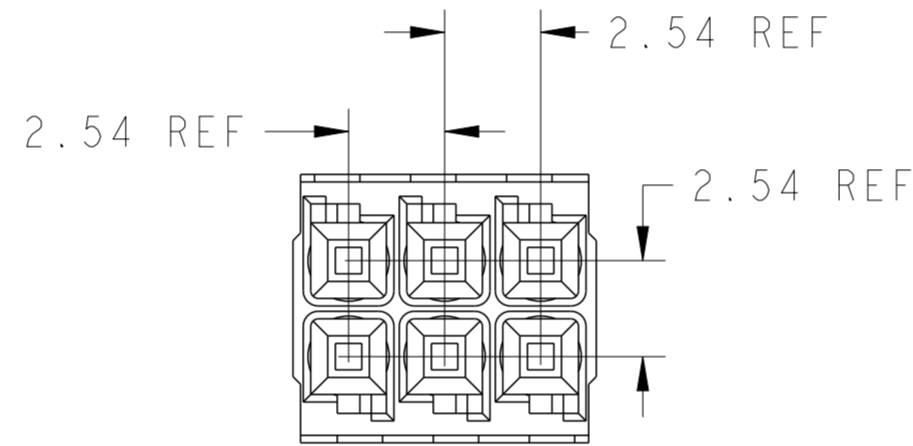
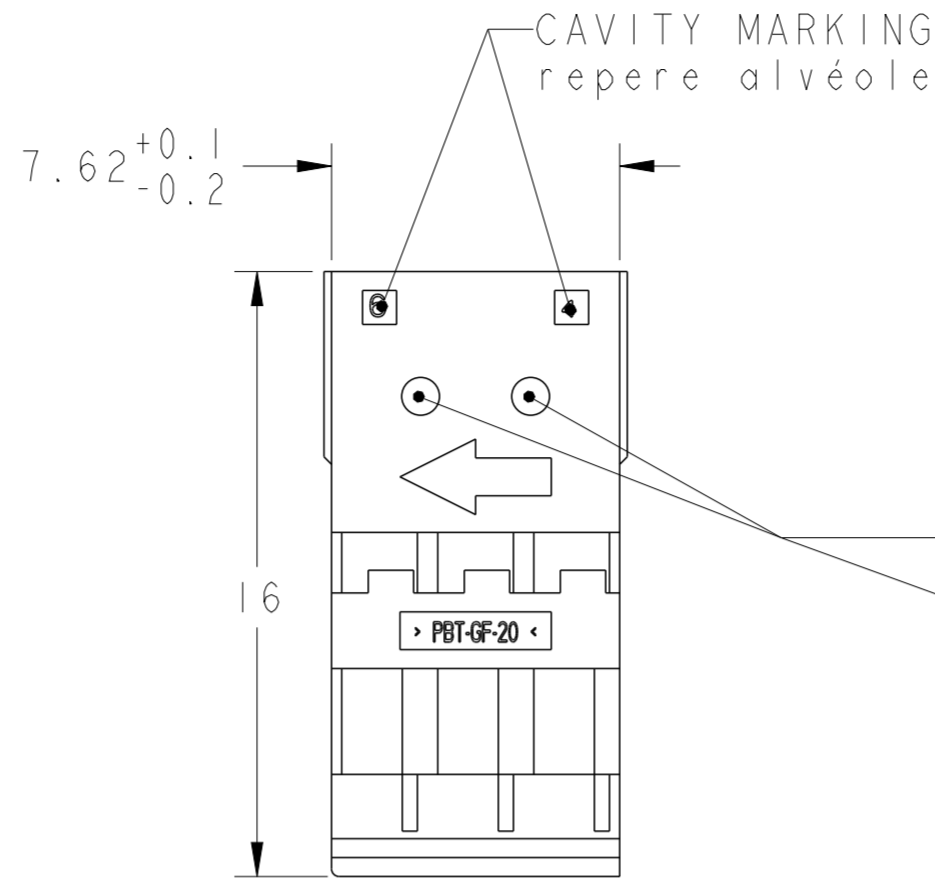
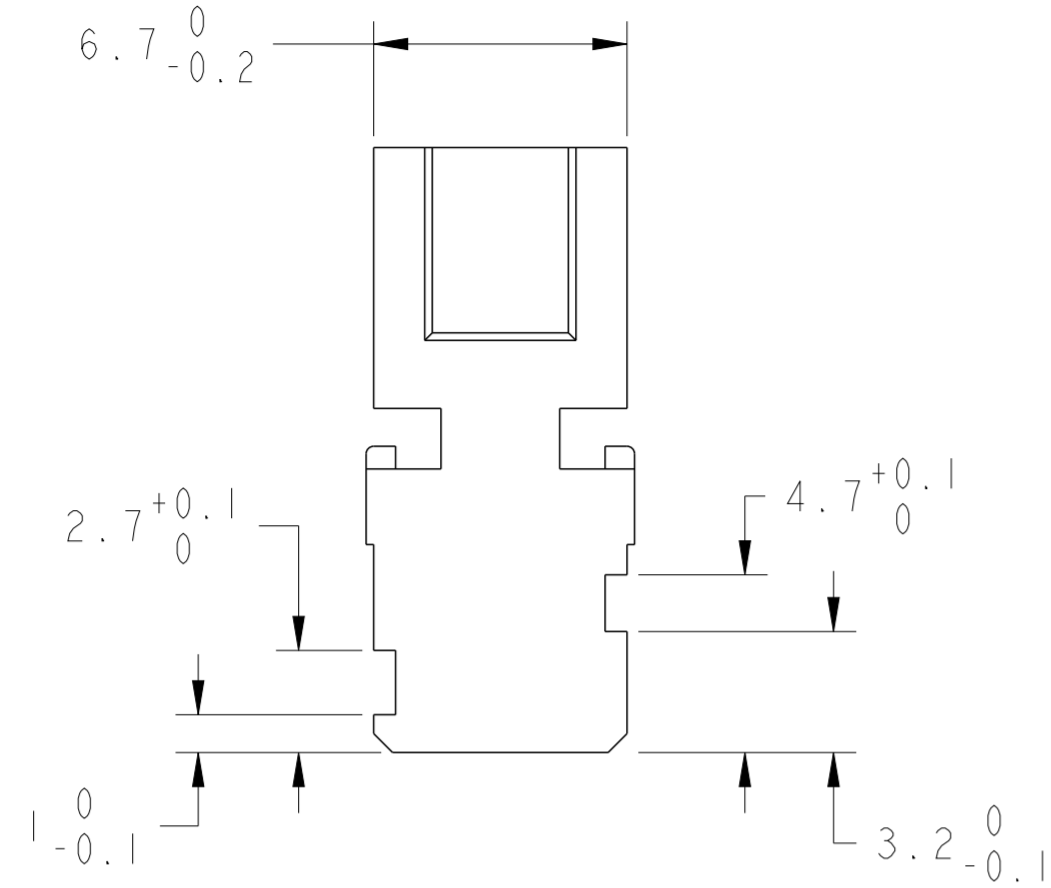


THIS DRAWING IS UNPUBLISHED.
 DIFFUSION RESTREINTE
 © COPYRIGHT 2008 BY -
 RELEASED FOR PUBLICATION
 LIBRE A LA DIFFUSION
 2008
 ALL RIGHTS RESERVED.
 TOUS DROITS RESERVES

LOC	DIST	REVISIONS			
P	LTR	DESCRIPTION MODIFICATIONS	DATE	DWN DESS.	APVD APP.
F	00				
	AI	REVISED PER ECO-11-005150	28MAR2011	RK	HMR
	B	OTHER POSSIBLE SHAPE AND MARKING ADDED	02MAY2013	EC	XR



PBT GF 20% PBF 20% FV	BLACK noir	185311-1
MATERIAL matiere	COLOR couleur	PART NO

THIS DRAWING IS A CONTROLLED DOCUMENT.		DWN/DESSINE 09APR2008 M. POLIFONIE	TE Connectivity	
DIMENSIONS: mm		CHK/VERIFIE 09APR2008 E. CHATELUS		
TOLERANCES UNLESS OTHERWISE SPECIFIED: TOLERANCES NON SPECIFIEES (SUIVY NR DE DECIMALES)		APVD/APROUVE 09APR2008 X. ROUILLARD	NAME / TITRE SOCKET HOUSING 6W FOR MQS MODULE 6 VOIES MQS	
		PRODUCT SPEC 108-15142	RESTRICTED TO RESERVE A	
MATERIAL/MATIERE see table		FINISH/FINITION	SIZE FORMAT A2	CAGE CODE 00779
WEIGHT MASSE APPROX. 0.6g		APPLICATION SPEC 411-15567	DRAWING NO C-185311	REV B
CUSTOMER DRAWING /PLAN CLIENT		UNIQUEMENT POUR REFERENCE	SCALE ECHELLE 6:1	SHEET FEUILLE 1 OF DE 1