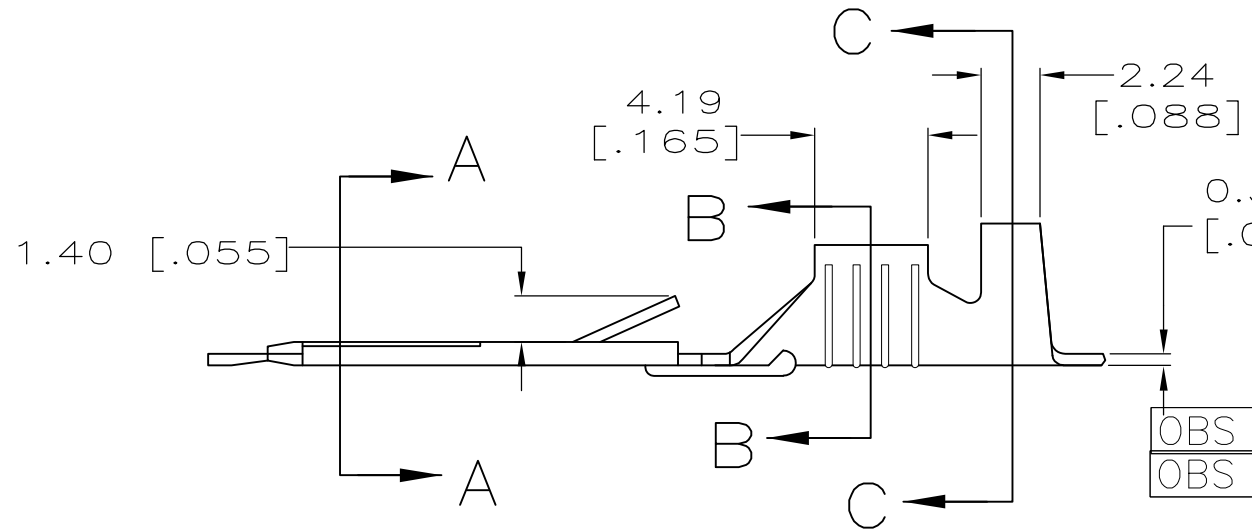
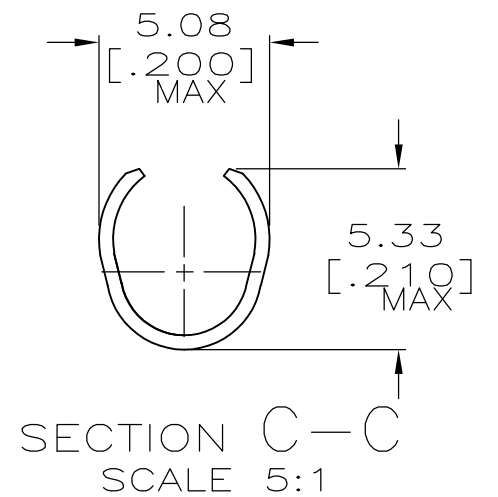
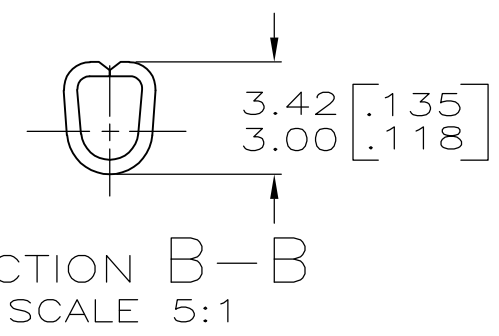
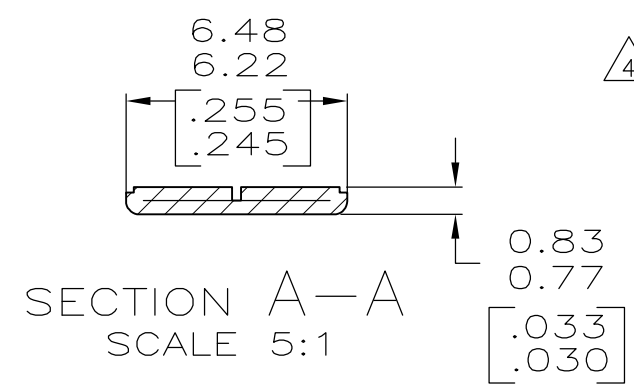
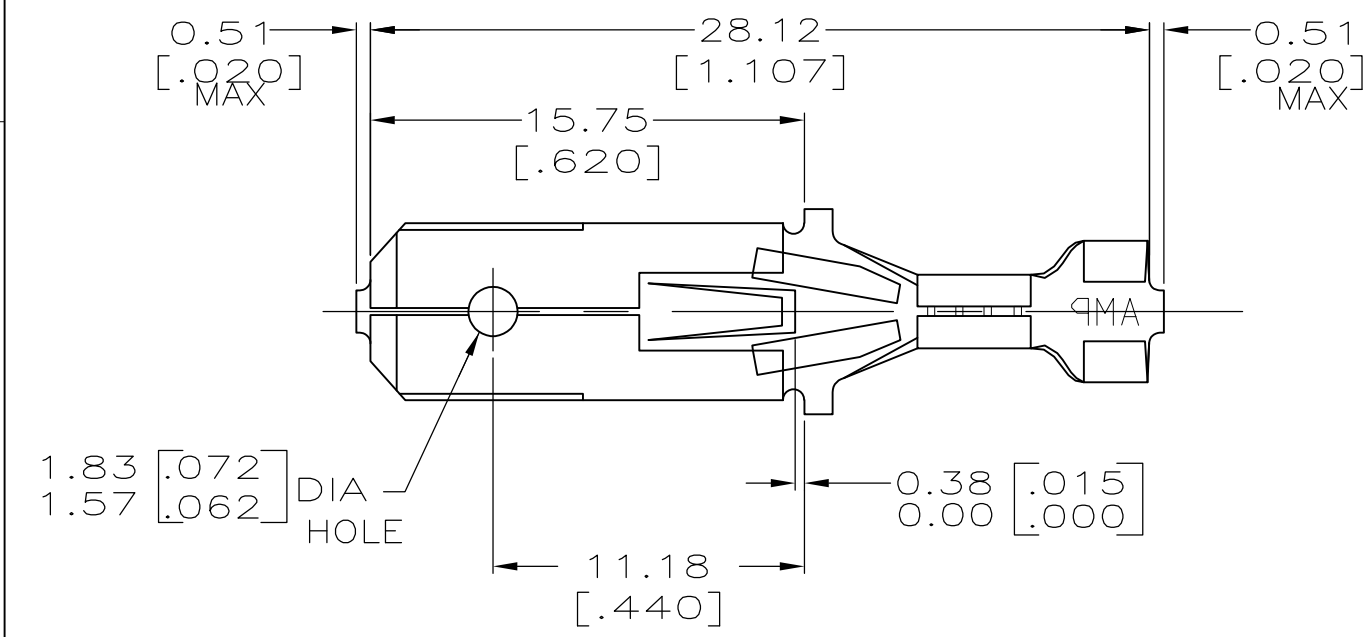


LOC	DIST	REVISIONS				
P	LTR	DESCRIPTION	DATE	DWN	APVD	
AF	50					
		E	REVISED PER ECR-11-018063	21DEC11	KH PD	

- 1 SUPPLIED IN LOOSE PIECE
- △3 SILVER 0.003048 [.000120] MIN.
- △4 FORIEGN PRODUCTION ONLY.



OBS  
OBS  
SUPERSEDED BY 42565-2

INSULATION RANGE	WIRE SIZE	FINISH	MATERIAL	PART NO.
3.05-3.68 [.120-.145] DIA	#18-#16 AWG	TIN	082 PHOS BRZ	42565-4
		SILVER △3		△4 42565-3
		TIN	082 BRASS	42565-2
				42565-1

THIS DRAWING IS A CONTROLLED DOCUMENT.

DIMENSIONS: mm [INCHES]	TOLERANCES UNLESS OTHERWISE SPECIFIED: 0 PLC ± - 1 PLC ± - 2 PLC ± 0.38 [.015] 3 PLC ± - 4 PLC ± - ANGLES ± -	DWN JR RUTH 2/6/95 CHK MS FEHER 2/6/95 APVD J GILLESPIE 2/6/95	TE Connectivity NAME TAB, FASTIN-FASTON, 6.35 [.250] SERIES	
MATERIAL SEE TABLE	FINISH SEE TABLE	PRODUCT SPEC -	SIZE A3	CAGE CODE 00779
		APPLICATION SPEC -	DRAWING NO C-42565	RESTRICTED TO -
		WEIGHT -	CUSTOMER DRAWING	
		SCALE 4:1	SHEET 1 of 1	REV E