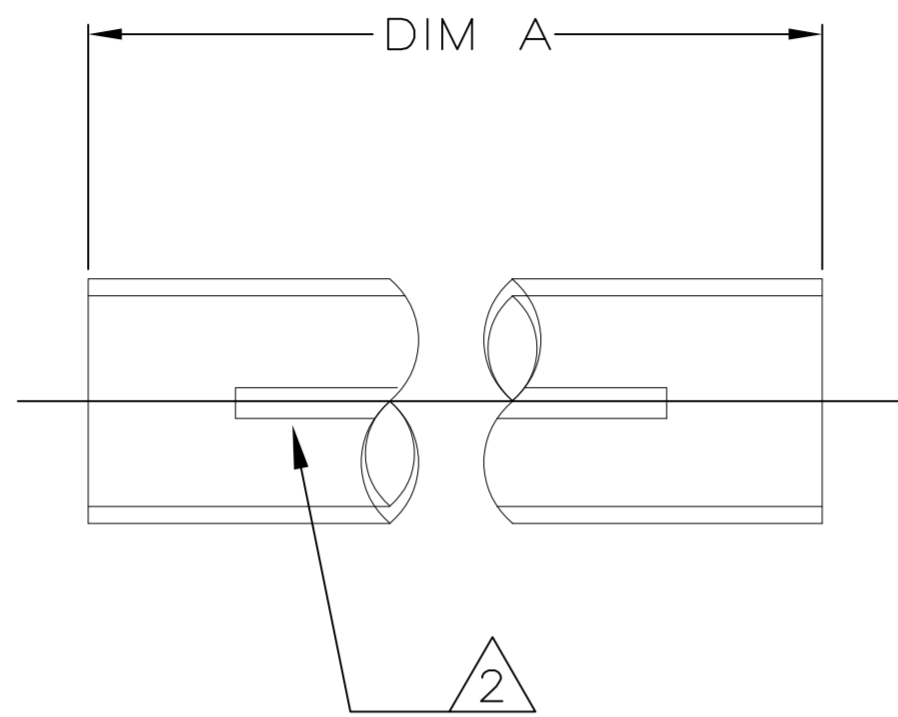
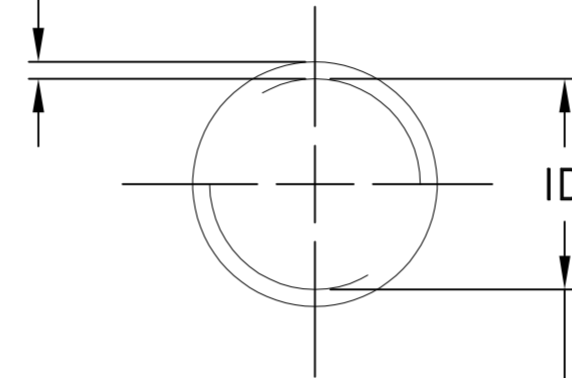


REVISIONS			
REV	DESCRIPTION	DATE	APPROVED
B	REVISED PER DCR R040121	17-DEC-03	JKUSTER
B1	REVISED PER ECO-10-002850	09FEB10	HMR



.140 [3.56] NOMINAL WALL THICKNESS FULLY RECOVERED



1.50 [38.10] MINIMUM EXPANDED
.500 [12.70] MAXIMUM RECOVERED

NOTES:

- 1 MATERIAL: BLACK POLYOLEFIN TUBING HEAVY WALL, FLAME RETARDANT, WITHOUT SEALANT.
- 2 PRODUCT MARKED WITH AMP, PART NUMBER, TUBING DIAMETER 1.50 [38.10], WIRE DIAMETER 4/0-400 MCM, AND DATE CODE WITH .25 [6.35] HIGH CHARACTERS USING WHITE INK.
- 3 WEIGHT PER LINEAR FOOT .17 POUNDS/77.1 GRAMS.
- 4 OBSOLETE PARTS: OBSOLETE CIS STREAMLINING PER D.RENAUD/D.SINISI

4 OBSOLETE	300.00 - 312.00 [7620.00 - 7924.80]	608953-3
	48.00 - 49.00 [1219.20 - 1244.60]	608953-2
	12.00 ± .19 [304.80 ± 4.83]	608953-1
DIMENSION A		PART NO

SPECIFICATION CONTROL DRAWING

UNLESS OTHERWISE SPECIFIED DIMENSIONS ARE IN INCHES. METRIC DIMENSIONS ARE IN BRACKETS. DECIMALS .XXX ±.005 [0.13 mm] .XX ±.01 [0.25 mm] .X ±.1 [2.54 mm] ANGLES .X ± 0.5 DEG	DRAWN	UNGUYEN	17/12/03	tyco Tyco Electronics Corporation 300 Constitution Drive Menlo Park, CA. USA 94025 Raychem
	CHECKED			
	APPROVED	JKUSTER	17/12/03	TITLE AMPSULATION, FRHWP31 HEAT SHRINK TUBING 1.50 DIAMETER
	APPROVED			
CAD NAME R040121				SIZE B CODE IDENT. NO. 06090 DWG. NO. C-608953
THIRD ANGLE PROJECTION				DO NOT SCALE THIS DRAWING SHEET 1 OF 1