

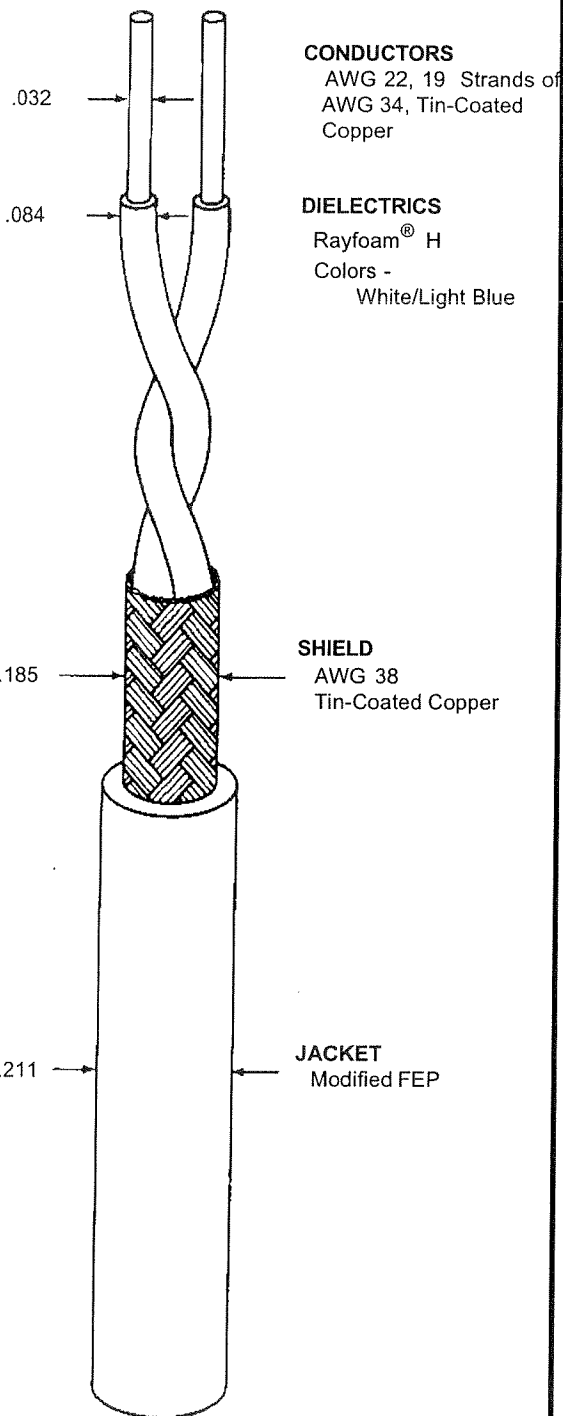
THIS SPECIFICATION SHEET FORMS A PART OF THE LATEST ISSUE OF RAYCHEM SPECIFICATION 1200.

**CONSTRUCTION DETAILS**

**ELECTRICAL CHARACTERISTICS**

DIMENSIONS ARE NOMINAL VALUES IN INCHES UNLESS OTHERWISE DESIGNATED.

CHARACTERISTIC IMPEDANCE	120 ± 18 ohms, Method C at 60 KHz
CAPACITANCE - MUTUAL	12.5 pF/ft. (nominal)
VELOCITY OF PROPAGATION	77% (nominal)



**CONDUCTORS**  
AWG 22, 19 Strands of  
AWG 34, Tin-Coated  
Copper

**DIELECTRICS**  
Rayfoam® H  
Colors -  
White/Light Blue

**SHIELD**  
AWG 38  
Tin-Coated Copper

**JACKET**  
Modified FEP

**ADDITIONAL REQUIREMENTS**

**ELECTRICAL**

CONDUCTOR RESISTANCE	14.8 ohms/1000 ft. (nominal)
INSULATION RESISTANCE	10,000 megohms (minimum) for 1000 ft.
JACKET FLAWS	
SPARK TEST	1.0 kV (rms)
IMPULSE TEST	6.0 kV, (peak)
VOLTAGE WITHSTAND (DIELECTRIC)	1000 volts (rms) (minimum)

**ENVIRONMENTAL**

FLAMMABILITY	Method B
HEAT SHOCK	225°C
LOW TEMPERATURE - COLD BEND	-55°C/6.00 inch mandrel
VOLTAGE WITHSTAND (POST ENVIRONMENTAL)	1000 volts (rms), 1 minute

**PHYSICAL**

INSULATION (DIELECTRIC) (Prior to cabling)	
ELONGATION	50% (minimum)
TENSILE STRENGTH	600 lb/in <sup>2</sup> (minimum)
JACKET	
ELONGATION	200% (minimum)
TENSILE STRENGTH	2000 lb/in <sup>2</sup> (minimum)
JACKET THICKNESS	.013 inch (nominal)
SHIELD COVERAGE	90% (minimum)

WEIGHT	27.8 lbs/1000 ft. (nominal)
--------	-----------------------------

Outer jacket will be transparent white (designated by a "-9X" appended to the part number, e.g., 2022E0421-9X) unless otherwise specified.  
Designate outer jacket color with a dash number in accordance with MIL-STD-681.