

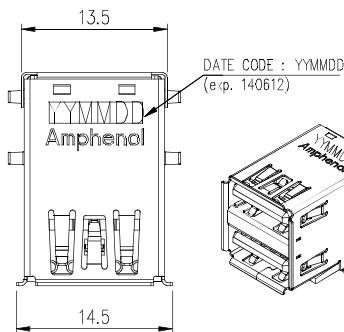
This document is the property of Amphenol Corporation and is delivered on the express condition that it not be disclosed, reproduced or used, in whole or in part, for manufacture or sale by anyone other than Amphenol Corporation without its prior consent, and that no right is granted to disclose or to use any information in this document.

The marking on this product doesn't contain environmental hazardous material and must follow one or more specifications per Material Specification SS-00259 for Sony GP compliant or per directive 2011/65/EC for RoHS compliant or per IEC 61249-2-21 for Halogen Free compliant.

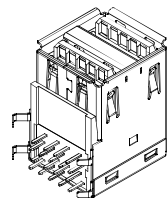
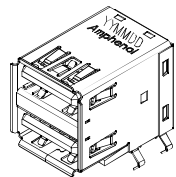
ORIGINAL

PART NUMBER:
GSB4 112 3 X X HR

REVISIONS				
SYM	ECN No.	DESCRIPTION	DATE	BY
A	NE-14119	RELEASE TO PRODUCTION	06/20/2014	Sondra Sang
B	NE-14133	MODIFIED TAIL LENGTH	07/10/2014	Sondra Sang



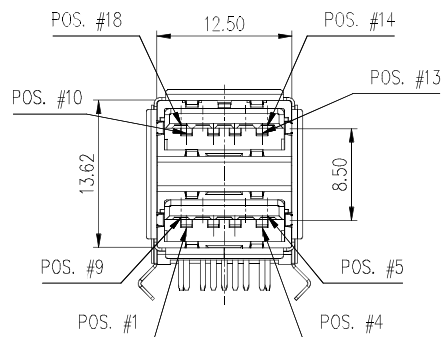
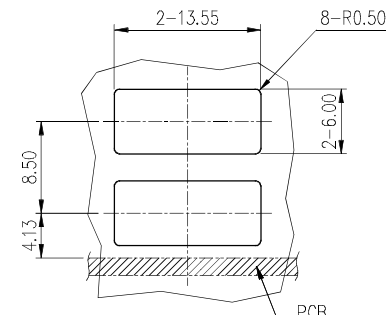
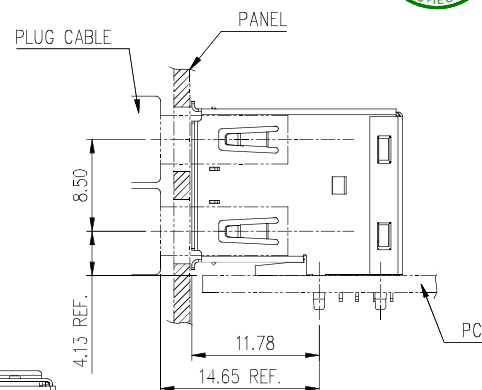
DATE CODE : YYMMDD
(e.g. 140612)



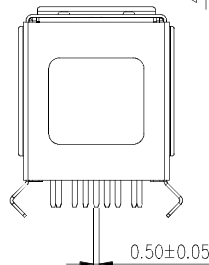
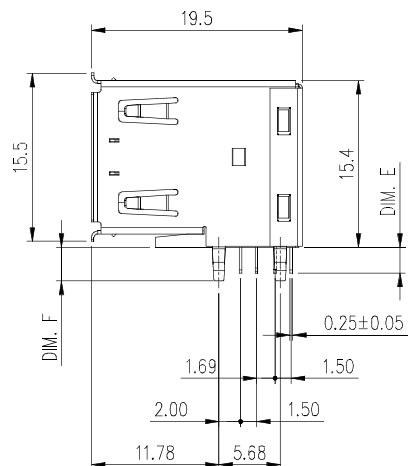
CONTACT FINISH
3: 30μ" GOLD

SOLDER TAIL LENGTH
2: 2.40mm (STANDARD)
3: 3.00mm

INSULATOR AND COLOR
1: LCP, Blue
3: LCP, Black
4: Nylon, Blue
6: Nylon, Black

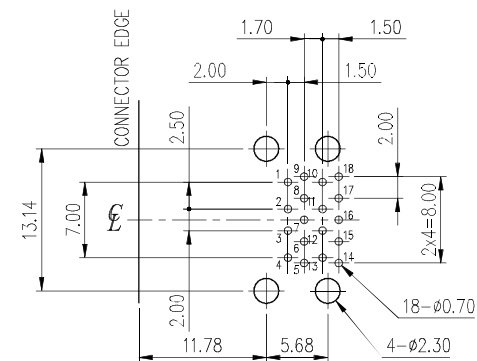


PART NO	DIM. E	DIM. F
GSB41123X2HR	2.4	3.0
GSB41123X3HR	3.0	3.5



PIN #	PIN #	SIGNAL NAME
1	10	vBUS
2	11	D-
3	12	D+
4	13	GND
5	14	SSRX-
6	15	SSRX+
7	16	GND_DRAIN
8	17	SSTX-
9	18	SSTX+
SHELL		SHIELD

PIN ASSIGNMENT



RECOMMENDED PCB LAYOUT- TOP VIEW
(GENERAL TOLERANCE: ±0.05)

NOTES:

- HOUSING: HIGH TEMPERATURE THERMOPLASTIC, UL 94V-0 OR 94H-B, COLOR- BLUE (PANTONE 300C) OR BLACK
- BOTTOM COVER: HIGH TEMPERATURE THERMOPLASTIC, UL 94V-0, COLOR- BLUE (PANTONE 300C) OR BLACK
- CONTACT: COPPER ALLOY, 0.25mm THICKNESS, 30μ" MIN. GOLD or 2μ" MIN. GOLD +30μ" MIN. Ni-Pd PLATED ON CONTACT AREA, 120μ" MIN. MATTE TIN PLATED ON SOLDERING TAIL, 80μ" MIN. NICKEL UNDER-PLATED OVERALL
- FRONT SHELL: STAINLESS STEEL, 0.25mm THICKNESS, 30μ" MIN. NICKEL PLATED OVER ALL
- MIDDLE SHELL: STAINLESS STEEL, 0.25mm THICKNESS,
- REAR SHELL: STAINLESS STEEL, 0.2mm THICKNESS,
- THIS PRODUCT DOESN'T CONTAIN ENVIRONMENTAL HAZARDOUS MATERIALS PER DIRECTIVE 2011/65/EC FOR RoHS AND PER IEC 61249-2-21 FOR HALOGEN FREE COMPLIANT.

TOLERANCE	APPROVALS	DATE	TITLE
X.X ±0.30	DRAWN Sondra Sang	7/10/2014	USB 3.1 CONNECTOR STANDARD A, STACKED, R/A DIP TYPE
X.XX ±0.20	CHECKED Chenny Yeh	7/10/2014	
X.XXX ±0.10	APPROVED Hank Hsu	7/10/2014	
ANGULAR ±1°	DWG TYPE CUST DWG	PROJECT CODE T510	
UNLESS OTHERWISE SPECIFIED			

UNIT mm		SIZE A3	PART No. GSB4 112 3X XHR	
SCALE NA		SHEET 1 OF 1	DWG No. GSB41123XXHR	
			REV. B	

Amphenol®
Amphenol Corporation
Amphenol Taiwan Corporation