

VSC7448

52-Port L2/L3 Enterprise Gigabit Ethernet Switch with 10 Gbps Links

Microsemi's next generation switch family delivers a flexible Enterprise and Industrial Ethernet solution.

The VSC7448 SparX-IV-80™ device is an 80 Gbps SMB/SME Industrial Ethernet switch with up to 52 ports supporting a combination of 1G, 2.5G, and 10G Ethernet ports.

The device provides a rich set of Enterprise Ethernet switching features. Using multistage Versatile TCAM technology (VCAP™), it delivers VLAN and QoS processing that enables delivery of differentiated services, security through intelligent frame processing, and egress frame manipulation.

For industrial applications, VSC7448 integrates VeriTime™, Microsemi's patent-pending distributed timing technology that delivers the industry's most accurate IEEE 1588v2 timing implementation.

A powerful 500 MHz CPU enables full management of a Layer 2 and Layer 3 Ethernet switch solution.

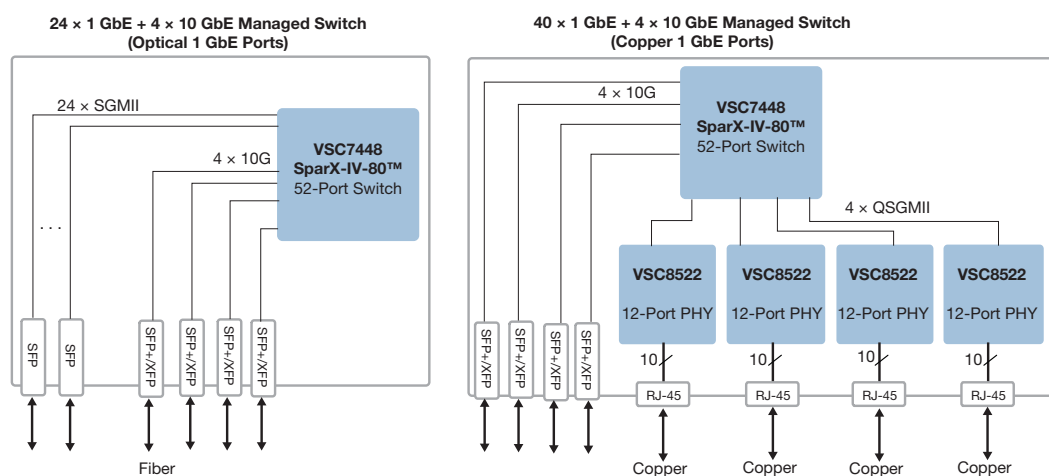
A comprehensive application programming interface (API) and software development package accelerates time-to-market for managed Ethernet applications. The software API package integrates easily with third-party software, preserving existing software investments.

Highlights

- Up to 48 × 1G, 24 × 2.5G, and 4 × 10G Ethernet ports
- Fully managed L2 switching and L3 forwarding features
- Industrial temperature range
- Easy upgrade within SparX-IV family to higher bandwidth including 10 GbE port support

Applications

- Fully managed L2/L3 switch
- Industrial Ethernet switch



VSC7448

52-Port L2/L3 Enterprise Gigabit Ethernet Switch with 10 Gbps Links

Features

- Main port configurations: 36 × 1G SGMII, 12 × QSGMII, 4 × 10G (SFI/XAUI/RXAUI), 24 × 2.5G SGMII
- Additional 10/100/1000 Mbps SGMII/SerDes node processor
- Integrated 500 MHz MIPS 24KEc CPU with MMU and DDR3/DDR3L SDRAM controller
- PCIe 1.x CPU interface
- Internal shared memory buffer (8 queues per port)
- Jumbo frame support
- Strict priority and DWRR scheduler/shaper

Layer 2 Switching and Layer 3 Forwarding

- 802.1Q VLAN switch with 32K MACs and 4K VLANs
- Push/pop/translate up to three VLAN tags on ingress and egress
- Policing with storm control and MC/BC protection
- RSTP and MSTP support
- Independent and shared VLAN learning (IVL, SVL)
- Hardware- and software-based learning
- TCAM-based classification and VCAP-II security
- Layer 3 unicast and multicast routing

Multicast

- Layer 2
- IPv4 and IPv6
- IGMP and MLD

Industrial Ethernet

- Integrated timing: VeriTime™ (1588v2) and SyncE support
- Ethernet ring protection switching (ERPS)

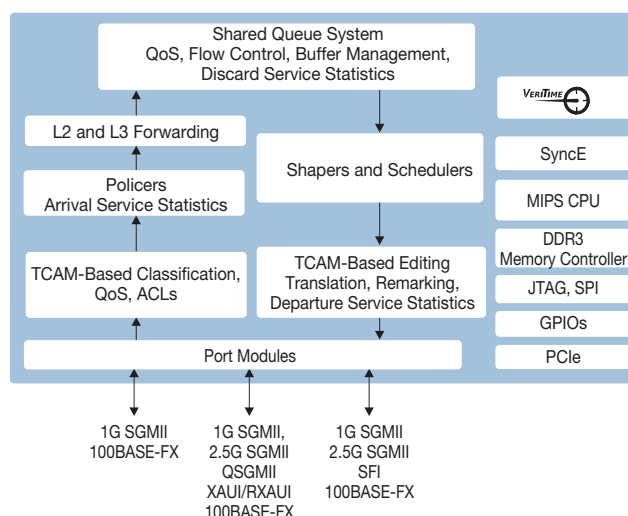
Key Specifications

- 27 mm × 27 mm FCBGA
- -40 °C to 110 °C operating temperature

Related Products

Visit www.microsemi.com for information about these related products:

- SparX-III nonstackable GbE switches with integrated copper PHYs
- VSC8512 and VSC8522 12-port copper PHYs
- Unified API, WebStaX™, and SMBStaX™ software



Microsemi Corporate Headquarters
 One Enterprise, Aliso Viejo, CA 92656 USA
 Within the USA: +1 (800) 713-4113
 Outside the USA: +1 (949) 380-6100
 Sales: +1 (949) 380-6136
 Fax: +1 (949) 215-4996
 email: sales.support@microsemi.com
www.microsemi.com

Microsemi Corporation (Nasdaq: MSCC) offers a comprehensive portfolio of semiconductor and system solutions for communications, defense and security, aerospace, and industrial markets. Products include high-performance and radiation-hardened analog mixed-signal integrated circuits, FPGAs, SoCs, and ASICs; power management products; timing and synchronization devices and precise time solutions; voice processing devices; RF solutions; discrete components; enterprise storage and communications solutions, security technologies, and scalable anti-tamper products; Ethernet solutions; Power-over-Ethernet ICs and midspans; custom design capabilities and services. Microsemi is headquartered in Aliso Viejo, California, and has approximately 4,800 employees worldwide. Learn more at www.microsemi.com.