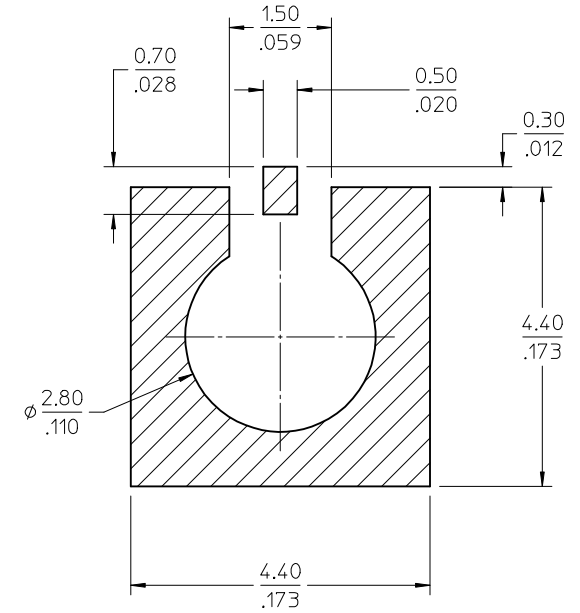
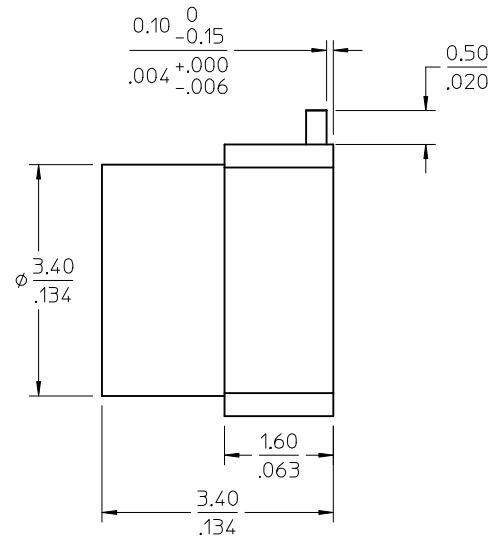
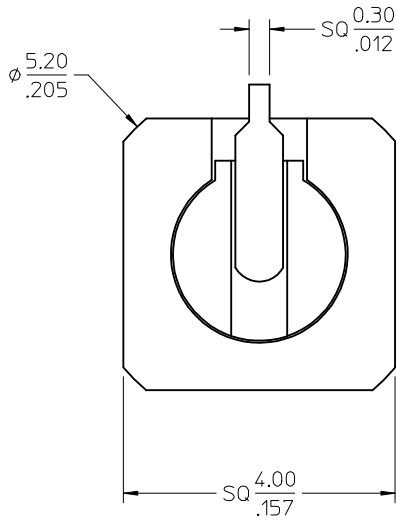
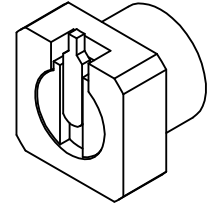


MATERIALS AND FINISHES:

OUTER CONTACT, CENTER CONTACT: BRASS  
 FINISH: GOLD OVER NICKEL PHOSPHOR

INSULATOR: TEFLON



PCB LAYOUT  
 HATCHED AREA IS SOLDER PAD

73300-0092	TAPE AND REEL WITH KAPTON TAPE
73300-0091	TAPE AND REEL (1500 PCS)
73300-0090	SMPM PLUG FULL DETENT INTERFACE (TRAY)
PART NO.	DESCRIPTION

MIL-STD-348A, FIG. 328.2	INTERFACE
SPECIFICATION	DESCRIPTION

CHG: UPDATE INS CONTACT VIEWS EC NO: URF2015-0122 DRWN: JLEE02 CHKD: SSS APPR: WSP/INK 2014/09/12 2014/09/12 2014/09/16	QUALITY SYMBOLS ▽=0 ▽=0	GENERAL TOLERANCES (UNLESS SPECIFIED) mm INCH 4 PLACES ± --- ± --- 3 PLACES ± --- ± --- 2 PLACES ± --- ± --- 1 PLACE ± --- ± --- ANGULAR ± 2°	DIMENSION STYLE MM/IN DRAWN BY DATE JLEE02 2011/08/02 CHECKED BY DATE SSS 2011/08/02 APPROVED BY DATE JWIENER 2011/08/08	SCALE DESIGN UNITS METRIC THIRD ANGLE PROJECTION	TITLE SMPM, PLUG VERTICAL PCB FULL DETENT, SMT 50 OHM EWR-4767, SMPM-PCB	MOLEX INCORPORATED	MATERIAL NO. SEE TABLE	DOCUMENT NO. SD-73300-009	SHEET NO. 1 OF 1
B1	REV								