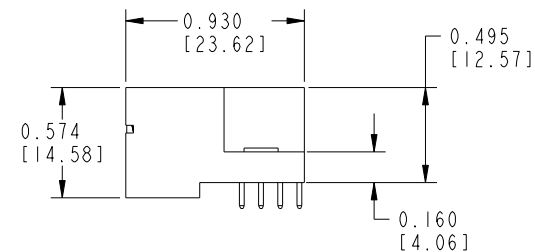
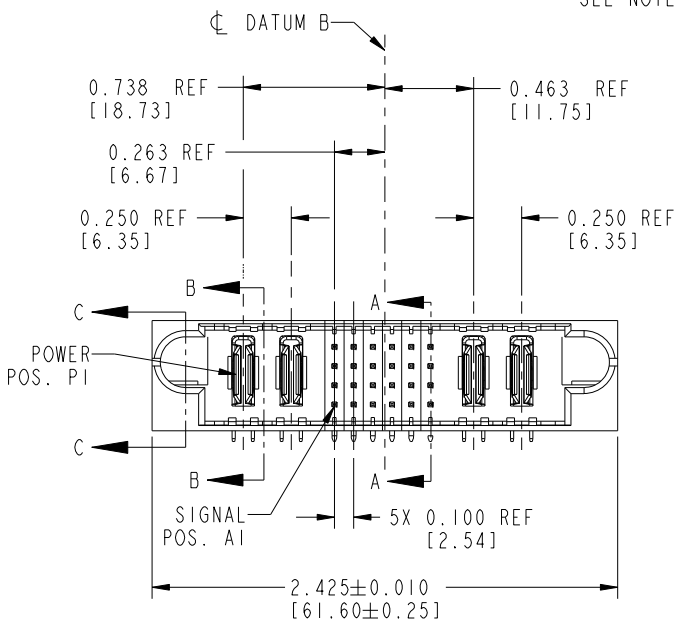
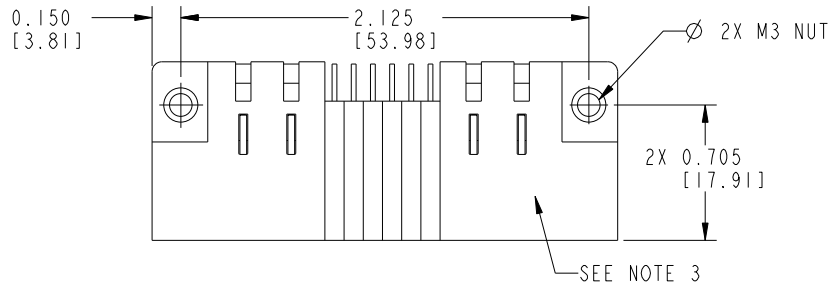
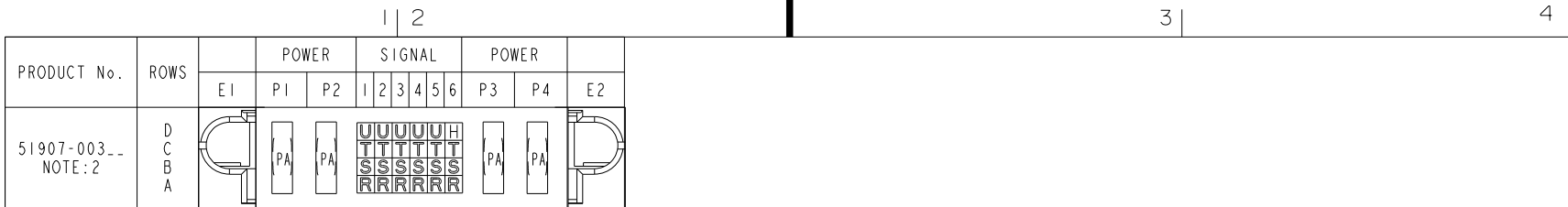


Tous droits strictement réservés. Reproduction ou communication a des tiers interdite sous quelque forme que ce soit sans autorisation écrite du propriétaire. Propriété de c FCI. Droits de reproduction FCI.



All rights strictly reserved. Reproduction or issue to third parties in any form whatever is not permitted without written authority from the proprietor. Property of FCI. Copyright FCI.



CODE	DIM "M" MATING LENGTH	CONTACT TYPE
H	0.220 [5.59]	SIGNAL
R	0.270 [6.86]	SIGNAL
S	0.270 [6.86]	SIGNAL
T	0.270 [6.86]	SIGNAL
U	0.270 [6.86]	SIGNAL
PA	N/A [N/A]	POWER

NOTE 1				tolerances unless otherwise specified	
lir	ecn no.	dr	date	linear	.XX±.01/0.X±0.3
A	V04-1113	TAB	11/15/04		.XX±.005/0.XX±0.13
B	DG05-0336	CS	09/19/05		.XXX±.0020/0.XXX±0.051
C	DG06-0005	JMG	01/06/06	angles	0°±2°
D	DG08-0266	W D	09/22/08	dr	T. BRUNGARD 11/15/04
				enrg	M. GRAY 11/15/04
				chr	M. GRAY 11/15/04
				appd	M. GRAY 11/15/04
sheet index	revision sheet	D 1	D 2	D 3	

CUSTOMER COPY	projection	INCH/MM	scale
			1:1

		www.fciconnect.com	
title 2P +24S +2P RIGHT ANGLE SOLDER HEADER			
product family PwrBlade		code 213	
size A	dwg no 51907-003	sheet 1 of 3	

A

A

B

B

1 | 2

3 |

4

Pro/E

PDM: Rev: D

STATU: Released

Printed: Dec 20, 2010

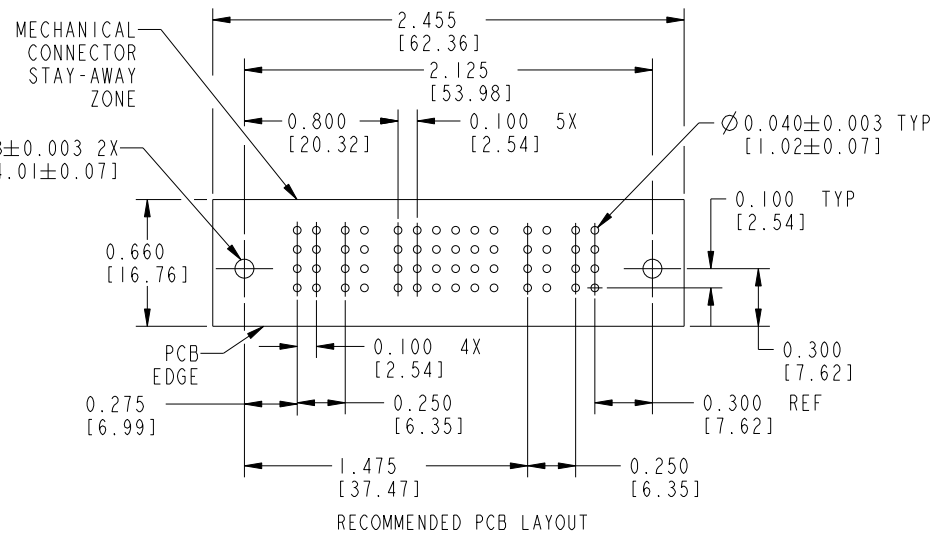
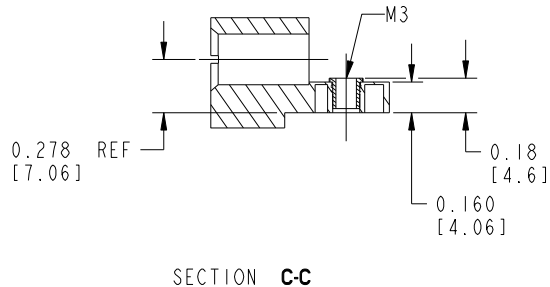
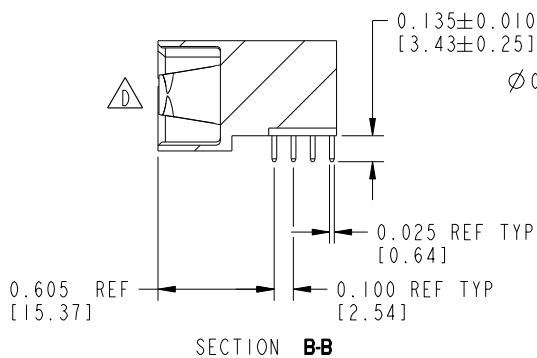
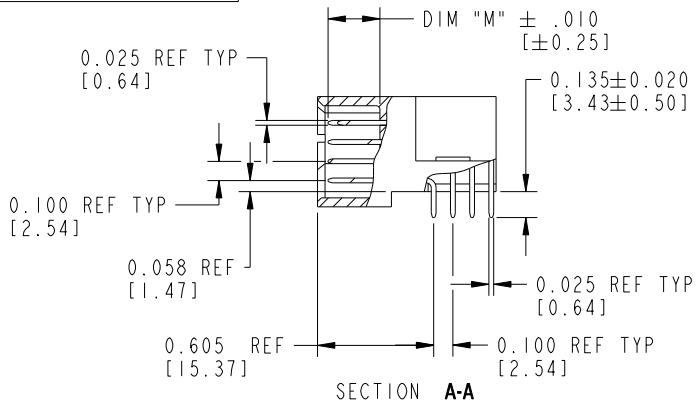
cage code 28516

Tous droits strictement réservés. Reproduction ou communication a des tiers interdite sous quelque forme que ce soit sans autorisation écrite du propriétaire. Propriété de c FCI. Droits de reproduction FCI.

All rights strictly reserved. Reproduction or issue to third parties in any form whatever is not permitted without written authority from the proprietor. Property of FCI. Copyright FCI.



PRODUCT NUMBER
51907-003--
NOTE:2



mat'l code		NOTE 1		tolerances unless otherwise specified		CUSTOMER COPY		FCI www.fciconnect.com	
lfr	ecn no.	dr	date	linear	.XX±.01/0.X±0.3	projection	title 2P +24S +2P RIGHT ANGLE SOLDER HEADER		
D				angles	.XXY±.005/0.XX±0.13 .XXX±.0020/0.XXX±0.051	INCH/MM	product family	PwrBlade	code
				dr	T. BRUNGARD 11/15/04	scale	size	dwg no	sheet
				enrg	M. GRAY 11/15/04	1:1	A	51907-003	213
				chr	M. GRAY 11/15/04				2 of 3
				appd	M. GRAY 11/15/04				
sheet index	revision sheet								

Pro/E

PDM: Rev:D

STATUS: Released

Printed: Dec 20, 2010

cage code 22516



1 | 2

3 |

4

PRODUCT NUMBER
51907-003--
NOTE:2

CONNECTOR NOTES:

1. HOUSING MATERIAL: UL 94 V-0 GLASS FILLED HIGH TEMP THERMOPLASTIC
POWER CONTACT MATERIAL: COPPER ALLOY
SIGNAL CONTACT MATERIAL: COPPER ALLOY
M3 NUT MATERIAL: BRASS ALLOY
- $\triangle D$ 2. SEE ITEM 1 & 2 IN PRINT 10064183 FOR PLATING SPEC OF 51907-003 AND 51907-003LF RESPECTIVELY.v
3. "MANUFACTURER'S" NAME, P/N, AND DATE CODE TO APPEAR ON THIS SURFACE
4. PRODUCT SPECIFICATION GS-12-149

PCB NOTES:

5. ALL DIMENSIONS ARE BASIC UNLESS OTHERWISE SPECIFIED.
6. ALL THROUGH HOLES ARE LOCATED WITH A TRUE POSITION OF 0.004 [0.10]
7. ALL HOLE DIAMETERS ARE FINISHED HOLE SIZE
8. $\varnothing 0.158[4.01]$ THROUGH HOLES ARE UNPLATED.
9. $\varnothing 0.0453 \pm 0.0010$ [1.151 ± 0.025] DRILLED HOLES PLATED WITH 0.0003 [0.008] MIN SnPb OVER 0.001 [0.03] TO 0.003 [0.08] Cu PLATING TO ACHIEVE A $\varnothing 0.040 \pm 0.003$ [1.02 ± 0.07] HOLE.
10. $\triangle D$ SYMBOL WILL BE NEXT TO ANY DIMENSION, VIEW, OR NOTE WHICH HAS BEEN MODIFIED WITH THE CURRENT DRAWING REVISION.

A

A

B

B

mat'l code		SEE NOTES		tolerances unless otherwise specified		CUSTOMER		FCI	
ltr	ecn no.	dr	date	linear	.XX±.01/0.X±0.3	COPY		www.fciconnect.com	
D				projection	.XXX±.005/0.XX±0.13	INCH/MM		title	
				angles	.XXX±.002/0.XXX±0.051	1:1		2P +24S +2P	
				dr	0°±2°	scale		RIGHT ANGLE SOLDER HEADER	
				enr	T. BRUNGARD 11/15/04	A		product family	
				chr	M. GRAY 11/15/04	51907-003		PwrBlade	
				appd	M. GRAY 11/15/04	size		code	
sheet index	revision sheet					dwg no		213	
						3 of 3			

1 | 2

Pro/E

PDM: Rev:D

STATUS: Released

Printed: Dec 20, 2010

cage code 2856

4