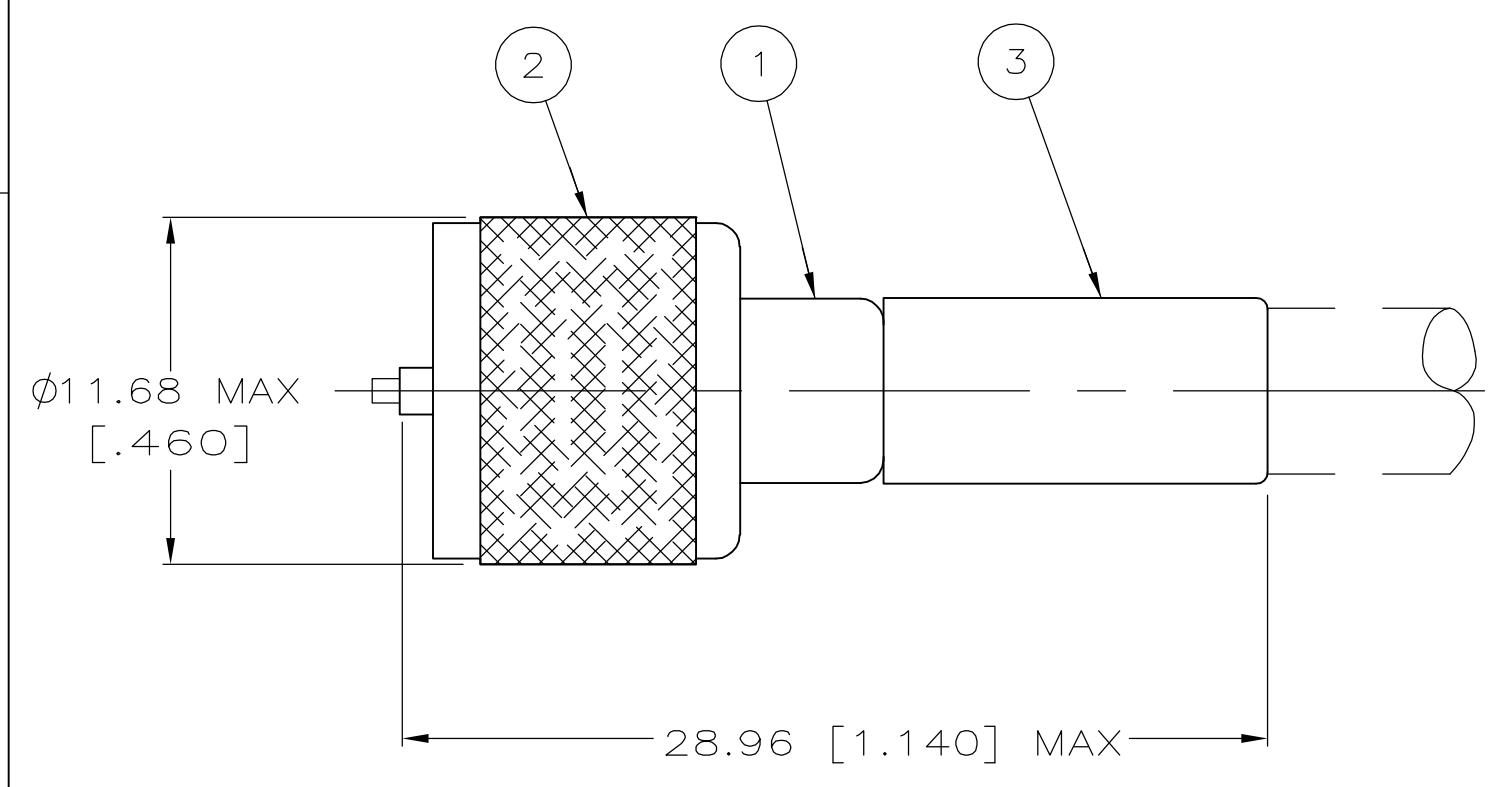
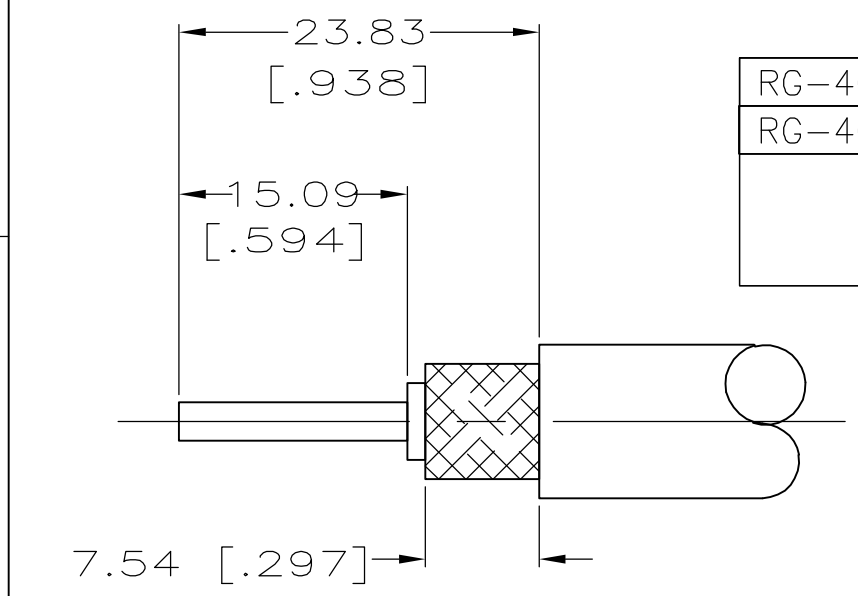


THIS DRAWING IS UNPUBLISHED. RELEASED FOR PUBLICATION
 © COPYRIGHT - BY TYCO ELECTRONICS CORPORATION. ALL RIGHTS RESERVED.

LOC	DIST	REVISIONS					
AJ	16	P	LTR	DESCRIPTION	DATE	DWN	APVD
			01	REV PER ECO 06-001649	12APR06	GB	GM



1. USE CRIMPING TOOL: PRO-CRIMPER WITH DIE SET 58494-1 OR DIE HOLDER 764593-1 WITH DIE SET 58494-1 IN CONJUNCTION WITH PNEUMATIC TOOLS, 314281-1, 314700-1, 314590-1, 314590-2, OR 856402-1



RG-400/U, RG-142/U & RG-223/U	9-221132-4	226598-2	9-226603-1	5228664-2
RG-400/U, RG-142/U & RG-223/U	9-221132-4	226598-2	9-226603-0	5228664-1
FOR USE WITH CABLE	3 FERRULE QTY=1	2 COLLAR QTY=1	1 PLUG ASSY QTY=1	PART NO

RECOMMENDED STRIP LENGTH

THIS DRAWING IS A CONTROLLED DOCUMENT.		DWN A. FERNANDEZ-DOCK5 03FEB2005	Tyco Electronics Corporation Harrisburg, PA 17105-3608	
DIMENSIONS: INCHES	TOLERANCES UNLESS OTHERWISE SPECIFIED:	CHK J. HAVENER 03FEB2005	NAME PLUG, MINIATURE UHF	
	0 PLC ± -	APVD J. LIPPERT 03FEB2005	PRODUCT SPEC	
	1 PLC ± -		APPLICATION SPEC	
	2 PLC ± -		SIZE	CAGE CODE
	3 PLC ± 0.41 [.016]		A3	00779
	4 PLC ± -		DRAWING NO	C=5228664
	ANGLES ± -		RESTRICTED TO	
MATERIAL	FINISH	WEIGHT	-	
-	-	-	RESTRICTED CUSTOMER	
			SCALE	4:1
			SHEET	1 OF 1
			REV	01