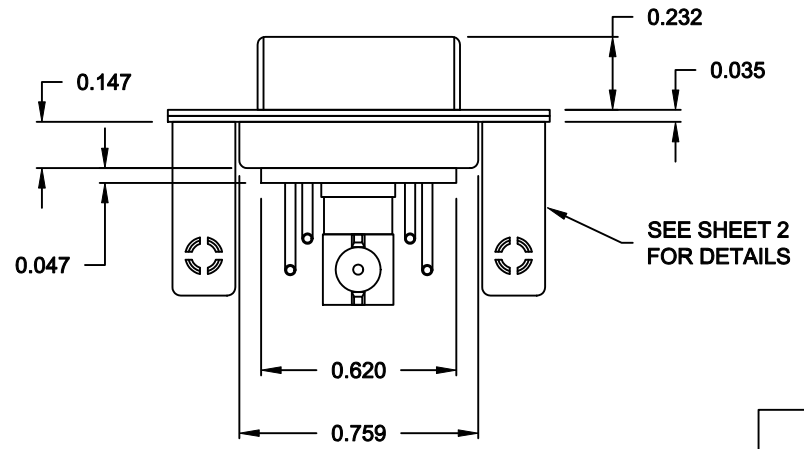
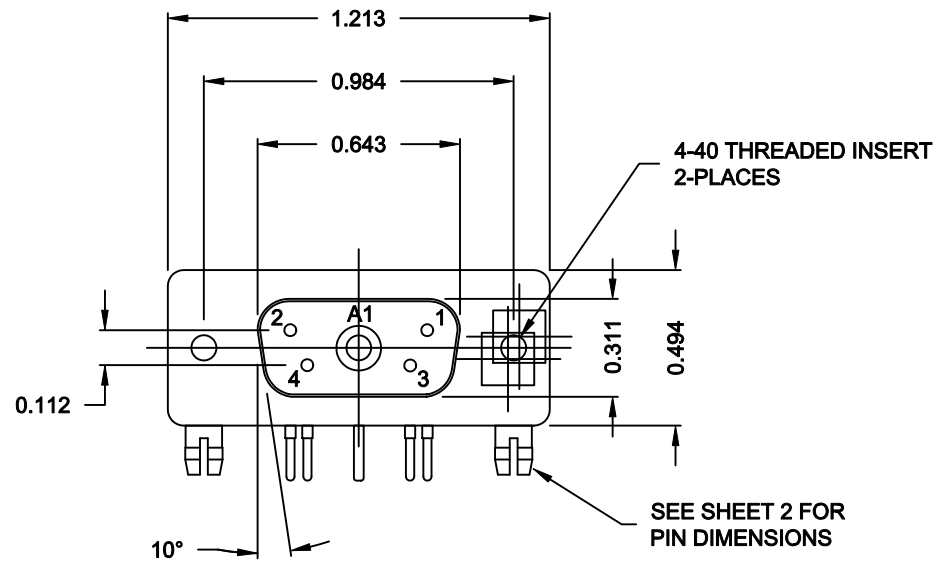


DESCRIPTION: COAXIAL / SIGNAL - RIGHT ANGLE - FEMALE



SPECIFICATIONS:

ELECTRICAL:
 INSULATOR RESISTANCE: 5,000 MegOHMS Min.
 DIELECTRIC WITHSTANDING: 1,000VAC r.m.s.
 OPERATING TEMPERATURE: -55° C ~ +125° C
 CONTACT RESISTANCE: 30 MillioHMS Max.
 COAXIAL PINS: 50 OHM
 SIGNAL PINS: 5 AMPS

MECHANICAL:
 CONTACT INSERTION FORCE: 4.5 Kg Max.
 CONTACT SEPARATOR FORCE: 0.3Kg Min.


MATERIALS:
 CONTACTS: BRASS
 INSULATOR: PBT UL94V-0 RATED, 230°C PROCESS TEMP.
 SHELL: STEEL

FINISH:
 SHELL: NICKEL

6855W1203L461

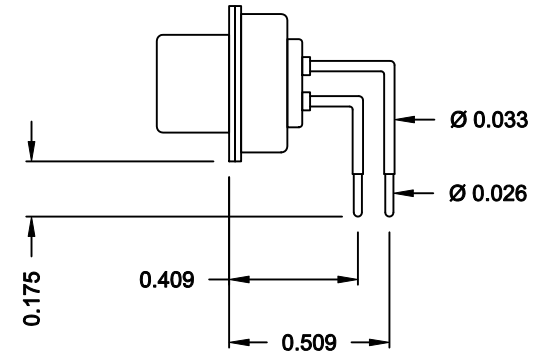
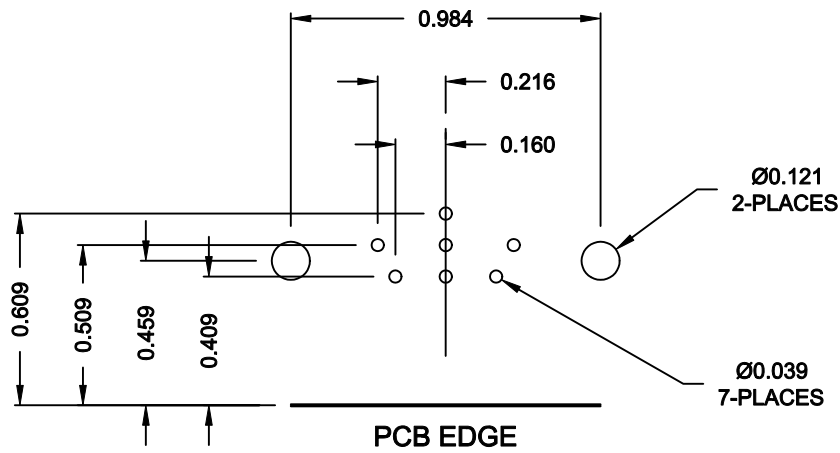
46 = 4-40 INSERTS / BOARD LOCKS

RoHS COMPLIANT

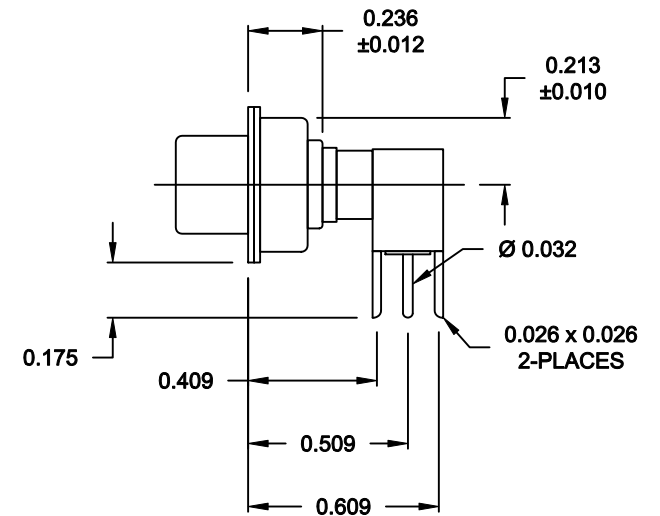
| | | | | |
|--|---|------------------------------|----------------------------|-----------------------|
|  | THESE DRAWINGS AND SPECIFICATIONS ARE THE PROPERTY OF NorComp AND SHALL NOT BE REPRODUCED, COPIED OR USED AS THE BASIS FOR THE MANUFACTURE OR SALE OF APPARATUS WITHOUT WRITTEN PERMISSION. | | DRAWN: C. SMITH | DATE: 10-11-06 |
| | | | CHECKED: | DATE: |
| NorComp | | SCALE: 1.5 = 1 | SHEET 1 OF 2 | REV 2 |
| | | DWG NO. 6855W1203L461 | | |

DESCRIPTION: 685 SERIES CONTACTS

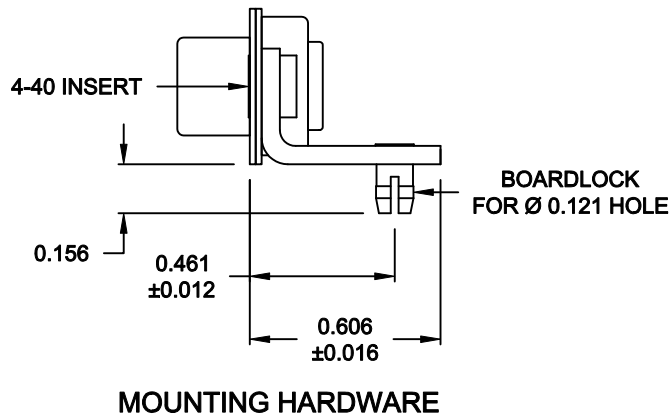
NOTE:
POWER CONTACTS COME
PRE-LOADED INTO INSULATORS




SIGNAL CONTACTS



50 OHM COAXIAL CONTACT



RoHS COMPLIANT

| | | | | |
|--|---|------------------------------|----------------------------------|--------------------------|
|  | THESE DRAWINGS AND SPECIFICATIONS ARE THE PROPERTY OF NorComp AND SHALL NOT BE REPRODUCED, COPIED OR USED AS THE BASIS FOR THE MANUFACTURE OR SALE OF APPARATUS WITHOUT WRITTEN PERMISSION. | | DRAWN: C. SMITH | DATE: 10-11-06 |
| | | | CHECKED: | DATE: |
| <h1>NorComp</h1> | | SCALE: 1.5 = 1 | SHEET 2 OF 2 | REV 2 |
| | | DWG NO. 6855W1203L461 | | |