

THIS COPY IS PROVIDED ON A RESTRICTED BASIS AND IS NOT TO BE USED IN ANY WAY DETRIMENTAL TO THE INTERESTS OF PANDUIT CORP.

PANDUIT PART NUMBER	STUD SIZE	DIMENSIONS in.				
		A ±.030	W ±.010	C ±.020	M ±.030	H ±.010
PN12-6HDR-2K	#6	1.02 (25.91)	.31 (7.87)	.31 (7.87)	.86 (21.84)	.15 (3.81)
PN12-8HDR-2K	#8	1.02 (25.91)	.31 (7.87)	.31 (7.87)	.86 (21.84)	.17 (4.32)
PN12-10HDR-2K	#10	1.05 (26.67)	.38 (9.65)	.31 (7.87)	.86 (21.84)	.20 (5.08)
PN12-14HDR-2K	1/4"	1.20 (30.48)	.52 (13.21)	.38 (9.65)	.94 (23.88)	.27 (6.86)
PN12-56HDR-2K	5/16"	1.20 (30.48)	.52 (13.21)	.38 (9.65)	.94 (23.88)	.33 (8.38)
PN12-38HDR-2K	3/8"	1.28 (32.51)	.58 (14.73)	.38 (9.65)	.98 (24.89)	.39 (9.91)

NOTES :

- UL LISTED AND CSA CERTIFIED FOR :
  - 600 V MAX. VOLTAGE RATING
  - 221°F (105°C) MAX. TEMP. RATING
  - #16-12 AWG (1.5-4.0 mm<sup>2</sup>) SOLID OR STRANDED, COPPER WIRE
- PACKAGE QTY. : 2K = 2000 PCS.  
CONTINUOUS MOLDED CARRIER STRIP
- MATERIAL :
  - STAMPING - .05" THK COPPER, TIN PLATED
  - HOUSING - YELLOW NYLON
  - SLEEVE - BRASS, TIN PLATED
- DIMENSIONS IN BRACKETS ARE IN MILLIMETERS
- INSTALLATION TOOLS :
  - PRESSES - CP-851, CP-860, CP-861
  - APPLICATOR - CA-800
  - DIE INSERTS - CD-800-3

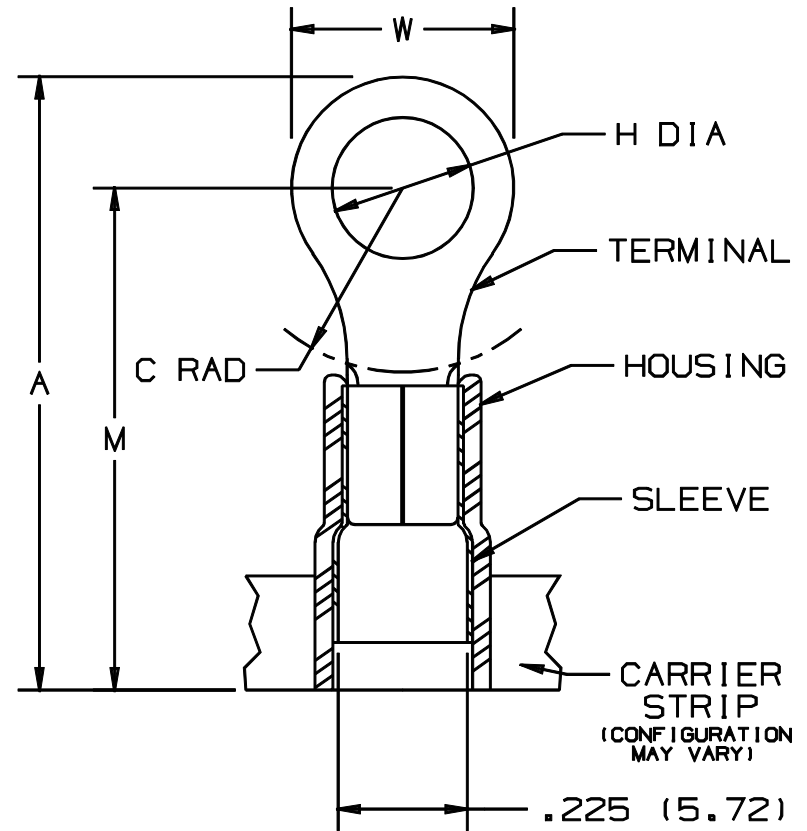
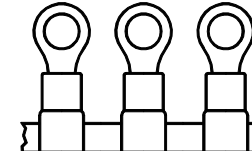
6. WIRE STRIP LENGTH:  $9/32^{+1.32}_{-0}$  ( $7.1^{+0.8}_{-0}$ )



LISTED  
587H  
E52164



CERTIFIED  
LR31212



.225 (5.72)  
MAX WIRE  
INSUL DIA  
.130 (3.30)  
MIN. WIRE  
INSL. DIA.

A41097\_04

04	12/00	ED		FILESPEC WAS: N41097AA_PCD_03				<p>PANDUIT CORP. TINLEY PARK, ILLINOIS</p> <p>TERMO 3PC. CONTINUOUSLY MOLDED NYLON INSULATED, 16-12 BARREL, HEAVY DUTY RINGS</p>
03	12/96	JAMB		ADDED DIM., "MIN. WIRE INSUL. DIA."				
02	9/96	TSM	RLS	REVISE DIMS AND TOLERANCES, ADD NOTE #6	050B2	LA	DBH	
				ORIGINAL FILE SPEC WAS A41097A				
REV	DATE	BY	CHK	DESCRIPTION	ECN	CUST	PM	DRAWN BY JMV Ck'D LA SCALE NONE DRAWING NO. A41097